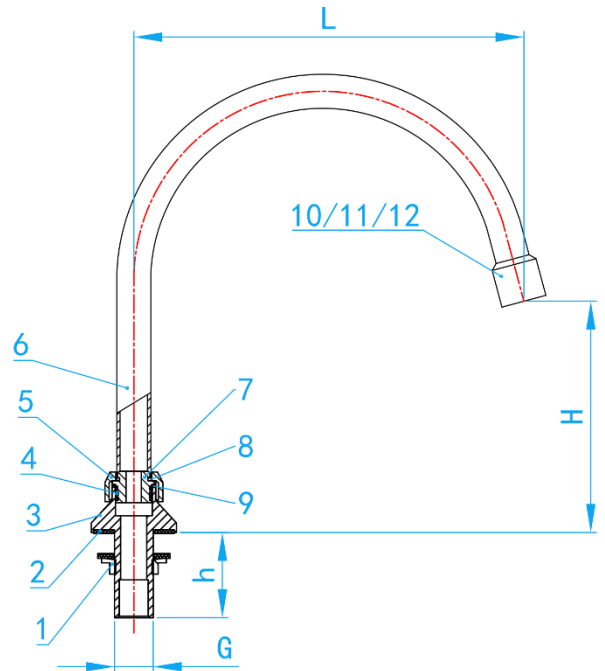
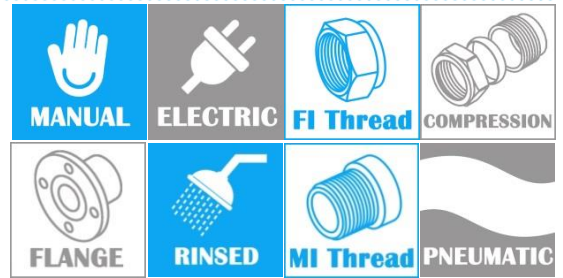


SPOUT FOR THE SINK



SECTION VIEW

COMPONENT PARTS

ITEM	PARTS	MATERIAL
1.	Nut	Brass
2.	Washer	NBR
3.	Body	Brass
4.	O-ring	NBR
5.	Hex Nut	Brass
6.	Pipe	Brass
7.	Connector	Brass
8.	Gasket	PTFE
9.	Gasket	PTFE
10.	Gasket	Silica Gel
11.	Outlet Pressure Ring	Brass
12.	Bubbler	ABS

STANDARD SPECIFICATIONS

Nominal pressure	0.6MPa
Working Medium	Water
Working Temperature	0°C ≤ t ≤ 90 °C

STANDARD SPECIFICATIONS

SKU	G (inch)	L (mm)	H (mm)	h (mm)	WEIGHT (kg)	PCS/CTN
DATNG747	1/2"	206	122	45	0.7	20