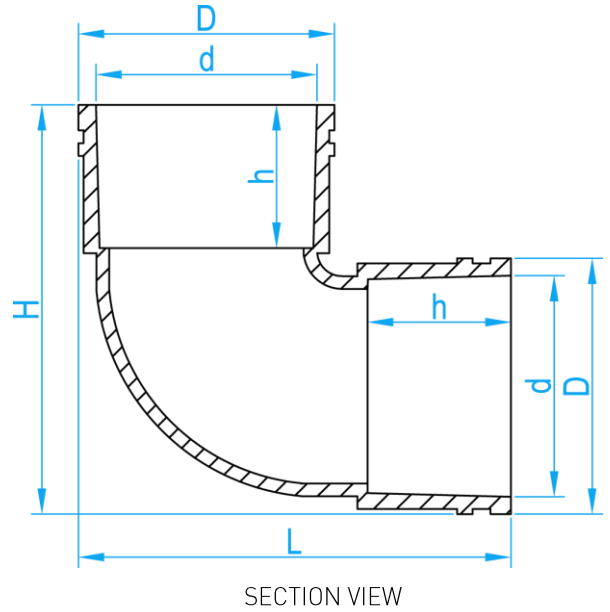


# UPVC 88DEG ELBOW



STANDARD SPECIFICATIONS

SKU	d (mm)	D (mm)	h (mm)	H (mm)	L (mm)	WEIGHT (kg)	PCS/CTN
213B9040N	43.2	50.0	28	80	84	0.053	100