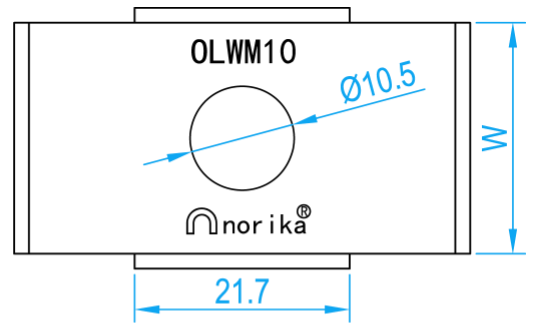
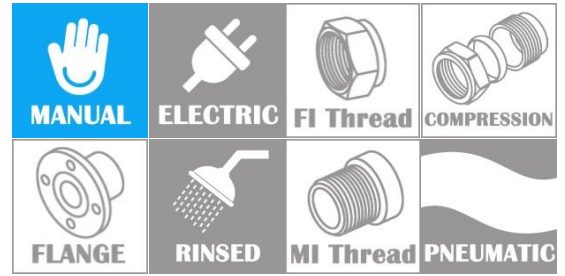
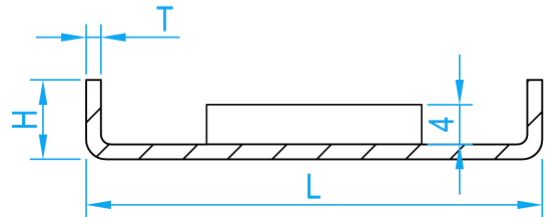


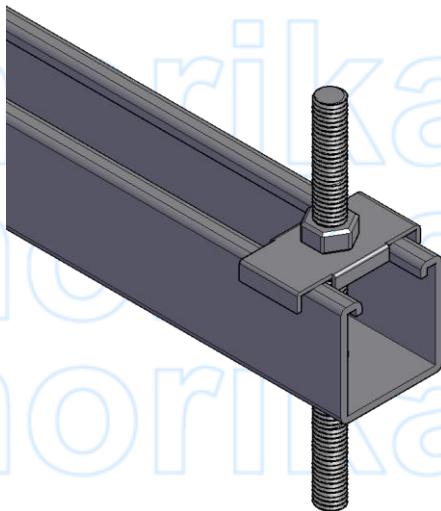
# UNISTRUT HOLDING BRACKET



TOP VIEW



CROSS SECTIONAL VIEW



INSTALLATION ASSEMBLY

## COMPONENT PARTS

MATERIAL	Mild Steel
COATING	Cold Galvanized

## DIMENSIONS

SKU	W (mm)	H (mm)	L (mm)	T (mm)	WEIGHT (kg)	PCS/CTN
OLHB21	23.3	7	50	1.5	0.017	1000