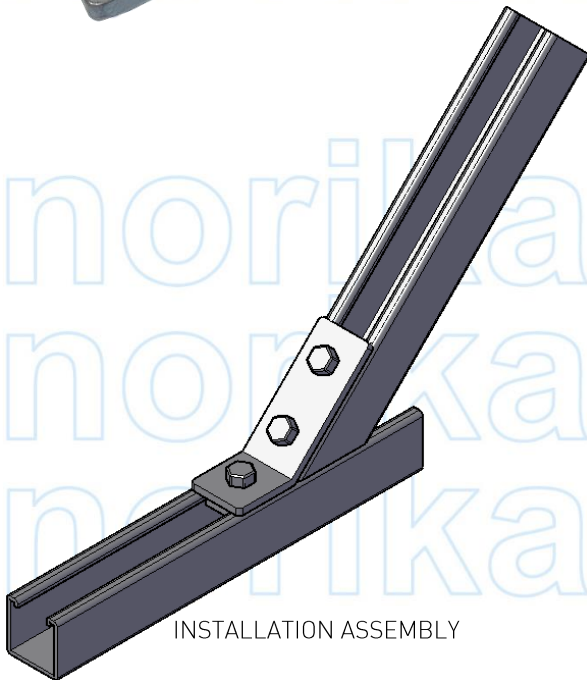
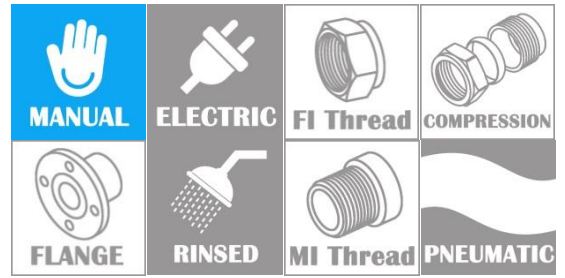
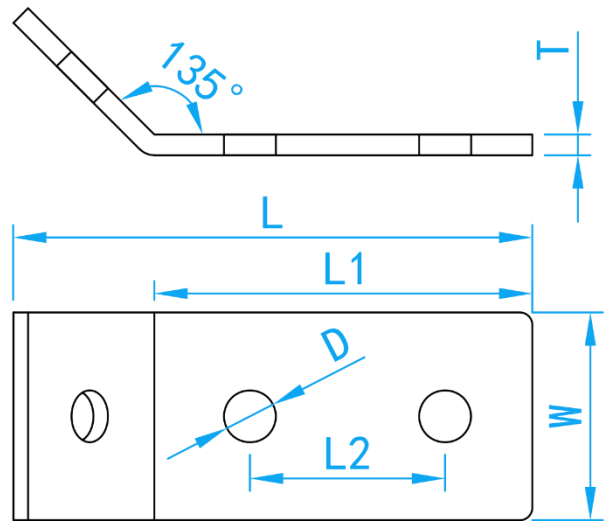


UNISTRUT 45° MOUNTING BRACKET



INSTALLATION ASSEMBLY



SIDE VIEW

COMPONENT PARTS

MATERIAL	Mild Steel
COATING	Cold Galvanized

DIMENSIONS

SKU	L (mm)	L1 (mm)	L2 (mm)	W (mm)	D (mm)	T (mm)	WEIGHT (kg)	PCS/CTN
OLSBA09045	125	91	47	40	12.5	5	0.192	100