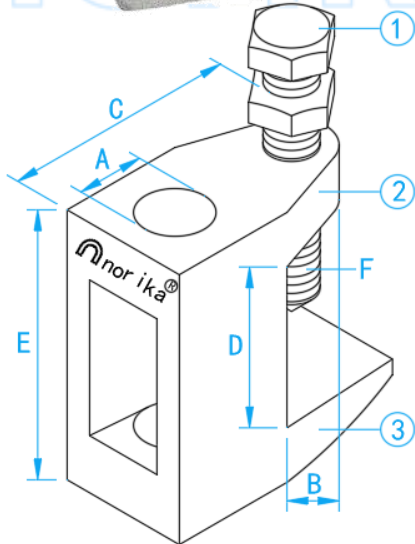
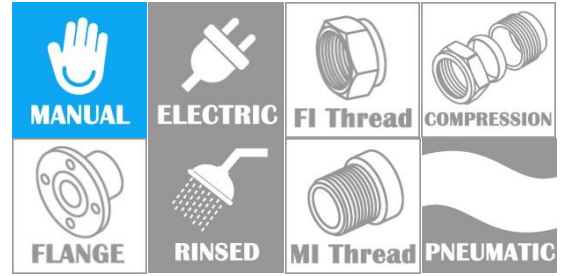


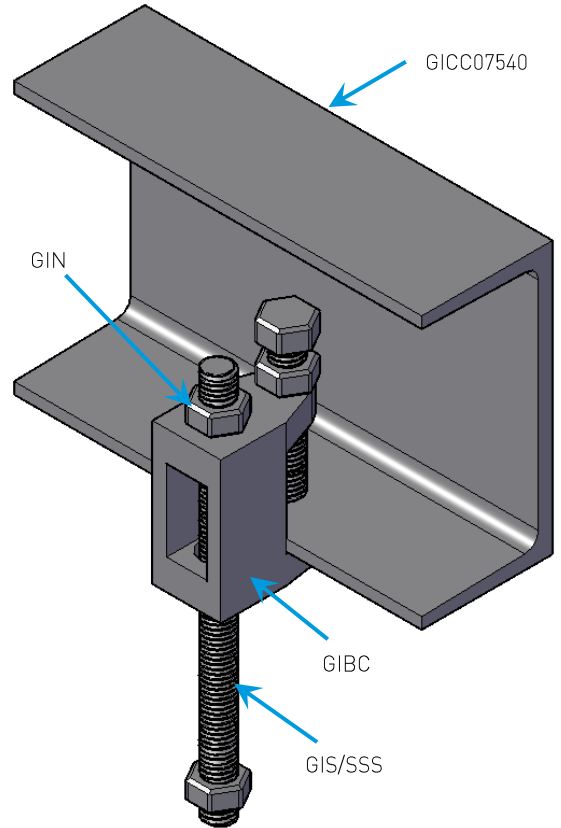
UNISTRUT GALVANIZED IRON BEAM CLAMP



3-D VIEW

APPLICATION:

For attachment to the top flange of structural shapes or for use under roof installations with bar joist type construction where the thickness of flange or joist does not exceed 5/8".



INSTALLATION ASSEMBLY

COMPONENT PARTS

ITEM	PARTS	MATERIAL
1.	Bolt	Mild Steel
2.	Body	Mild Steel
3.	Finishing	Cold Galvanized

STANDARD SPECIFICATIONS

SKU	A	B (mm)	C (mm)	D (mm)	E (mm)	F (inch)	MAX REC LOAD (kg)	WEIGHT (kg)	PCS/CTN
GIBC38	3/8" 10mm	24	43	17	40	3/8"	500	0.153	100
GIBC38B (BIG MOUTH)	3/8" 10mm	21	44	32	52	3/8"	500	0.265	100
GIBC12B (BIG MOUTH)	1/2" 13mm	21	44	32	52	3/8"	950	0.245	100