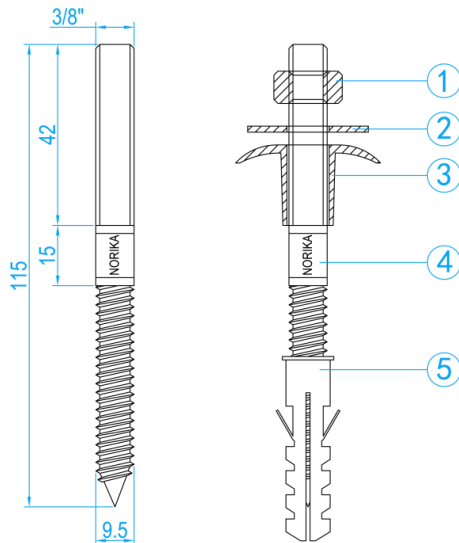
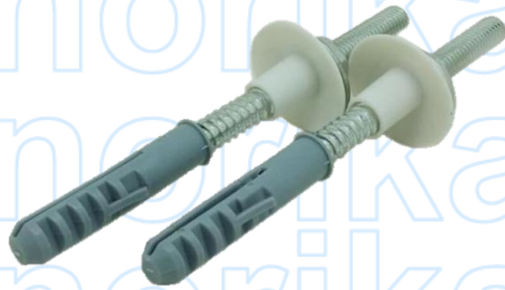


BASIN BRACKET

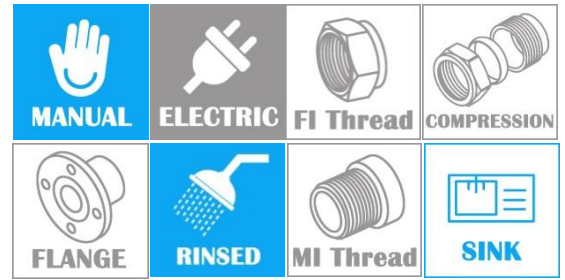


COMPONENT PARTS

ITEM	PARTS	MATERIAL
1	Nut	Galvanized Iron
2	Washer	Galvanized Iron
3	Cover	PVC
4	Stud Rod	Galvanized Iron
5	Plastic Expansion	PVC

DIMENSIONS

SKU	Stud Rod Length (mm)	Thread Size (inch)	Weight (kg)	PCS/CTN
NBB	115	3/8"	0.142	50



How To Use

1. Mark basin height and then mark the 2 sleeve anchor installation holes. (PIC.1)
2. Ensure both marked sleeve anchor holes are height aligned.
3. Using a hammer drill and drill bit, drill a hole the same diameter as the anchor diameter, and at least 1/2" to 1" deeper than the expected embedment. (PIC.2)
4. Clean out hole of all debris.
5. Set the nut flush with the top of the sleeve anchor. (PIC.3)
6. Insert the sleeve anchor through the fixture into the hole in the base material until the washer and nut are tight against the fixture. Turn the nut until finger tight. (PIC.4)
7. Hang the basin, then use a wrench to set the anchor by turning the nut three to four full turns. (PIC.5)

