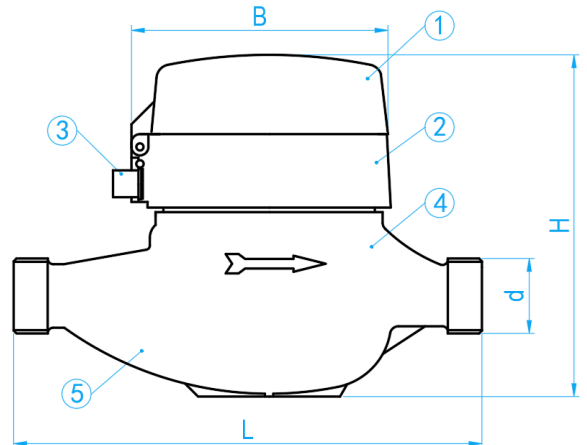
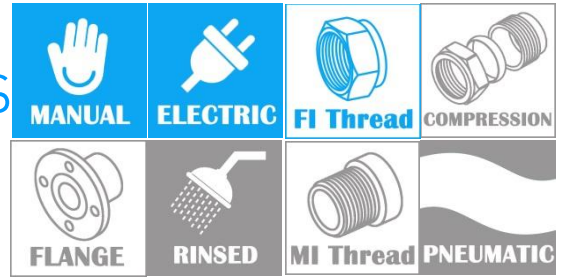


MULTI JET/ DRY DIAL SMART WATER METER WITH MODBUS RTU OUTPUT (CLASS B)

COMPLY WITH ISO 4064: 2014


 Wire material used: RS485 bus RVV4x (0.2-1mm²) shielded wire.

STANDARD SPECIFICATIONS

Water Temperature	0°C ≤ t ≤ 30°C
Operating Pressure	≤ 1.6Mpa
Operating Voltage	DC12V
Quiescent Current	1.0-1.3mA
Communication transmission rate	9600 B/S

COMPONENT PARTS

ITEM	PARTS	MATERIAL
1	Lid	ABS
2	Sealed Register	PC+ABS+POM
3	Communications	/
4	Body	DN15~42: Brass DN50: Ductile Iron
5	Single Jet Impeller	ABS

FLOW RATE SPECIFICATIONS

SKU	QS Maximum flow rate [m ³ /h]	QP Nominal flow rate [m ³ /h]	Qt Transitional flow rate [m ³ /h]	Qmin Minimum flow rate [m ³ /h]	Maximum count
WMSN015	3.125	2.5	0.050	0.031	9999
WMSN020	5.000	4.0	0.080	0.050	9999
WMSN025	7.875	6.3	0.126	0.079	9999
WMSN035	12.500	10.0	0.200	0.125	9999
WMSN042	20.000	16.0	0.320	0.200	9999
WMSN050	31.250	25.0	0.500	0.313	99999

DIMENSIONS

SKU	SIZE(mm)	L(mm)	B(mm)	H(mm)	d(mm)	D(mm)	WEIGHT(kg)	PCS/CTN
WMSN015	15	165	93	117	G ¾"	R ½"	1.25	10
WMSN020	20	190	93	119	G 1"	R ¾"	1.44	10
WMSN025	25	224	93	127	G 1-1/4"	R1"	2.06	8
WMSN035	32	229	84	137	G 1-1/2"	R1-1/4"	2.84	5
WMSN042	40	245	84	169	G 2"	R 1-1/2"	4.22	4
WMSN050	50	299	84	195	G2-1/2"	R 2"	8.12	1

*1] Ensure water meter is installed in the correct water flow direction.

2] Always ensure to select the correct size and spec for the meter.

3] All of the above water meters are only suitable to be installed in the horizontal position. Failing to comply will result in damaging the meter and warranty will be voided.

4] Exclusively use in indoors installation.