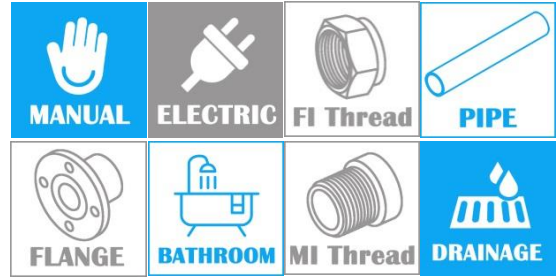
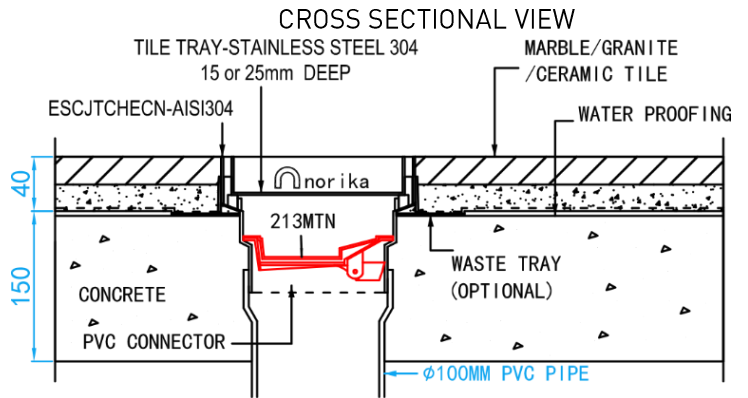
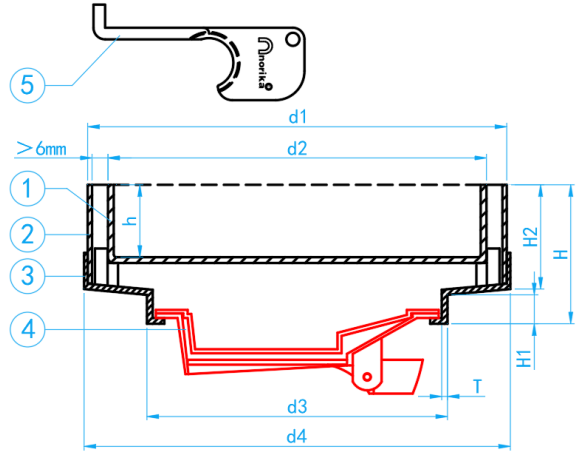


STAINLESS STEEL DECORATIVE SMARTDRAIN

COMPLY WITH SS213:1998



INSTALLATION EFFECT



*** AISI316L material is available upon request.**

CHARACTERISTIC	
Main function	Drainage, sealing
Surface treatment	Hairline
Applications	Sleek and modern smartdrain for use in residential, hotels, apartments, office buildings. Villas

COMPONENT PARTS		
ITEM	PARTS	MATERIAL
1	Tray	AISI304L
2	Frame	AISI304L
3	Base	UPVC
4	Filter	UPVC (213MTNB)
5	Key	Nylon

DIMENSIONS											
SKU	d1 (mm)	d2 (mm)	d3 (mm)	d4 (mm)	H (mm)	H1 (mm)	H2 (mm)	h (mm)	T (mm)	WEIGHT (Kg)	PCS/CTN
SMARTDRAIN150T	144	131	102.5	150	38	10	31	15.5	2	0.590	20
SMARTDRAIN150M					48					0.690	20