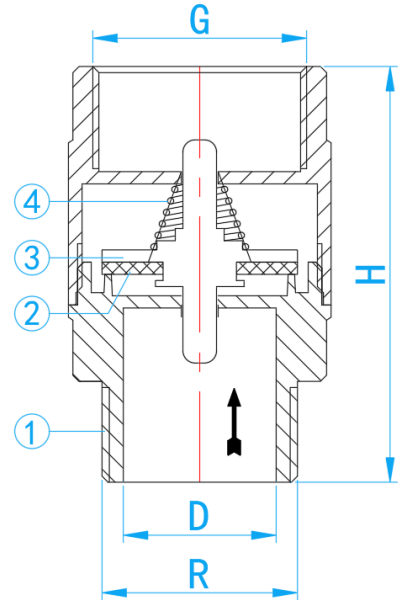


DZR BRASS PISTON SPRING CHECK VALVE M x F

COMPLY WITH BS 5154:1991
 AS/NZS 4020:2018
 SS 375:2015
 BS EN 12165:2016
 BS EN 12288:2010



CROSS SECTIONAL VIEW

STANDARD SPECIFICATIONS

Working Pressure	200 Psi
Applicable Medium	Water

COMPONENT PARTS

ITEM	PARTS	MATERIAL
1.	Body	DZR Brass
2.	O-ring	EPDM
3.	Piston	POM
4.	Spring	AISI304

DIMENSIONS

SKU	D (mm)	R (inch)	G (inch)	H (mm)	WEIGHT (kg)	PCS/CTN
CVCRNB015MF	15	1/2" BSPT	1/2" BSP	51.0	0.130	200
CVCRNB020MF	20	3/4" BSPT	3/4" BSP	59.0	0.190	120
CVCRNB025MF	25	1" BSPT	1" BSP	68.0	0.260	90
CVCRNB035MF	35	1-1/4" BSPT	1-1/4" BSP	74.0	0.410	60
CVCRNB042MF	40	1-1/2" BSPT	1-1/2" BSP	83.0	0.620	40
CVCRNB050MF	50	2" BSPT	2" BSP	93.5	0.920	24
CVCRNB065MF	65	2-1/2" BSPT	2-1/2" BSP	106.5	1.455	16