

# DUCTILE IRON HEAVY DUTY AIR TIGHT MANHOLE COVER

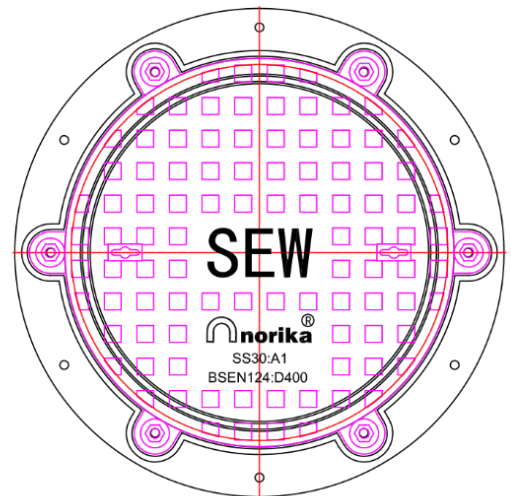
COMPLY WITH BSEN124:1994[400KN]  
SS30:1999(2012)



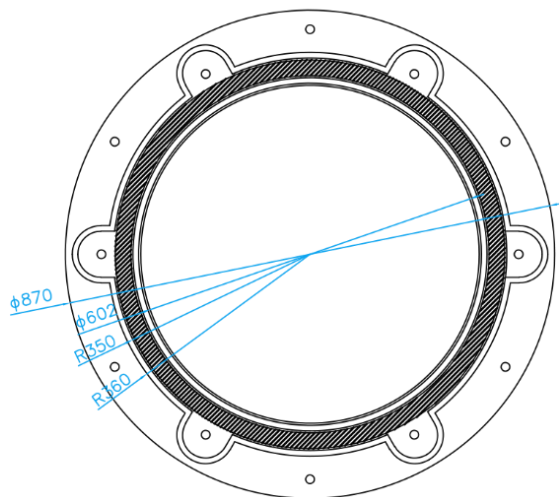
Type of Weight (Symbol)	SS30 Grade	Design Load	Place of Installation	BSEN124	Design Load
	A1	400KN	In carriageways of expressways, arterial, industrial roads and parking areas for all types of road vehicles.	D400	400KN



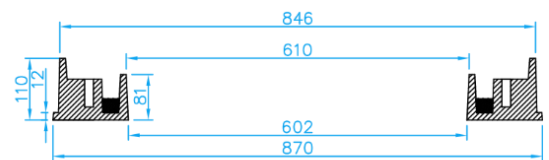
COVER AND FRAME ASSEMBLY



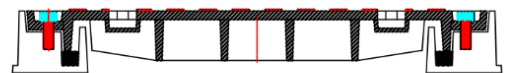
TOP VIEW



FRAME TOP VIEW



FRAME SIDE CROSS SECTIONAL VIEW



COVER AND FRAME SIDE CROSS SECTIONAL VIEW

## DIMENSIONS

SKU	MATERIAL	INTERNAL OPENING (mm)	EXTERNAL (mm)	HEIGHT (mm)	WEIGHT (kg)	Remarks/ Optional
DIMCATD400-R0600SEW	Ductile Iron	Ø600	Ø870	110	155	Air / Water Tight With "SEW" label