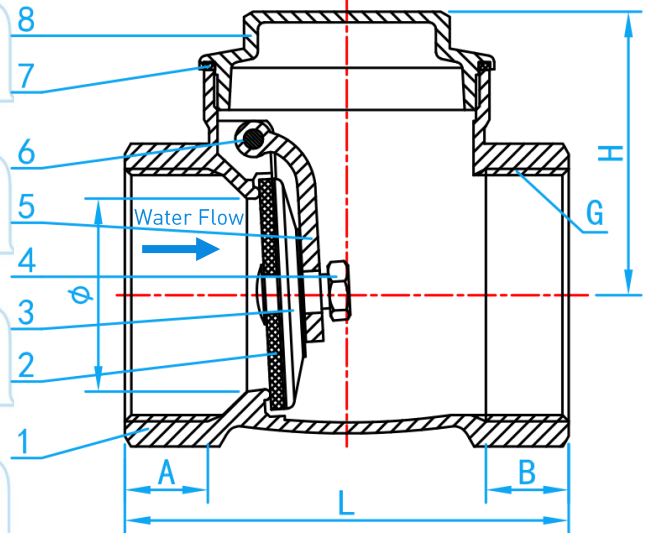


HORIZONTAL BRASS SWING CHECK VALVE

COMPLY WITH BS5154:1991



CROSS SECTIONAL VIEW

STANDARD SPECIFICATIONS

Working Pressure	1.6MPa
Applicable Medium	Water

DIMENSIONS

SKU	G (inch)	A (mm)	B (mm)	L (mm)	H (mm)	Ø (mm)	WEIGHT (kg)	PCS/CTN
SCVBR015	1/2"	9.5	10.0	47.0	33.5	13.0	0.15	120
SCVBR020	3/4"	10.8	10.2	56.0	37.0	18.0	0.22	72
SCVBR025	1"	13.0	11.5	68.0	45.0	24.0	0.37	60
SCVBR035	1 1/4"	13.5	13.5	76.0	51.0	29.0	0.52	48
SCVBR042	1 1/2"	14.5	14.5	86.0	57.0	35.0	0.73	30
SCVBR050	2"	19.5	19.5	104.0	67.0	45.0	1.09	16
SCVBR065	2 1/2"	15.0	15.0	116.0	71.5	57.0	1.75	8
SCVBR080	3"	18.0	18.0	137.0	86.0	72.0	2.69	6
SCVBR100	4"	18.0	18.0	163.0	101.5	90.0	4.40	4

COMPONENT PARTS

ITEM	PARTS	MATERIAL
1	Body	Brass
2	Disc Gasket	EPDM
3	Disc	Brass
4	Nut	Brass
5	Rocking Bar	Brass
6	Arbor	Chromium Nickel Stainless Steel
7	Washer	PTFE
8	Bonnet	Brass