

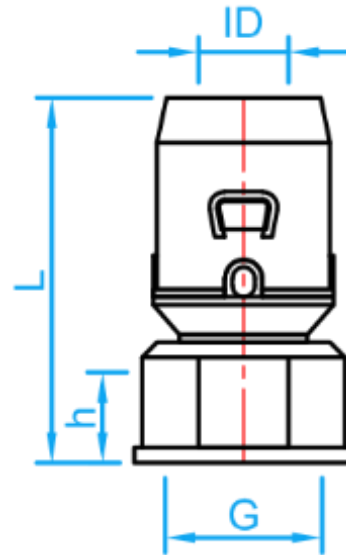
PEX MULTI LAYER PIPES AND FITTINGS



COMPLY WITH BS EN ISO 21003-1:2008
 BS EN ISO 21003-3:2008
 BS EN ISO 21003-5:2008
 BS EN 12165:2016
 AS/NZS 4020:2005
 SS 375:2015



F6 PUSH-FIT PEX FEMALE ADAPTOR



SIDE VIEW

DIMENSIONS

SKU	SIZE (mmxinch)	ID (mm)	G BSP (inch)	h (mm)	L (mm)	WEIGHT (kg)	PCS/CTN
PEXF6FIA01616	16X1/2"	11.80	1/2"	15	48.5	0.068	144
PEXF6FIA01620	16X3/4"	11.80	3/4"	16	49.5	0.085	96
PEXF6FIA02016	20X1/2"	15.80	1/2"	15	50.0	0.081	96
PEXF6FIA02020	20X3/4"	15.80	3/4"	16	51.0	0.097	96
PEXF6FIA02520	25X3/4"	19.75	3/4"	16	56.0	0.119	80
PEXF6FIA02525	25X1"	19.75	1"	18	57.5	0.156	64
PEXF6FIA03220	32X3/4"	25.75	3/4"	16	66.0	-	-
PEXF6FIA03225	32X1"	25.75	1"	18	63.0	0.199	80
PEXF6FIA03232	32X1 1/4"	25.75	1 1/4"	19	65.5	0.234	64