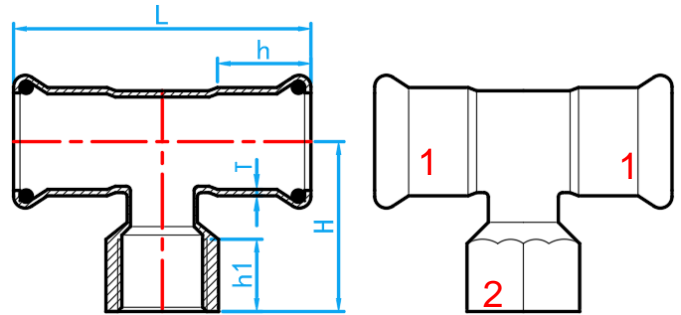
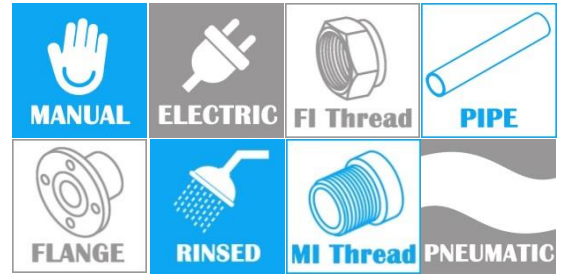
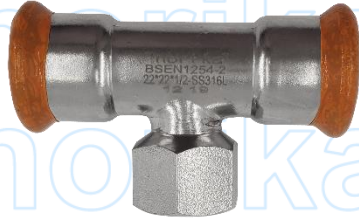


STAINLESS STEEL 316L PRESS FIT FITTINGS (M PROFILE)

COMPLY WITH BSEN1254-2:1998
AS 3688:2005
AS/NZS 4020:2005
ASTM E1086:2014
SS 375:2015
SS 270:2015

FI TEE



CROSS SECTIONAL VIEW

DIMENSIONS

SKU	SIZE (mm x mm x inch)	L (mm)	H (mm)	h (mm)	h1 (mm)	T (mm)	WEIGHT (kg)	PCS/CTN
SS316LPFNFI01515	15×15×1/2" BSP	63	36	20	15.5	1.5	0.072	150
SS316LPFNFI02015	22×22×1/2" BSP	74	41	21	15.5	1.5	0.104	140
SS316LPFNFI02020	22×22×3/4" BSP	74	35	21	16.0	1.5	0.124	120
SS316LPFNFI02515	28×28×1/2" BSP	87	43	23	15.5	1.5	0.134	80
SS316LPFNFI02520	28×28×3/4" BSP	87	47	23	16.0	1.5	0.150	60
SS316LPFNFI02525	28 X 28 X 1" BSP	87	46	23	20.0	1.5	0.180	60
SS316LPFNFI03506	35×35×1/4" BSP	100	42	26	15.5	1.5	0.180	60
SS316LPFNFI03515	35×35×1/2" BSP	100	42	26	15.5	1.5	0.185	60
SS316LPFNFI03520	35×35×3/4" BSP	100	54	26	16.0	1.5	0.191	60
SS316LPFNFI03525	35×35×1" BSP	100	50.5	26	20.0	1.5	0.250	60
SS316LPFNFI03535	35×35×11/4" BSP	100	51.5	26	21.0	1.5	0.240	40
SS316LPFNFI04215	42×42×1/2" BSP	118	47	31	15.5	1.5	0.325	60
SS316LPFNFI04220	42×42×3/4" BSP	118	47	31	16.0	1.5	0.252	48
SS316LPFNFI04225	42×42×1" BSP	118	47	31	20.0	1.5	0.275	50
SS316LPFNFI04235	42×42×11/4" BSP	118	55	31	21.0	1.5	0.370	50
SS316LPFNFI04242	42×42×11/2" BSP	118	59	31	25.0	1.5	0.425	52
SS316LPFNFI05015	54×54×1/2" BSP	142	50	36	15.5	1.5	0.340	40
SS316LPFNFI05020	54×54×3/4" BSP	142	53	36	16.0	1.5	0.357	34
SS316LPFNFI05025	54×54×1" BSP	142	52	36	20.0	1.5	0.357	32
SS316LPFNFI05035	54×54×11/4" BSP	142	62	36	21.0	1.5	0.430	30
SS316LPFNFI05042	54×54×11/2" BSP	142	64	36	21.0	1.5	0.508	30
SS316LPFNFI05050	54×54×2" BSP	142	70	36	25.0	1.5	0.515	32
SS316LPFNFI06515	67×67×1/2" BSP	195	58	50	15.5	2.0	0.675	18
SS316LPFNFI06520	67×67×3/4" BSP	195	58	50	16.0	2.0	0.710	15
SS316LPFNFI06525	67×67×1" BSP	195	58	50	20.0	2.0	0.720	15
SS316LPFNFI06535	67×67×11/4" BSP	195	58	50	21.0	2.0	0.765	15
SS316LPFNFI06542	67×67×11/2" BSP	195	58	50	25.0	2.0	0.800	15
SS316LPFNFI06550	67×67×2" BSP	195	58	50	25.0	2.0	0.820	15
SS316LPFNFI08015	76×76×1/2" BSP	215	62	50	15.5	2.0	0.873	12
SS316LPFNFI08020	76×76×3/4" BSP	215	62	50	16.0	2.0	0.970	12
SS316LPFNFI08025	76×76×1" BSP	215	62	50	20.0	2.0	0.990	12
SS316LPFNFI10050	108×108×2" BSP	305	101	80	30.0	2.0	2.050	3