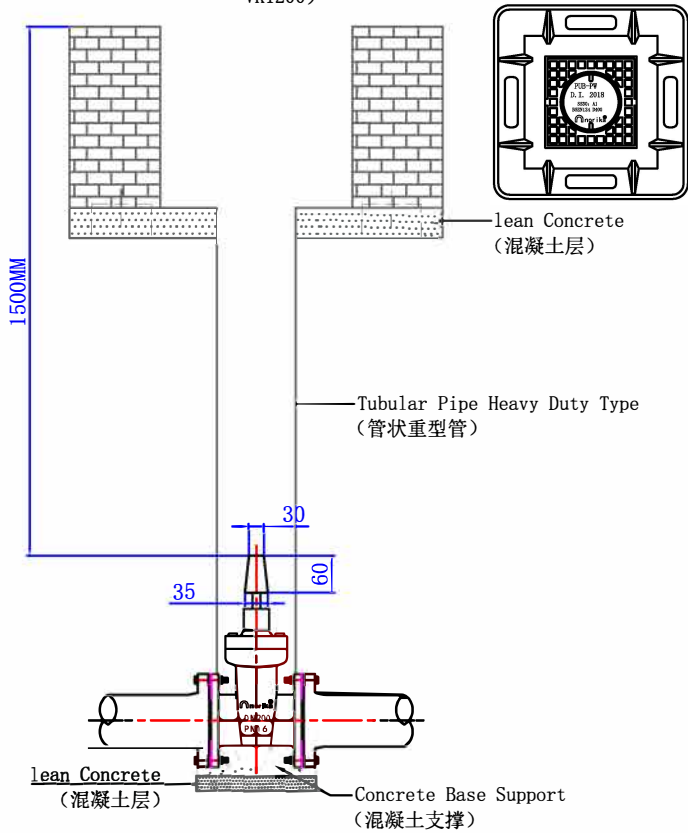


VK Installation Instructions (VK 安装说明)

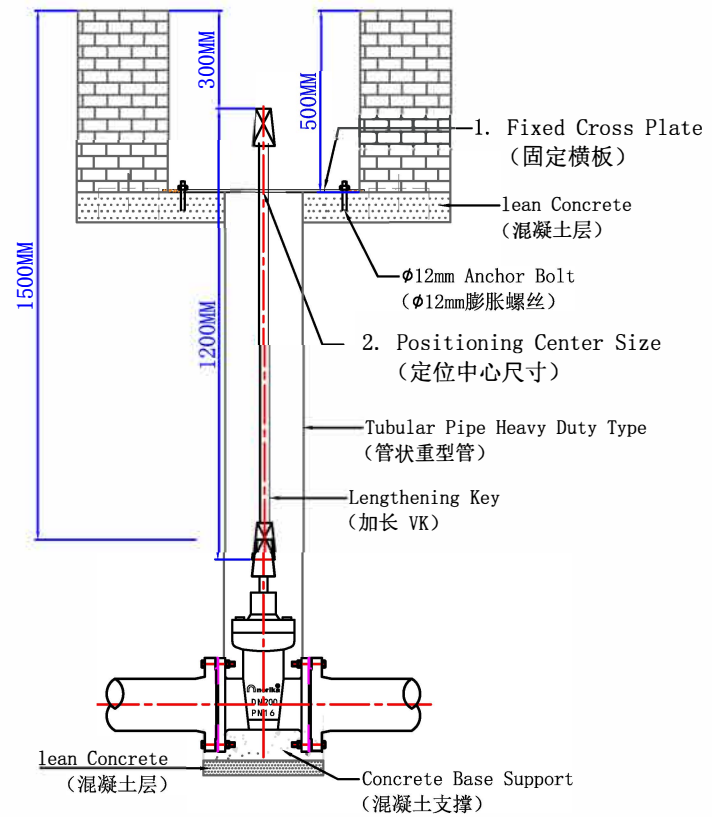
① First Step (第一步)

Before the valve box is installed, The bottom 300mm must be installed VK first
(在安装阀盖之前, 必须先于底部300mm安装VK1200)



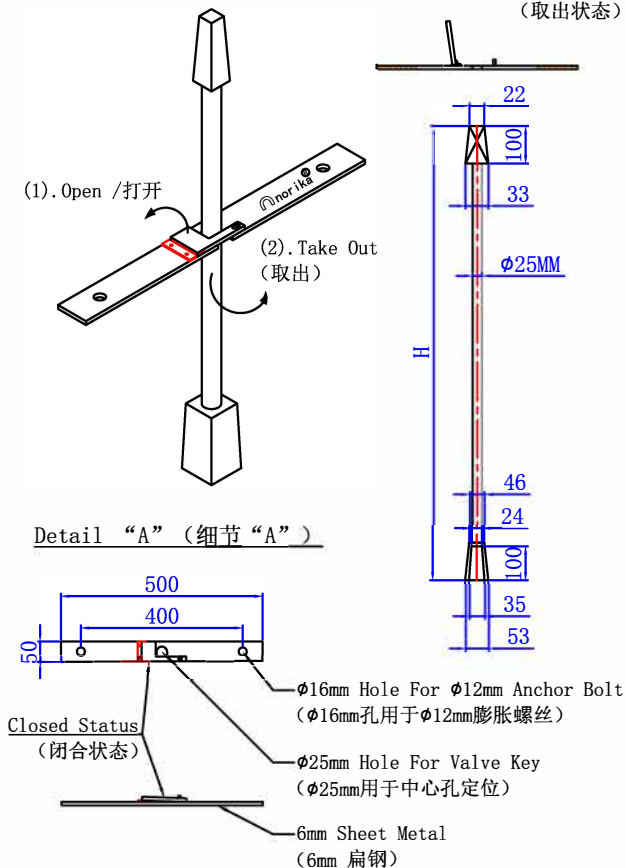
② Second Step (第二步)

Positioning The Horizontal And Center Dimensions (定位横板和中心尺寸)
Insert Expansion Screw And Tighten (插入膨胀螺丝并拧紧)



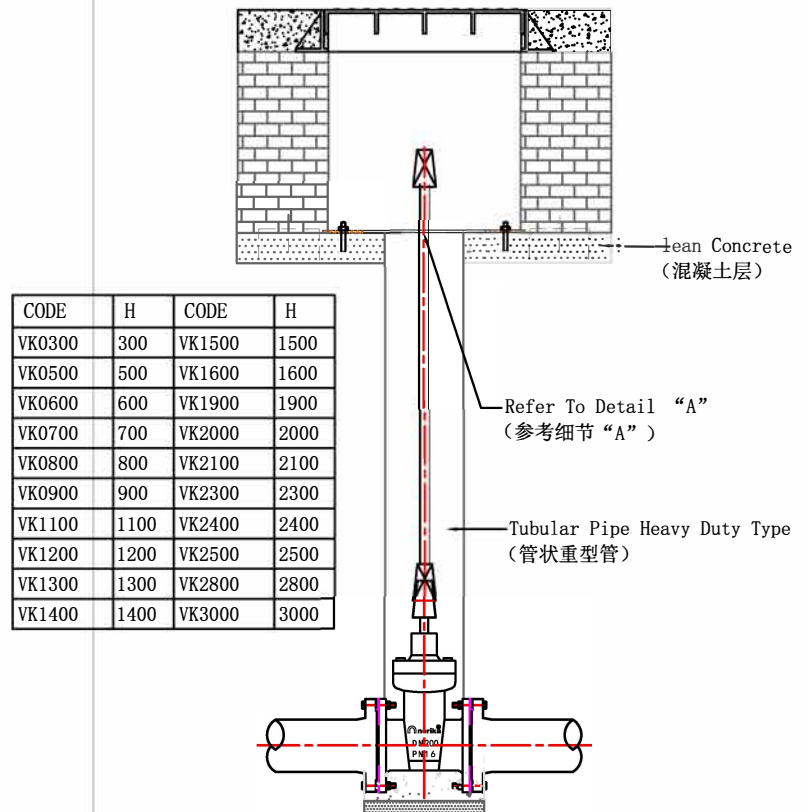
③ Third Step (第三步)

Take Out Status (取出状态)



④ Fourth Step (第四步)

Bonnet Installation (阀盖安装)



CODE	H	CODE	H
VK0300	300	VK1500	1500
VK0500	500	VK1600	1600
VK0600	600	VK1900	1900
VK0700	700	VK2000	2000
VK0800	800	VK2100	2100
VK0900	900	VK2300	2300
VK1100	1100	VK2400	2400
VK1200	1200	VK2500	2500
VK1300	1300	VK2800	2800
VK1400	1400	VK3000	3000