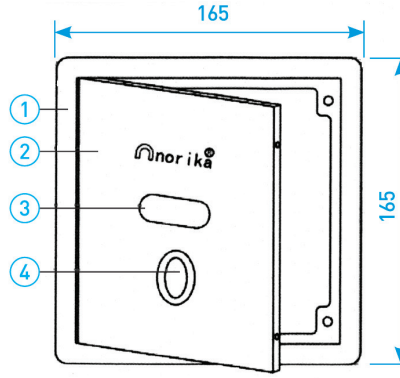
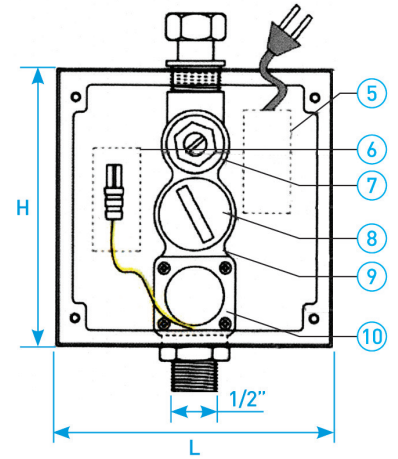


URINAL CONCEAL AUTO SENSOR FLUSHING SYSTEM



EXTERNAL VIEW



INTERNAL VIEW

CHARACTERISTIC

- Intelligent user-friendly sensing with manual over-riding option for convenience.
- Adjustable flushing volume features to cater to low capacity flushing for water conservation.
- Invisible locking mechanism and stainless steel satin finish for stylish aesthetic look.
- Fully water and moisture proof for reliability and resilience.
- The automatic flushing feature ensure that your washroom is rid of odour at all time.

COMPONENT PARTS

ITEM	PARTS	MATERIAL
1	Face Panel Easel	AISI304
2	Face Panel	AISI304
3	Sensor Eye	PC
4	Push Button	AISI304
5	AC Power Adapter	Silicon Steel
6	Battery Pack	ABS
7	Flow Regulator	ABS
8	Filter	AISI304
9	Valve Body	Brass
10	Solenoid Valve	Brass

STANDARD SPECIFICATIONS

STOCK CODE	SIZE (mm)	SENSOR DISTANCE	POWER SUPPLY	OPERATIONAL PRESSURE
AFVN1067AD	110 (L) x 120 (H) x 90 (W)	500mm to 700mm	DC6V, AC: 220V	0.7-3.0 Bar

STANDARD SPECIFICATIONS

VOLUME OF DISCHARGE	PERIPHERAL TEMPERATURE RANGE	RESPONSE TIME	INLET DIAMETER	WEIGHT (kg)
0.5 to 1.5 Litres	0~60°C	5 Seconds	15mm	1.43