

PRODUCT LISTING SCHEME

Certificate Number : STL-COC-Z0025
Issue No: 03

This Certificate is awarded to the following product(s) which has / have complied with the requirements of the listed standard(s).

Applicant : Liang Chew Hardware Pte Ltd
133 Kitchener Road
Singapore 208517

Product : Stainless Steel 304 Press-Fit Fitting

Brand / Model : Norika / SSPFN

Detail : Sizes (mm): 15, 22, 28, 35, 42, 54, 67, 76 & 108

Test Standard(s) : BS EN 1254-2: 1998, AS 3688: 2006, AS/NZS 4020: 2018, SS 375: 2015, SS 270: 2015, BS EN 10312: 2002, BS EN 10088-2: 2005

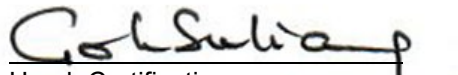
Product conformity certificates are awarded on the basis of an assessment of the following Type Test report(s):

2221879-OYC, 1820239-OYC, 21701875/02-OYC, 2423285-OYC, 21702393-OYC, 2020888-CPC, FB8500287176, 2221990-OYC, 2020877CR1-OYC

Date of Original Issue : 24 July 2023

Date of Last Revision : 04 April 2024

Date of Expiry : 23 July 2025


Head, Certification
Singapore Test Lab Pte Ltd

Page 1 of 1

This Certificate is part of a full report and should be read in conjunction with it. This Certificate remains the property of Singapore Test Lab Pte Ltd and shall be returned upon request. The use of this Certificate is subjected to the Terms and Conditions of Singapore Test Lab Pte Ltd. The manufacturer is solely responsible for the compliance of any product that has the same designation as the product type-tested.



Singapore Test Lab Pte Ltd certifies according to ISO / IEC 17065

Singapore Test Lab Pte Ltd 10B Enterprise Road Singapore 629828

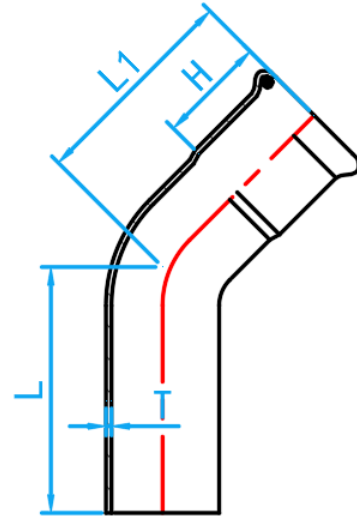


STAINLESS STEEL 304 PRESS FIT FITTINGS (M PROFILE)

COMPLY WITH BSEN1254-2: 1998
AS 3688: 2005
AS/NZS 4020: 2005
SS 375: 2015
SS 270: 2015



MXF 45° ELBOW



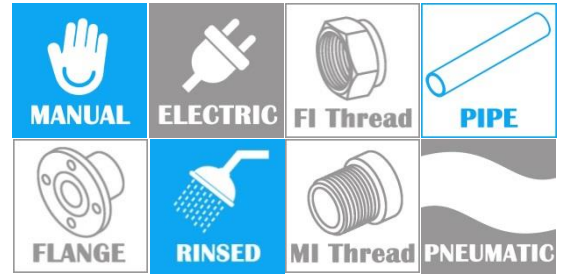
CROSS SECTIONAL VIEW

DIMENSIONS

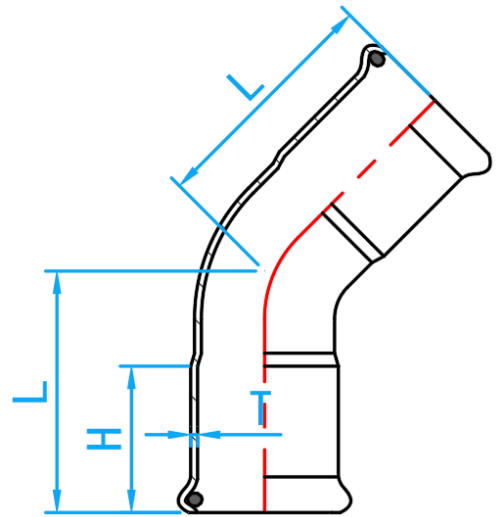
SKU	SIZE (mm)	L (mm)	L1 (mm)	H (mm)	T (mm)	WEIGHT (kg)	PCS/CTN
SSPFNE45015MF	15	35	30	20	1.5	0.036	360
SSPFNE45020MF	22	40	35	21	1.5	0.080	200
SSPFNE45025MF	28	45	40	23	1.5	0.109	120
SSPFNE45035MF	35	53	47	26	1.5	0.148	150
SSPFNE45042MF	42	61	55	31	1.5	0.205	60
SSPFNE45050MF	54	73	66	36	1.5	0.302	48
SSPFNE45065MF	67	103	93	50	2.0	0.600	15
SSPFNE45080MF	76	129	107	51	2.0	0.837	12
SSPFNE45100MF	108	164	145	75	2.0	1.600	4

STAINLESS STEEL 304 PRESS FIT FITTINGS (M PROFILE)

COMPLY WITH BSEN1254-2: 1998
AS 3688: 2005
AS/NZS 4020: 2005
SS 375: 2015
SS 270: 2015



45° ELBOW



CROSS SECTIONAL VIEW

DIMENSIONS

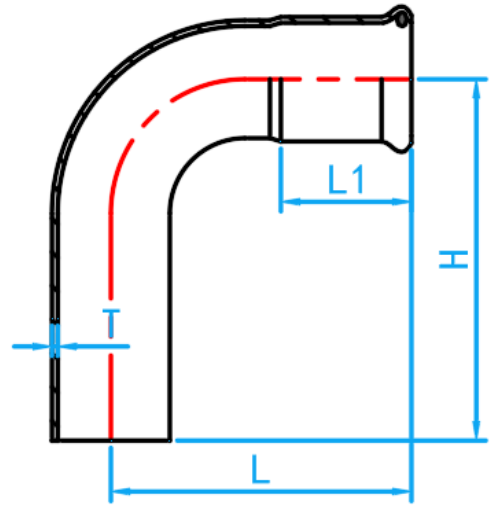
SKU	SIZE (mm)	L (mm)	H (mm)	T (mm)	WEIGHT (kg)	PCS/CTN
SSPFNE45015	15	30	20	1.5	0.037	400
SSPFNE45020	22	35	21	1.5	0.076	160
SSPFNE45025	28	40	23	1.5	0.111	120
SSPFNE45035	35	47	26	1.5	0.132	140
SSPFNE45042	42	55	31	1.5	0.217	80
SSPFNE45050	54	66	36	1.5	0.268	48
SSPFNE45065	65	93	50	2.0	0.604	18
SSPFNE45080	76	107	51	2.0	0.812	12
SSPFNE45100	108	145	75	2.0	1.615	4

STAINLESS STEEL 304 PRESS FIT FITTINGS (M PROFILE)

COMPLY WITH BSEN1254-2: 1998
AS 3688: 2005
AS/NZS 4020: 2005
SS 375: 2015
SS 270: 2015



MXF 90° ELBOW



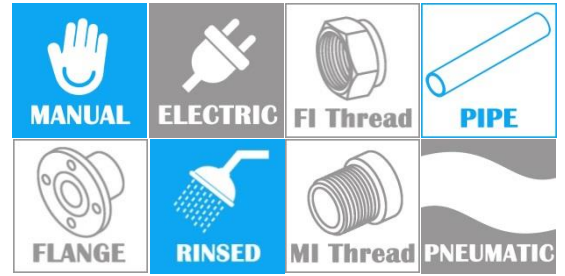
CROSS SECTIONAL VIEW

DIMENSIONS

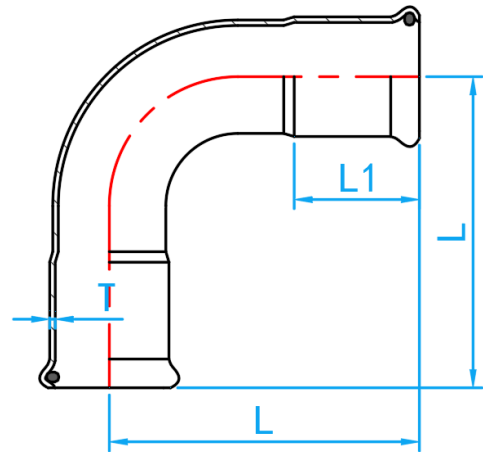
SKU	SIZE (mm)	L (mm)	L1 (mm)	H (mm)	T (mm)	WEIGHT (kg)	PCS/CTN
SSPFNE90015MF	15	41	45	41	1.5	0.042	360
SSPFNE90020MF	22	74	62	74	1.5	0.093	150
SSPFNE90025MF	28	78	66	78	1.5	0.131	160
SSPFNE90035MF	35	241	91	241	1.5	0.212	100
SSPFNE90042MF	42	108	98	108	1.5	0.268	60
SSPFNE90050MF	54	130	102	130	1.5	0.415	30
SSPFNE90065MF	67	150	140	150	2.0	0.800	15
SSPFNE90080MF	76	182	160	182	2.0	1.026	12
SSPFNE90100MF	108	240	221	240	2.0	2.406	4

STAINLESS STEEL 304 PRESS FIT FITTINGS (M PROFILE)

COMPLY WITH BSEN1254-2: 1998
AS 3688: 2005
AS/NZS 4020: 2005
SS 375: 2015
SS 270: 2015



90° ELBOW



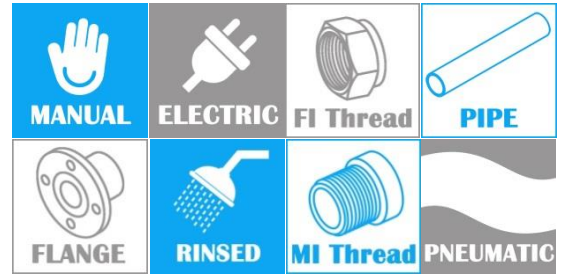
CROSS SECTIONAL VIEW

DIMENSIONS

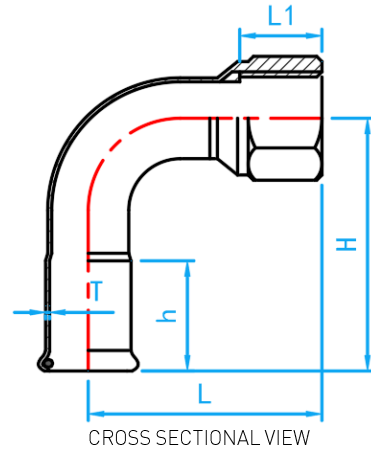
SKU	SIZE (mm)	L (mm)	L1 (mm)	T (mm)	WEIGHT (kg)	PCS/CTN
SSPFNE90015	15	41	20	1.5	0.045	300
SSPFNE90020	22	50	21	1.5	0.077	150
SSPFNE90025	28	60	23	1.5	0.124	150
SSPFNE90035	35	72	26	1.5	0.178	100
SSPFNE90042	42	85	31	1.5	0.239	60
SSPFNE90050	54	105	36	1.5	0.375	32
SSPFNE90065	67	140	50	2.0	0.787	13
SSPFNE90080	76	160	51	2.0	0.990	12
SSPFNE90100	108	221	75	2.0	2.110	4

STAINLESS STEEL 304 PRESS FIT FITTINGS (M PROFILE)

COMPLY WITH BSEN1254-2: 1998
AS 3688: 2005
AS/NZS 4020: 2005
SS 375: 2015
SS 270: 2015



FI 90° ELBOW



DIMENSIONS

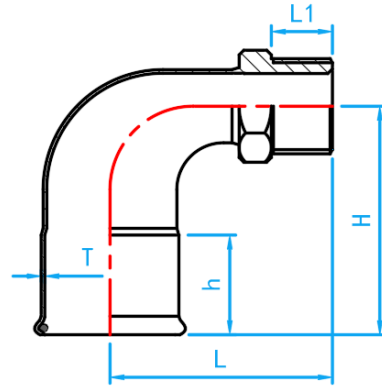
SKU	SIZE (mm × inch)	L (mm)	H (mm)	h (mm)	L1 (mm)	T (mm)	WEIGHT (kg)	PCS/CTN
SSPFNFIE01515	15×1/2" BSP	55	43	20	15.5	1.5	0.060	300
SSPFNFIE02015	22×1/2" BSP	48	49	21	15.5	1.5	0.078	160
SSPFNFIE02020	22×3/4" BSP	58	50	21	16.0	1.5	0.079	160
SSPFNFIE02515	28×1/2" BSP	72	60	23	15.5	1.5	0.115	160
SSPFNFIE02520	28×3/4" BSP	67	60	23	20.0	1.5	0.139	80
SSPFNFIE02525	28×1" BSP	70	60	23	20.0	1.5	0.146	70
SSPFNFIE03515	35×1/2" BSP	86	71	26	15.5	1.5	0.165	60
SSPFNFIE03520	35×3/4" BSP	80	71	26	20.0	1.5	0.185	60
SSPFNFIE03525	35×1" BSP	68	52	26	20.0	1.5	0.200	60
SSPFNFIE03525M	35×1" BSP	78	71	26	22.0	1.5	0.210	50
SSPFNFIE03525L	35×1" BSP	80	90	26	22.0	1.5	0.230	40
SSPFNFIE03535	35×1 1/4" BSP	81	72	26	22.0	1.5	0.235	80
SSPFNFIE04215	42×1/2" BSP	86	85	31	15.5	1.5	0.200	30
SSPFNFIE04242	42×1 1/2"	110	112	31	25.0	1.5	0.300	30
SSPFNFIE05015	54×1/2" BSP	110	105	36	15.5	1.5	0.350	21
SSPFNFIE05050	54×2" BSP	115	108	36	28.0	1.5	0.460	30
SSPFNFIE06565	67×2 1/2" BSP	133	143	50	33.0	2.0	0.970	13

STAINLESS STEEL 304 PRESS FIT FITTINGS (M PROFILE)

COMPLY WITH BSEN1254-2: 1998
AS 3688: 2005
AS/NZS 4020: 2005
SS 375: 2015
SS 270: 2015



MI 90° ELBOW



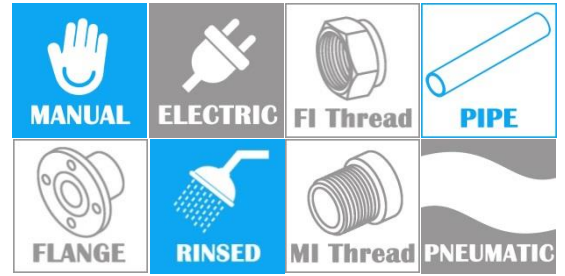
CROSS SECTIONAL VIEW

DIMENSIONS

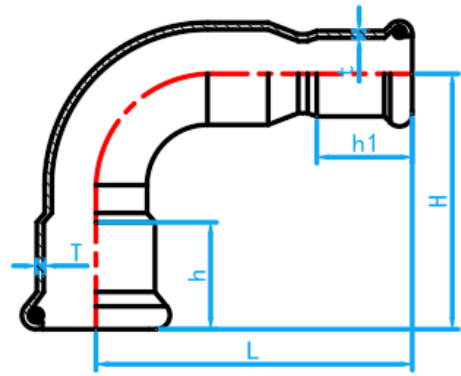
SKU	SIZE (mm × inch)	H (mm)	L (mm)	h (mm)	L1 (mm)	T (mm)	WEIGHT (kg)	PCS/CTN
SSPFNMIE01515	15 × 1/2" BSPT	42.0	53.0	20	15	1.5	0.060	300
SSPFNMIE02015	22 × 1/2" BSPT	51.0	60.0	21	15	1.5	0.080	200
SSPFNMIE02020	22 × 3/4" BSPT	51.0	61.0	21	16	1.5	0.092	160
SSPFNMIE02515	28 × 1/2" BSPT	60.0	71.0	23	19	1.5	0.120	100
SSPFNMIE02525	28 × 1" BSPT	60.0	78.0	23	19	1.5	0.145	70
SSPFNMIE03515	35 × 1/2" BSPT	72.0	78.0	26	15	1.5	0.162	50
SSPFNMIE03525	35 × 1" BSPT	72.0	80.0	26	19	1.5	0.180	50
SSPFNMIE03535	35 × 1 1/4" BSPT	72.0	77.0	26	21	1.5	0.215	55
SSPFNMIE04225	42 × 1" BSPT	85.0	101.0	26	19	1.5	0.270	50
SSPFNMIE04242	42 × 1 1/2" BSPT	85.0	111.0	31	21	1.5	0.300	33
SSPFNMIE05025	54 × 1" BSPT	105.0	114.0	36	19	1.5	0.376	50
SSPFNMIE05050	54 × 2" BSPT	105.0	129.0	36	26	1.5	0.495	21
SSPFNMIE06565	67 × 2 1/2" BSPT	114.0	131.5	50	26	2.0	0.970	12

STAINLESS STEEL 304 PRESS FIT FITTINGS (M PROFILE)

COMPLY WITH BSEN1254-2: 1998
AS 3688: 2005
AS/NZS 4020: 2005
SS 375: 2015
SS 270: 2015



REDUCER 90° ELBOW



CROSS SECTIONAL VIEW

DIMENSIONS

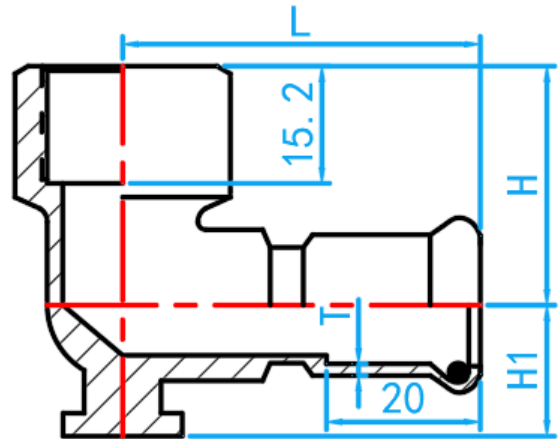
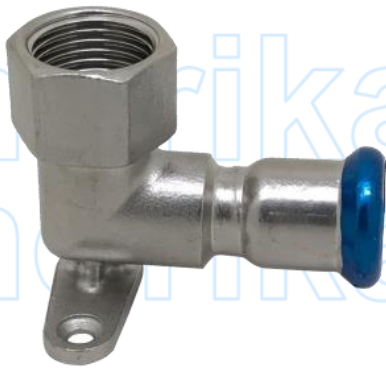
SKU	SIZE (mm)	H (mm)	L (mm)	h (mm)	h1 (mm)	T (mm)	t (mm)	WEIGHT (kg)	PCS/CTN
SSPFNRE9002015	22x15	48.5	41	21	20	1.5	1.5	0.064	160
SSPFNRE9002515	28x15	56.0	41	23	20	1.5	1.5	0.078	140
SSPFNRE9002520	28x22	55.0	48.5	23	21	1.5	1.5	0.094	160
SSPFNRE9003515	35x15	61.5	43.0	26	20	1.5	1.5	0.095	100
SSPFNRE9003520	35x22	64.0	48.0	26	21	1.5	1.5	0.113	80
SSPFNRE9003525	35x28	67.0	58.0	26	23	1.5	1.5	0.133	90
SSPFNRE9004215	42x15	66.5	40.0	31	20	1.5	1.5	0.123	60
SSPFNRE9004220	42x22	73.0	48.0	31	21	1.5	1.5	0.142	60
SSPFNRE9004225	42x28	78.5	60.0	31	23	1.5	1.5	0.163	60
SSPFNRE9005015	54x15	83.5	42.5	36	20	1.5	1.5	0.205	56
SSPFNRE9005020	54x22	88.0	48.0	36	21	1.5	1.5	0.186	-
SSPFNRE9005025	54x28	89.0	61.0	36	23	1.5	1.5	0.215	56
SSPFNRE9005035	54x35	96.0	72.0	36	26	1.5	1.5	0.265	30
SSPFNRE9005042	54x42	104.5	85.0	36	31	1.5	1.5	0.298	30
SSPFNRE9006525	67x28	115.0	60.5	50	23	2.0	1.5	0.354	15
SSPFNRE9006535	67x35	132.0	73.0	50	26	2.0	1.5	0.394	15
SSPFNRE9006542	67x42	127.5	85.0	50	31	2.0	1.5	0.428	-
SSPFNRE9006550	67x54	142.5	105.0	50	36	2.0	1.5	0.523	-

STAINLESS STEEL 304 PRESS FIT FITTINGS (M PROFILE)

COMPLY WITH BSEN1254-2: 1998
AS 3688: 2005
AS/NZS 4020: 2005
SS 375: 2015
SS 270: 2015



WALL PLATE ELBOW



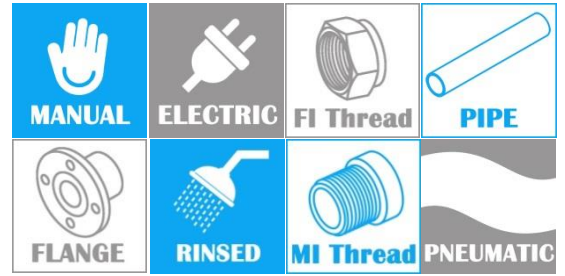
CROSS SECTIONAL VIEW

DIMENSIONS

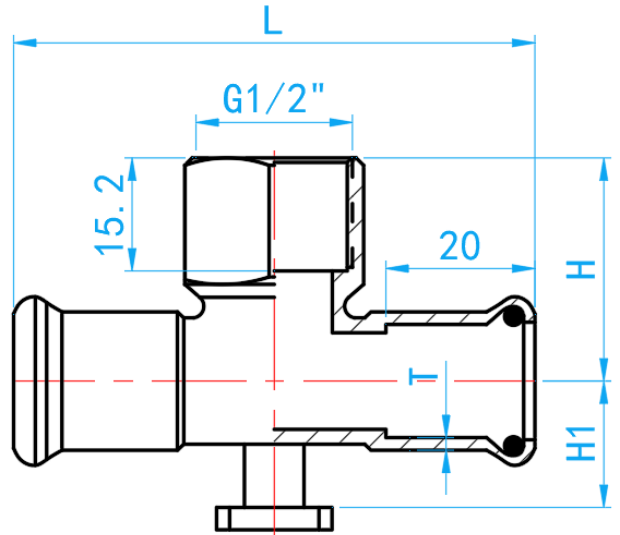
SKU	SIZE (mm x inch)	L (mm)	H (mm)	H1 (mm)	T (mm)	WEIGHT (kg)	PCS/CTN
SSPFNFE015	15×1/2" BSP	46.5	31	17	1.5	0.089	150

STAINLESS STEEL 304 PRESS FIT FITTINGS (M PROFILE)

COMPLY WITH BSEN1254-2: 1998
AS 3688: 2005
AS/NZS 4020: 2005
SS 375: 2015
SS 270: 2015



Wall Plate FI Tee



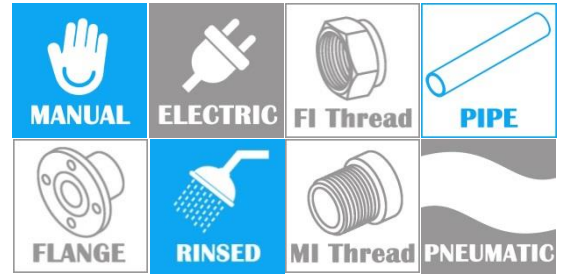
CROSS SECTIONAL VIEW

DIMENSIONS

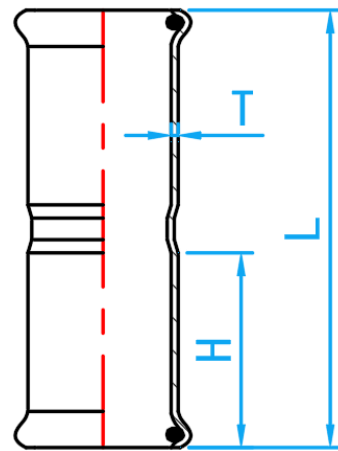
SKU	SIZE (mm x mm x inch)	L (mm)	H (mm)	H1 (mm)	T (mm)	WEIGHT (kg)	PCS/CTN
SSPFNFT015	15×15×1/2" BSP	70	30	20	1.5	0.087	140

STAINLESS STEEL 304 PRESS FIT FITTINGS (M PROFILE)

COMPLY WITH BSEN1254-2: 1998
AS 3688: 2005
AS/NZS 4020: 2005
SS 375: 2015
SS 270: 2015



EQUAL SOCKET(COUPLING)



CROSS SECTIONAL VIEW

DIMENSIONS

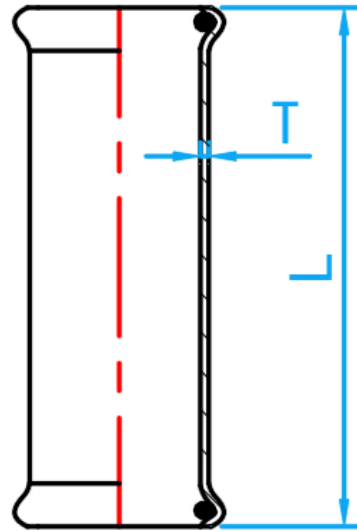
SKU	SIZE (mm)	L (mm)	H (mm)	T (mm)	WEIGHT (kg)	PCS/CTN
SSPFNES015	15	53	20	1.5	0.036	420
SSPFNES020	22	55	21	1.5	0.056	200
SSPFNES025	28	59	23	1.5	0.074	140
SSPFNES035	35	65	26	1.5	0.099	160
SSPFNES042	42	76	31	1.5	0.144	120
SSPFNES050	54	86	36	1.5	0.209	74
SSPFNES065	67	120	50	2.0	0.416	33
SSPFNES080	76	136	51	2.0	0.585	20
SSPFNES100	108	182	75	2.0	1.100	6

STAINLESS STEEL 304 PRESS FIT FITTINGS (M PROFILE)

COMPLY WITH BSEN1254-2: 1998
AS 3688: 2005
AS/NZS 4020: 2005
SS 375: 2015
SS 270: 2015



LONG SOCKET



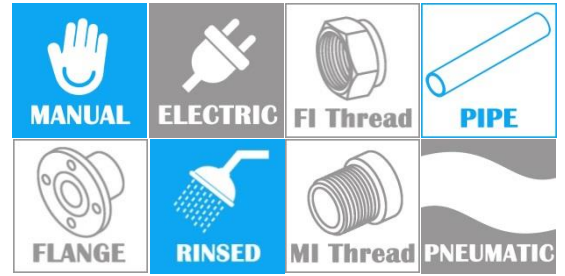
CROSS SECTIONAL VIEW

DIMENSIONS

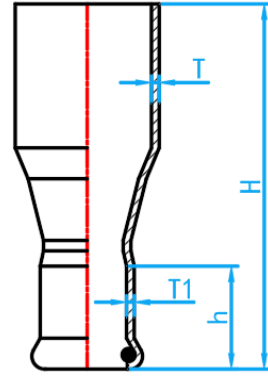
SKU	SIZE (mm)	L (mm)	T (mm)	WEIGHT (kg)	PCS/CTN
SSPFNES015L	15	80	1.5	0.053	250
SSPFNES020L	22	85	1.5	0.086	120
SSPFNES025L	28	95	1.5	0.120	100
SSPFNES035L	35	105	1.5	0.150	60
SSPFNES042L	42	120	1.5	0.180	70
SSPFNES050L	54	135	1.5	0.290	40
SSPFNES065L	67	195	2.0	0.416	20
SSPFNES080L	76	230	2.0	0.585	15
SSPFNES100L	108	310	2.0	1.700	4

STAINLESS STEEL 304 PRESS FIT FITTINGS (M PROFILE)

COMPLY WITH BSEN1254-2: 1998
AS 3688: 2005
AS/NZS 4020: 2005
SS 375: 2015
SS 270: 2015



MXF REDUCER



CROSS SECTIONAL VIEW

DIMENSIONS

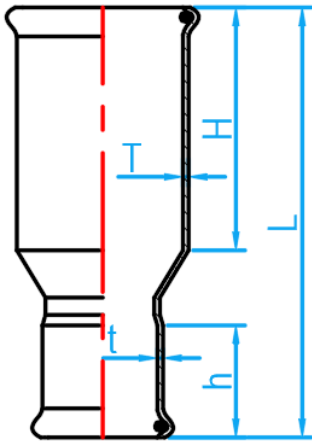
SKU	SIZE (mm)	H (mm)	h (mm)	T (mm)	T1 (mm)	WEIGHT (kg)	PCS/CTN
SSPFNRS02015MF	22×15	64	20	1.5	1.5	0.048	300
SSPFNRS02515MF	28×15	76	20	1.5	1.5	0.059	300
SSPFNRS02520MF	28×22	71	21	1.5	1.5	0.065	250
SSPFNRS03515MF	35×15	88	20	1.5	1.5	0.078	160
SSPFNRS03520MF	35×22	86	21	1.5	1.5	0.091	100
SSPFNRS03525MF	35×28	82	23	1.5	1.5	0.089	80
SSPFNRS04215MF	42×15	102	20	1.5	1.5	0.119	80
SSPFNRS04220MF	42×22	95	21	1.5	1.5	0.116	100
SSPFNRS04225MF	42×28	93	23	1.5	1.5	0.124	110
SSPFNRS04235MF	42×35	87	26	1.5	1.5	0.122	60
SSPFNRS05015MF	54×15	99	20	1.5	1.5	0.162	77
SSPFNRS05020MF	54×22	115	21	1.5	1.5	0.163	77
SSPFNRS05025MF	54×28	112	23	1.5	1.5	0.222	100
SSPFNRS05035MF	54×35	109	26	1.5	1.5	0.218	36
SSPFNRS05042MF	54×42	108	31	1.5	1.5	0.214	70
SSPFNRS06535MF	67×35	127	26	2.0	1.5	0.316	40
SSPFNRS06542MF	67×42	130	31	2.0	1.5	0.320	40
SSPFNRS06550MF	67×54	125	36	2.0	1.5	0.340	40
SSPFNRS08050MF	76×54	137	36	2.0	1.5	0.435	30
SSPFNRS08065MF	76×67	155	50	2.0	2.0	0.630	21
SSPFNRS10050MF	108×54	168	36	2.0	1.5	0.870	10
SSPFNRS10065MF	108×67	186	50	2.0	2.0	0.982	9
SSPFNRS10080MF	108×76	190	51	2.0	2.0	1.050	9

STAINLESS STEEL 304 PRESS FIT FITTINGS (M PROFILE)

COMPLY WITH BSEN1254-2: 1998
AS 3688: 2005
AS/NZS 4020: 2005
SS 375: 2015
SS 270: 2015



REDUCEING SOCKET



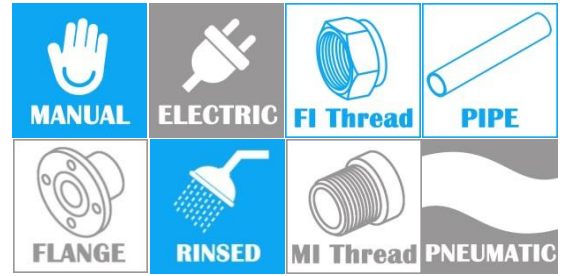
CROSS SECTIONAL VIEW

DIMENSIONS

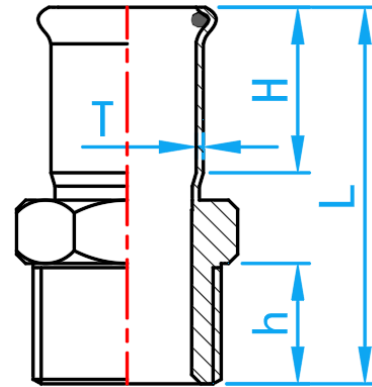
SKU	SIZE (mm)	L (mm)	H (mm)	h (mm)	T (mm)	t (mm)	WEIGHT (kg)	PCS/CT N
SSPFNRS02015	22×15	61	21	20	1.5	1.5	0.054	200
SSPFNRS02515	28×15	65	23	20	1.5	1.5	0.068	160
SSPFNRS02520	28×22	65	23	21	1.5	1.5	0.075	130
SSPFNRS03515	35×15	70	26	20	1.5	1.5	0.087	160
SSPFNRS03520	35×22	70	26	21	1.5	1.5	0.083	120
SSPFNRS03525	35×28	68	26	23	1.5	1.5	0.097	80
SSPFNRS04215	42×15	78	31	20	1.5	1.5	0.110	120
SSPFNRS04220	42×22	76	31	21	1.5	1.5	0.122	110
SSPFNRS04225	42×28	76	31	23	1.5	1.5	0.125	100
SSPFNRS04235	42×35	77	31	26	1.5	1.5	0.133	70
SSPFNRS05015	54×15	90	36	20	1.5	1.5	0.166	70
SSPFNRS05020	54×22	186	36	21	1.5	1.5	0.162	70
SSPFNRS05025	54×28	90	36	23	1.5	1.5	0.175	100
SSPFNRS05035	54×35	88	36	26	1.5	1.5	0.180	70
SSPFNRS05042	54×42	94	36	31	1.5	1.5	0.207	70
SSPFNRS06525	67×28	114	50	23	2.0	1.5	0.320	25
SSPFNRS06535	67×35	115	50	26	2.0	1.5	0.322	25
SSPFNRS06542	67×42	117	50	31	2.0	1.5	0.338	25
SSPFNRS06550	67×54	119	50	36	2.0	1.5	0.347	36
SSPFNRS08025	76×28	116	51	23	2.0	1.5	-	20
SSPFNRS08035	76×35	119	51	26	2.0	1.5	-	20
SSPFNRS08042	76×42	124	51	31	2.0	1.5	-	20
SSPFNRS08050	76×54	129	51	36	2.0	1.5	0.454	36
SSPFNRS08065	76×67	141	51	50	2.0	2.0	0.590	20
SSPFNRS10050	108×54	162	75	36	2.0	1.5	0.810	12
SSPFNRS10065	108×67	178	75	50	2.0	2.0	0.905	12
SSPFNRS10080	108×76	178	75	51	2.0	2.0	0.942	12

STAINLESS STEEL 304 PRESS FIT FITTINGS (M PROFILE)

COMPLY WITH BSEN1254-2: 1998
AS 3688: 2005
AS/NZS 4020: 2005
SS 375: 2015
SS 270: 2015



MI SOCKET



CROSS SECTIONAL VIEW

DIMENSIONS

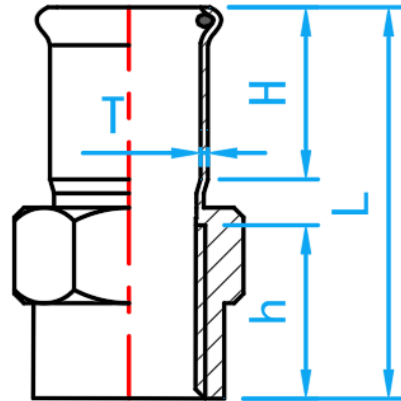
SKU	SIZE (mm x inch)	L (mm)	H (mm)	h (mm)	T (mm)	WEIGHT (kg)	PCS/CTN
SSPFNMIA01515	15×1/2" BSPT	51	20	15	1.5	0.044	420
SSPFNMIA02015	22×1/2" BSPT	50	20	15	1.5	0.064	170
SSPFNMIA02020	22×3/4" BSPT	55	21	16	1.5	0.105	200
SSPFNMIA02025	22×1" BSPT	70	24	16	1.5	0.105	130
SSPFNMIA02525	28×1" BSPT	60	33	19	1.5	0.096	130
SSPFNMIA03515	35×1/2" BSPT	71	26	15	1.5	0.095	80
SSPFNMIA03525	35×1" BSPT	85	26	21	1.5	0.150	80
SSPFNMIA03535	35×11/4" BSPT	70	26	21	1.5	0.182	80
SSPFNMIA03542	35×11/2" BSPT	82	28	22	1.5	0.185	66
SSPFNMIA03550	35×2" BSPT	92	26	26	1.5	0.300	38
SSPFNMIA04225	42×1" BSPT	82	24	22	1.5	0.155	66
SSPFNMIA04242	42×11/2" BSPT	75	31	21	1.5	0.275	66
SSPFNMIA05050	54×2" BSPT	88	36	26	1.5	0.320	38
SSPFNMIA06565	67×21/2" BSPT	110	50	30	1.5	0.735	15
SSPFNMIA08065	76×21/2" BSPT	115	55	30	1.5	0.626	24
SSPFNMIA08080	76×3" BSPT	120	55	32	1.5	0.869	24
SSPFNMIA100100	108×4" BSPT	148	80	35	1.5	1.243	10

STAINLESS STEEL 304 PRESS FIT FITTINGS (M PROFILE)

COMPLY WITH BSEN1254-2: 1998
AS 3688: 2005
AS/NZS 4020: 2005
SS 375: 2015
SS 270: 2015



FI SOCKET



CROSS SECTIONAL VIEW

DIMENSIONS

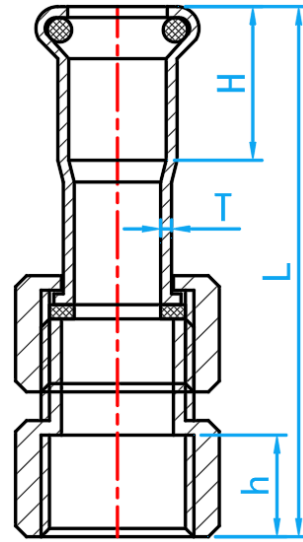
SKU	SIZE (mm x inch)	L (mm)	H (mm)	h (mm)	T (mm)	WEIGHT (kg)	PCS/CTN
SSPFNFIA01515	15×1/2" BSP	51	20	15.5	1.5	0.050	300
SSPFNFIA02015	22×1/2" BSP	50	20	15.5	1.5	0.064	240
SSPFNFIA02020	22×3/4" BSP	50	21	16.0	1.5	0.076	170
SSPFNFIA02525	28×1" BSP	57	23	20.0	1.5	0.134	120
SSPFNFIA03515	35×1/2" BSP	64	26	15.5	1.5	0.130	80
SSPFNFIA03525	35×1" BSP	64	26	20.0	1.5	0.180	80
SSPFNFIA03535	35×11/4" BSP	64	26	22.0	1.5	0.168	75
SSPFNFIA04215	42×1/2" BSP	80	31	15.5	1.5	0.134	120
SSPFNFIA04242	42×11/2" BSP	71	31	25.0	1.5	0.210	60
SSPFNFIA04250	42×2" BSP	98	31	25.0	1.5	0.318	36
SSPFNFIA05015	54×1/2" BSP	86	36	15.5	1.5	0.170	70
SSPFNFIA05050	54×2" BSP	82	35	25.0	1.5	0.335	36
SSPFNFIA06515	67×1/2" BSP	111	50	15.5	2.0	0.310	28
SSPFNFIA06550	67×2" BSP	115	50	25.0	1.5	0.435	15
SSPFNFIA06565	67×21/2" BSP	115	50	28.0	2.0	0.570	15
SSPFNFIA08015	76×1/2" BSP	120	51	15.5	2.0	0.405	24
SSPFNFIA10015	108×1/2" BSP	153	75	15.5	2.0	0.810	10

STAINLESS STEEL 304 PRESS FIT FITTINGS (M PROFILE)

COMPLY WITH BSEN1254-2: 1998
AS 3688: 2005
AS/NZS 4020: 2005
SS 375: 2015
SS 270: 2015



FEMALE JOINT CONNECTOR



CROSS SECTIONAL VIEW

DIMENSIONS

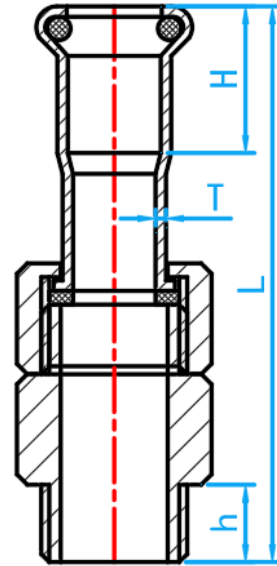
SKU	SIZE (mm x inch)	L (mm)	H (mm)	h (mm)	T (mm)	WEIGHT (kg)	PCS/CTN
SSPFNFJC015	15×1/2" BSP	71	20	15	1.5	0.099	180
SSPFNFJC020	22×3/4" BSP	75	21	17	1.5	0.152	150
SSPFNFJC025	28×1" BSP	83	23	19	1.5	0.215	70
SSPFNFJC035	35×1 1/4" BSP	91	26	21	1.5	0.326	60
SSPFNFJC042	42×1 1/2" BSP	111	31	22	1.5	0.381	50
SSPFNFJC050	54×2" BSP	116	36	27	1.5	0.634	24

STAINLESS STEEL 304 PRESS FIT FITTINGS (M PROFILE)

COMPLY WITH BSEN1254-2: 1998
AS 3688: 2005
AS/NZS 4020: 2005
SS 375: 2015
SS 270: 2015



MALE JOINT CONNECTOR



CROSS SECTIONAL VIEW

DIMENSIONS

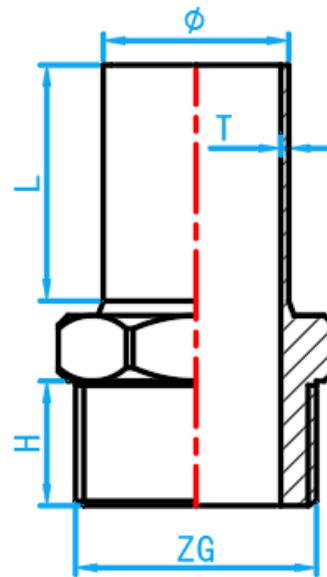
SKU	SIZE (mm x inch)	L (mm)	H (mm)	h (mm)	T (mm)	WEIGHT (kg)	PCS/CTN
SSPFNMJC015	15×1/2"BSPT	77	20	15	1.5	0.106	180
SSPFNMJC020	22×3/4"BSPT	80	21	17	1.5	0.157	150
SSPFNMJC025	28×1"BSPT	84	23	19	1.5	0.225	70
SSPFNMJC03525	35×1"BSPT	96	26	19	1.5	0.255	60
SSPFNMJC035	35×11/4"BSPT	98	26	21	1.5	0.302	60
SSPFNMJC04225	42×1"BSPT	115	31	19	1.5	0.275	34
SSPFNMJC042	42×11/2"BSPT	108	31	22	1.5	0.378	34
SSPFNMJC05025	54×1"BSPT	125	36	19	1.5	0.315	24
SSPFNMJC050	54×2"BSPT	118	36	27	1.5	0.590	24
SSPFNMJC065	67×21/2"BSPT	165	50	30	1.5	1.265	10
SSPFNMJC080	76×3"BSPT	180	51	33	1.5	1.440	5
SSPFNMJC100	108×4"BSPT	250	75	38	1.5	2.760	6

STAINLESS STEEL 304 PRESS FIT FITTINGS (M PROFILE)

COMPLY WITH BSEN1254-2: 1998
AS 3688: 2005
AS/NZS 4020: 2005
SS 375: 2015
SS 270: 2015



[MI] PIPE



CROSS SECTIONAL VIEW

DIMENSIONS

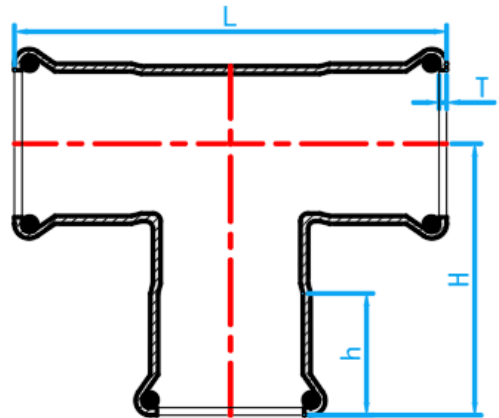
SKU	SIZE (mm)	ZG (inch)	Ø (mm)	L (mm)	H (mm)	T (mm)	WEIGHT (kg)	PCS/CTN
SSPFNMIP015	15	1/2"BSPT	15	35	15	1.5	0.050	500
SSPFNMIP020	22	3/4"BSPT	22	36	16	1.5	0.070	200
SSPFNMIP025	28	1"BSPT	28	38	19	1.5	0.100	150
SSPFNMIP035	35	1 1/4"BSPT	35	40	21	1.5	0.150	50
SSPFNMIP042	42	1 1/2"BSPT	42	45	21	1.5	0.190	50
SSPFNMIP050	54	2"BSPT	54	50	26	1.5	0.335	60

STAINLESS STEEL 304 PRESS FIT FITTINGS (M PROFILE)

COMPLY WITH BSEN1254-2: 1998
AS 3688: 2005
AS/NZS 4020: 2005
SS 375: 2015
SS 270: 2015



EQUAL TEE

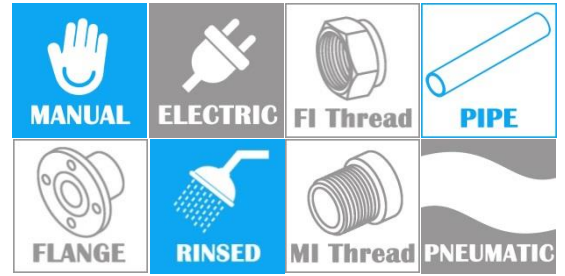


CROSS SECTIONAL VIEW

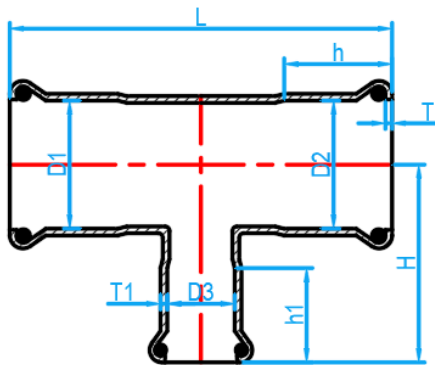
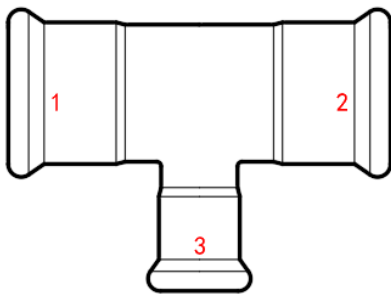
DIMENSIONS							
SKU	SIZE (mm)	L (mm)	H (mm)	h (mm)	T (mm)	WEIGHT (kg)	PCS/CTN
SSPFNET015	15	70	53	20	1.5	0.110	240
SSPFNET020	22	79	55	21	1.5	0.134	120
SSPFNET025	28	88	59	23	1.5	0.132	70
SSPFNET035	35	101	65	26	1.5	0.195	50
SSPFNET042	42	119	76	31	1.5	0.271	52
SSPFNET050	54	143	86	36	1.5	0.415	28
SSPFNET065	67	203	99	50	2.0	0.876	12
SSPFNET080	76	230	114	51	2.0	1.200	8
SSPFNET100	108	306	150	75	2.0	2.300	3

STAINLESS STEEL 304 PRESS FIT FITTINGS (M PROFILE)

COMPLY WITH BSEN1254-2: 1998
AS 3688: 2005
AS/NZS 4020: 2005
SS 375: 2015
SS 270: 2015



REDUCING TEE



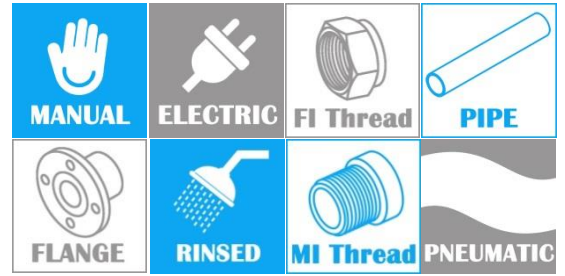
CROSS SECTIONAL VIEW

DIMENSIONS

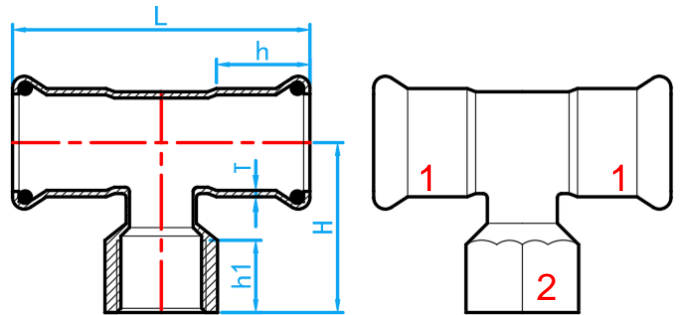
SKU	D1×D2×D3 (mm)	L (mm)	H (mm)	h (mm)	h1 (mm)	T (mm)	T1 (mm)	WEIGHT (kg)	PCS/C TN
SSPFNRT0202015	22×22×15	79	38	21	20	1.5	1.5	0.090	120
SSPFNRT0252515	28×28×15	88	42	23	20	1.5	1.5	0.118	60
SSPFNRT0252520	28×28×22	88	43	23	21	1.5	1.5	0.134	60
SSPFNRT0353515	35×35×15	101	45	26	20	1.5	1.5	0.170	80
SSPFNRT0353520	35×35×22	101	46	26	21	1.5	1.5	0.178	80
SSPFNRT0353525	35×35×28	101	47	26	23	1.5	1.5	0.191	50
SSPFNRT0424215	42×42×15	119	50	31	20	1.5	1.5	0.225	51
SSPFNRT0424220	42×42×22	119	51	31	21	1.5	1.5	0.244	70
SSPFNRT0424225	42×42×28	119	52	31	23	1.5	1.5	0.255	60
SSPFNRT0424235	42×42×35	119	55	31	26	1.5	1.5	0.263	50
SSPFNRT0505015	54×54×15	143	55	36	20	1.5	1.5	0.330	38
SSPFNRT0505020	54×54×22	143	57	36	21	1.5	1.5	0.346	32
SSPFNRT0505025	54×54×28	143	58	36	23	1.5	1.5	0.358	32
SSPFNRT0505035	54×54×35	143	60	36	26	1.5	1.5	0.348	32
SSPFNRT0505042	54×54×42	143	66	36	31	1.5	1.5	0.370	32
SSPFNRT0656515	67×67×15	203	64	50	20	2.0	1.5	0.700	15
SSPFNRT0656520	67×67×22	203	66	50	21	2.0	1.5	0.700	15
SSPFNRT0656525	67×67×28	203	67	50	23	2.0	1.5	0.700	15
SSPFNRT0656535	67×67×35	203	71	50	26	2.0	1.5	0.800	15
SSPFNRT0656542	67×67×42	203	76	50	31	2.0	1.5	0.765	15
SSPFNRT0656550	67×67×54	203	82	50	36	2.0	1.5	0.800	12
SSPFNRT0808020	76×76×28	230	72	51	21	2.0	1.5	0.925	12
SSPFNRT0808025	76×76×28	230	72	51	23	2.0	1.5	0.925	12
SSPFNRT0808035	76×76×35	230	75	51	26	2.0	1.5	0.955	12
SSPFNRT0808042	76×76×42	230	80	51	31	2.0	1.5	0.970	11
SSPFNRT0808050	76×76×54	230	85	51	36	2.0	1.5	0.990	10
SSPFNRT0808065	76×76×67	230	103	51	50	2.0	2.0	1.100	10
SSPFNRT10010020	108×108×22	306	88	75	21	2.0	1.5	1.700	4
SSPFNRT10010025	108×108×28	306	88	75	23	2.0	1.5	1.720	4
SSPFNRT10010035	108×108×35	306	91	75	26	2.0	1.5	1.762	4
SSPFNRT10010042	108×108×42	306	96	75	31	2.0	1.5	1.796	4
SSPFNRT10010050	108×108×54	306	101	75	36	2.0	1.5	1.818	4
SSPFNRT10010065	108×108×67	306	119	75	50	2.0	2.0	1.886	3
SSPFNRT10010080	108×108×76	306	127	75	51	2.0	2.0	1.935	3

STAINLESS STEEL 304 PRESS FIT FITTINGS (M PROFILE)

COMPLY WITH BSEN1254-2: 1998
AS 3688: 2005
AS/NZS 4020: 2005
SS 375: 2015
SS 270: 2015



FI TEE



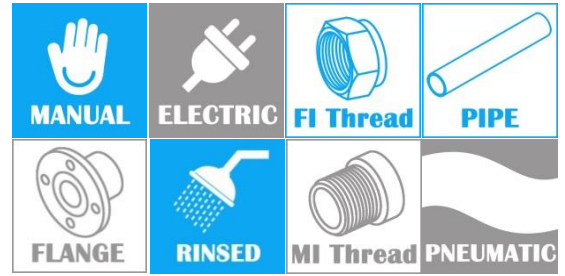
CROSS SECTIONAL VIEW

DIMENSIONS

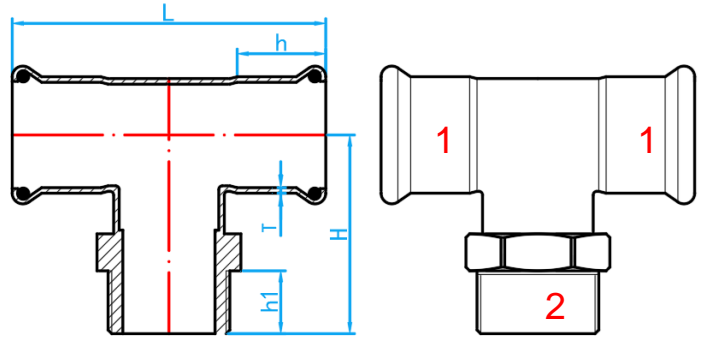
SKU	SIZE (mm x mm x inch)	L (mm)	H (mm)	h (mm)	h1 (mm)	T (mm)	WEIGHT (kg)	PCS/CTN
SSPFNFIT01515	15×15×1/2" BSP	63	36	20	15.5	1.5	0.072	150
SSPFNFIT02015	22×22×1/2" BSP	74	41	21	15.5	1.5	0.104	140
SSPFNFIT02020	22×22×3/4" BSP	74	35	21	16.0	1.5	0.124	120
SSPFNFIT02515	28×28×1/2" BSP	87	43	23	15.5	1.5	0.134	80
SSPFNFIT02520	28×28×3/4" BSP	87	47	23	16.0	1.5	0.150	60
SSPFNFIT02525	28×28×1" BSP	87	46	23	20.0	1.5	0.180	60
SSPFNFIT03506	35×35×1/4" BSP	100	42	26	15.5	1.5	0.180	60
SSPFNFIT03515	35×35×1/2" BSP	100	42	26	15.5	1.5	0.185	60
SSPFNFIT03520	35×35×3/4" BSP	100	54	26	16.0	1.5	0.191	60
SSPFNFIT03525	35×35×1" BSP	100	50.5	26	20.0	1.5	0.250	60
SSPFNFIT03535	35×35×1 1/4" BSP	100	51.5	26	21.0	1.5	0.240	40
SSPFNFIT04215	42×42×1/2" BSP	118	47	31	15.5	1.5	0.325	60
SSPFNFIT04220	42×42×3/4" BSP	118	47	31	16.0	1.5	0.252	48
SSPFNFIT04225	42×42×1" BSP	118	47	31	20.0	1.5	0.275	50
SSPFNFIT04235	42×42×1 1/4" BSP	118	55	31	21.0	1.5	0.370	50
SSPFNFIT04242	42×42×1 1/2" BSP	118	59	31	25.0	1.5	0.425	52
SSPFNFIT05015	54×54×1/2" BSP	142	50	36	15.5	1.5	0.340	40
SSPFNFIT05020	54×54×3/4" BSP	142	53	36	16.0	1.5	0.357	34
SSPFNFIT05025	54×54×1" BSP	142	52	36	20.0	1.5	0.357	32
SSPFNFIT05035	54×54×1 1/4" BSP	142	62	36	21.0	1.5	0.430	30
SSPFNFIT05042	54×54×1 1/2" BSP	142	64	36	21.0	1.5	0.508	30
SSPFNFIT05050	54×54×2" BSP	142	70	36	25.0	1.5	0.515	32
SSPFNFIT06515	67×67×1/2" BSP	195	58	50	15.5	2.0	0.675	18
SSPFNFIT06520	67×67×3/4" BSP	195	58	50	16.0	2.0	0.710	15
SSPFNFIT06525	67×67×1" BSP	195	58	50	20.0	2.0	0.720	15
SSPFNFIT06535	67×67×1 1/4" BSP	195	58	50	21.0	2.0	0.765	15
SSPFNFIT06542	67×67×1 1/2" BSP	195	58	50	25.0	2.0	0.800	15
SSPFNFIT06550	67×67×2" BSP	195	58	50	25.0	2.0	0.820	15
SSPFNFIT08015	76×76×1/2" BSP	215	62	50	15.5	2.0	0.873	12
SSPFNFIT08020	76×76×3/4" BSP	215	62	50	16.0	2.0	0.970	12
SSPFNFIT08025	76×76×1" BSP	215	62	50	20.0	2.0	0.990	12
SSPFNFIT10050	108×108×2" BSP	305	101	80	30.0	2.0	2.050	3

STAINLESS STEEL 304 PRESS FIT FITTINGS (M PROFILE)

COMPLY WITH BSEN1254-2: 1998
AS 3688: 2005
AS/NZS 4020: 2005
SS 375: 2015
SS 270: 2015



MI TEE



CROSS SECTIONAL VIEW

DIMENSIONS

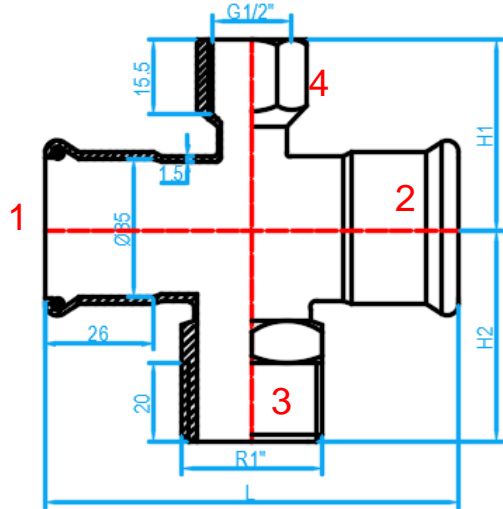
SKU	SIZE (mm x mm x inch)	L (mm)	H (mm)	h (mm)	h1 (mm)	T (mm)	WEIGHT (kg)	PCS/CTN
SSPFNMIT01515	15×15×1/2" BSPT	63	42	20	15	1.5	0.070	200
SSPFNMIT02015	22×22×1/2" BSPT	74	40	21	15	1.5	0.106	140
SSPFNMIT02020	22×22×3/4" BSPT	74	46	21	16	1.5	0.142	100
SSPFNMIT02515	28×28×1/2" BSPT	87	42	23	15	1.5	0.125	70
SSPFNMIT02520	28×28×3/4" BSPT	87	52	23	16	1.5	0.173	80
SSPFNMIT02525	28×28×1" BSPT	87	54	23	18	1.5	0.208	70
SSPFNMIT03506	35×35×1/4" BSPT	100	45	26	15	1.5	0.160	-
SSPFNMIT03515	35×35×1/2" BSPT	100	45	26	15	1.5	0.167	50
SSPFNMIT03520	35×35×3/4" BSPT	100	49	26	16	1.5	0.175	50
SSPFNMIT03525	35×35×1" BSPT	100	59	26	18	1.5	0.254	50
SSPFNMIT03535	35×35×1 1/4" BSPT	100	57	26	20	1.5	0.268	50
SSPFNMIT04215	42×42×1/2" BSPT	118	48	31	15	1.5	0.220	48
SSPFNMIT04220	42×42×3/4" BSPT	118	63	31	16	1.5	0.277	48
SSPFNMIT04225	42×42×1" BSPT	118	63	31	18	1.5	0.313	45
SSPFNMIT04235	42×42×1 1/4" BSPT	118	63	31	20	1.5	0.328	42
SSPFNMIT04242	42×42×1 1/2" BSPT	118	64	31	20	1.5	0.418	35
SSPFNMIT05015	54×54×1/2" BSPT	142	61	36	15	1.5	0.336	44
SSPFNMIT05020	54×54×3/4" BSPT	142	67	36	16	1.5	0.385	30
SSPFNMIT05025	54×54×1" BSPT	142	75	36	18	1.5	0.418	32
SSPFNMIT05035	54×54×1 1/4" BSPT	142	71	36	20	1.5	0.433	35
SSPFNMIT05042	54×54×1 1/2" BSPT	142	71	36	20	1.5	0.518	30
SSPFNMIT05050	54×54×2" BSPT	142	78	36	23	1.5	0.485	28
SSPFNMIT06565	67×67×2 1/2" BSPT	215	90	55	28	2.0	1.005	10
SSPFNMIT06550	67×67×2" BSPT	215	90	55	25	2.0	0.850	10
SSPFNMIT08050	76×76×2" BSPT	220	90	55	27	2.0	0.980	10
SSPFNMIT10050	108×108×2" BSPT	305	110	80	27	2.0	2.040	3
SSPFNMIT10080	108×108×3" BSPT	305	110	80	30	2.0	2.150	8

STAINLESS STEEL 304 PRESS FIT FITTINGS (M PROFILE)

COMPLY WITH BSEN1254-2: 1998
AS 3688: 2005
AS/NZS 4020: 2005
SS 375: 2015
SS 270: 2015



REDUCING CROSS TEE MXF



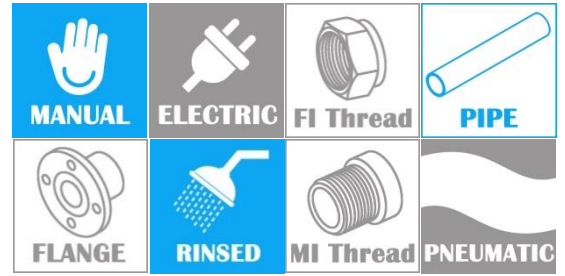
CROSS SECTIONAL VIEW

DIMENSIONS

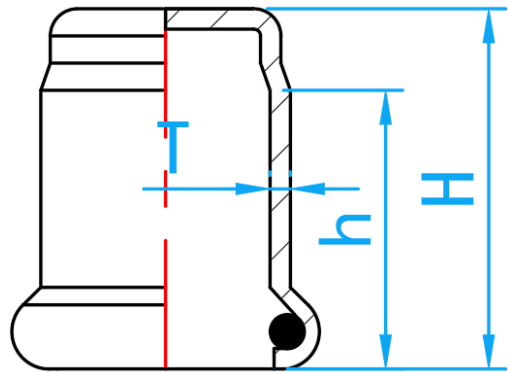
STOCK CODE	SIZE (mm x mm x inch x inch)	L (mm)	H1 (mm)	H2 (mm)	WEIGHT (kg)	PCS/CTN
SSPFNCT353525MI15FI	35X35X1"BSPTX1/2"BSP	100	43	54	0.241	30

STAINLESS STEEL 304 PRESS FIT FITTINGS (M PROFILE)

COMPLY WITH BSEN1254-2: 1998
AS 3688: 2005
AS/NZS 4020: 2005
SS 375: 2015
SS 270: 2015



END CAP



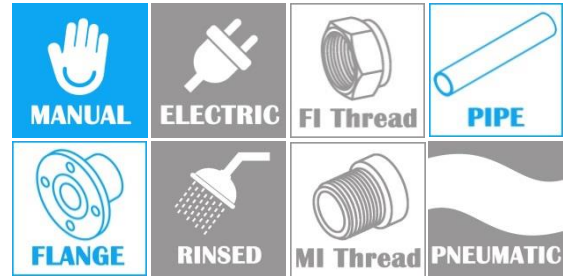
CROSS SECTIONAL VIEW

DIMENSIONS

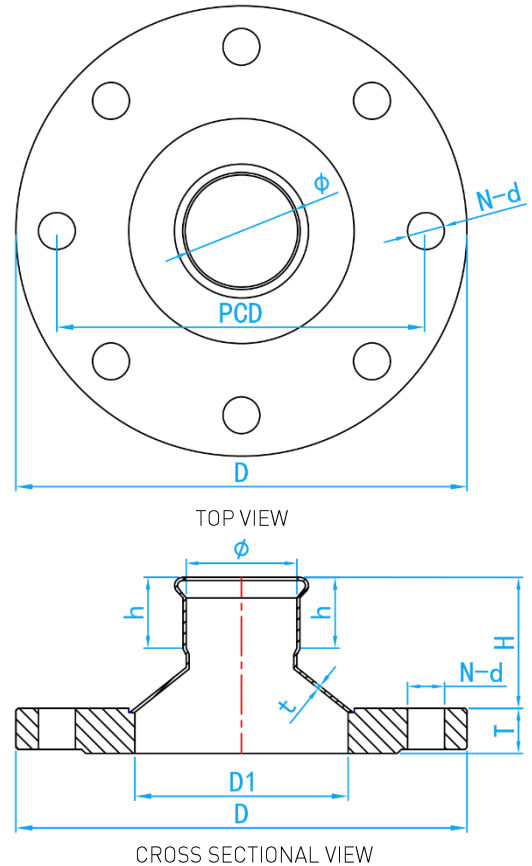
SKU	SIZE (mm)	H (mm)	h (mm)	T (mm)	WEIGHT (kg)	PCS/CTN
SSPFNEC015	15	31	20	1.5	0.024	500
SSPFNEC020	22	42	21	1.5	0.041	300
SSPFNEC025	28	44	23	1.5	0.059	200
SSPFNEC035	35	48	26	1.5	0.077	180
SSPFNEC042	42	51	31	1.5	0.106	120
SSPFNEC050	54	60	36	1.5	0.153	84
SSPFNEC065	67	85	50	2.0	0.280	65
SSPFNEC080	76	107	51	2.0	0.410	36
SSPFNEC100	108	145	75	2.0	0.715	12

STAINLESS STEEL 304 PRESS FIT FITTINGS (M PROFILE)

COMPLY WITH BSEN1254-2: 1998
AS 3688: 2005
AS/NZS 4020: 2005
SS 375: 2015
SS 270: 2015
BS 4504 PN16



PRESSFIT FLANGE REDUCE SOCKET



DIMENSIONS

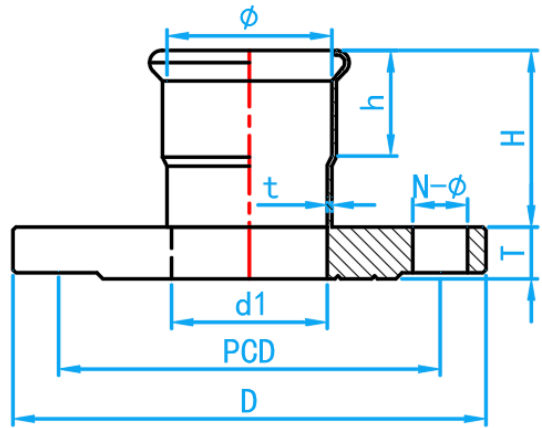
SKU	Ø (mm)	D (mm)	PCD (mm)	D1 (mm)	NO.S OF HOLS	d (mm)	T (mm)	H (mm)	h (mm)	t (mm)	WEIGHT (kg)
SSPFNFLS06550	54	185	145	63	4	18	20	53	36	1.5	3.19
SSPFNFLS08050	54	200	160	85	8	18	20	56	36	1.5	3.92
SSPFNFLS08065	67	200	160	85	8	18	20	74	50	2.0	4.02
SSPFNFLS100050	54	220	180	104	8	18	20	65	36	1.5	4.31
SSPFNFLS100065	67	220	180	104	8	18	20	85	50	2.0	4.42
SSPFNFLS100080	76	220	180	104	8	18	20	85	53	2.0	4.46
SSPFNFLS150065	67	285	240	154	8	22	24	116	50	2.0	8.20
SSPFNFLS150080	76	285	240	154	8	22	24	121	53	2.0	8.23
SSPFNFLS150100	108	285	240	154	8	22	24	140	75	2.0	8.48

STAINLESS STEEL 304 PRESS FIT FITTINGS (M PROFILE)

COMPLY WITH BSEN1254-2: 1998
AS 3688: 2005
AS/NZS 4020: 2005
SS 375: 2015
SS 270: 2015
BS 4504 PN16



PRESSFIT FLANGE SOCKET



CROSS SECTIONAL VIEW

DIMENSIONS

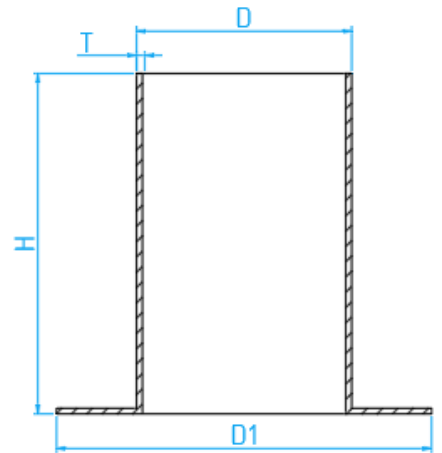
SKU	∅ (mm)	D (mm)	PCD (mm)	d1 (mm)	NO.S OF HOLS	d (mm)	T (mm)	H (mm)	h (mm)	t (mm)	WEIGHT (kg)
SSPFNFLS015	15	95	65	12	4	14	14	26	20	1.5	-
SSPFNFLS020	22	105	75	18	4	14	16	28	21	1.5	-
SSPFNFLS025	28	115	85	24	4	14	16	30	23	1.5	1.000
SSPFNFLS035	35	130	100	31	4	18	18	33	26	1.5	1.100
SSPFNFLS042	42	140	110	38	4	18	18	43	31	1.5	1.500
SSPFNFLS050	54	155	125	50	4	18	19	43	36	1.5	1.800
SSPFNFLS065	67	175	145	63	4	18	18	68	50	2.0	2.400
SSPFNFLS080	76	190	160	72	8	18	20	70	51	2.0	3.100
SSPFNFLS100	108	210	180	104	8	18	22	95	75	2.0	3.700

STAINLESS STEEL 304 PRESS FIT FITTINGS

COMPLY WITH BSEN1254-2: 1998
AS/NZS 4020: 2005



FLANGE SOCKET

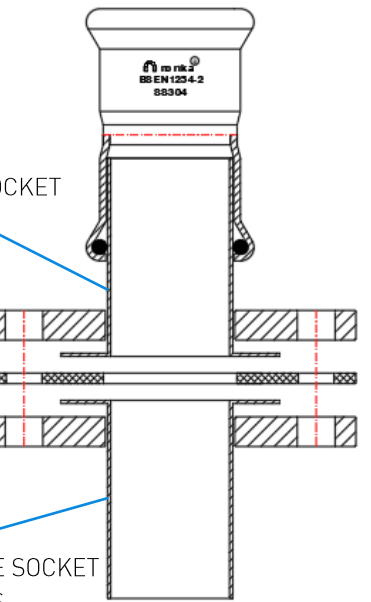


CROSS SECTIONAL VIEW

- DUCTILE IRON FLANGE
SKU: DIFMBL
- EPDM RUBBER GASKET
SKU: RFGN-PUB
- DUCTILE IRON FLANGE
SKU: DIFMBL

- SS304 FLANGE SOCKET
SKU:SSPFNFS

- SS304 FLANGE SOCKET
SKU:SSPFNFS

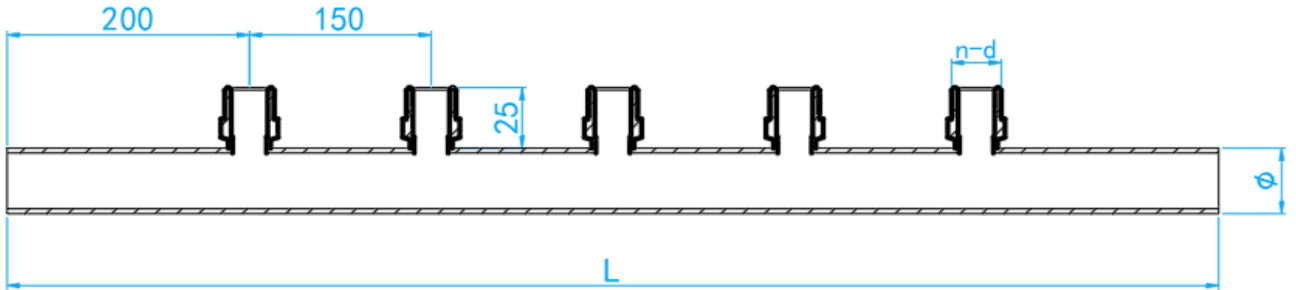


INSTALLATION ASSEMBLY

DIMENSIONS

SKU	DN (mm)	D (mm)	D1 (mm)	H (mm)	T (mm)	WEIGHT (kg)	PCS/CTN
SSPFNFP042	42	42.07	97	90	1.5	0.261	30
SSPFNFP050	54	54.07	107	100	1.5	0.352	45
SSPFNFP065	67	66.75	127	140	1.5	0.619	19
SSPFNFP080	76	76.30	142	150	2.0	0.665	14
SSPFNFP100	108	108.25	160	190	2.0	1.223	8

STAINLESS STEEL 304 PRESSFIT SINGLE SIDED MANIFOLDS



CROSS SECTIONAL VIEW

DIMENSIONS				
SKU	Ø (mm)	n-d	L (mm)	WEIGHT (kg)
SS304NM05015MX4	54	4NOS -G1/2" MI	850	1.715
SS304NM05015MX5	54	5NOS--G1/2" MI	1000	2.050