

NEW ARRIVAL

PEX PIPE & F5 PRESSEFIT

Size: 16mm to 75mm



 **norika**®
Name of Reliability in Quality Accessories

Visit our Website!





SINGAPORE GREEN BUILDING PRODUCT CERTIFICATE

AWARDED TO

Liang Chew Hardware Pte Ltd

133 Kitchener Road
Singapore 208517

FOR THE PRODUCT

Pipe & Fittings - Potable Water

PRODUCT BRAND

Norika

PRODUCT MODEL

Refer to Appendix

THE PRODUCT HAS BEEN ASSESSED ACCORDING
TO THE ASSESSMENT CRITERIA OF SINGAPORE
GREEN BUILDING PRODUCT CERTIFICATION SCHEME.
IT HAS BEEN AWARDED THE RATING:

Director
SGBC Pte Ltd



Certificate Number	Original Issue Date	Revised Date	Valid Till
SGBP 4219	07 December 2023	-	06 December 2025

✓Good ✓✓Very Good ✓✓✓Excellent ✓✓✓✓Leader

The use and reliance on this certificate is subject to the terms and conditions of the Singapore Green Building Product Certification Scheme. Revised certificates may also be issued at the discretion of the Council. The certification status may be verified at the Singapore Green Building Council website (www.sgbc.sg).





SINGAPORE GREEN BUILDING PRODUCT CERTIFICATE

Appendix

Certificate Number: SGBP 4219

Models

[PIPES] - PIPPEX: [16mm, 20mm, 25mm, 32mm, 40mm, 50mm, 63mm and 75mm],[Fittings, Push-Fit] - (16mm, 20mm, 25mm and 32mm)(PEXF6EC || PEXF6E90 || PEXF6ET || PEXF6ES || PEXF6MIA || PEXF6FIA || PEXF6MIE || PEXF6FIE || PEXF6FE || PEXF6MIT || PEXF6FIT || PEXF6RT) // (20mm, 25mm and 32mm) (PEXF6RS || PEXF6RE90) // (16mm, 20mm, and 25mm) (PEXF6BV) // (16mm and 20mm) (PEXF6FE) ,[Fittings] - (16mm, 20mm, 25mm, 32mm, 40mm, 50mm, 63mm and 75mm) (PEXF5ES || PEXF5RS || PEXF5E90 || PEXF5RE90 || PEXF5EC16 || PEXF5ET16 || PEXF5RT || PEXF5MIT || PEXF5FIT || PEXF5MIA || PEXF5FIA) // (16mm, 20mm, 25mm, 32mm, 40mm, 50mm & 63mm) (PEXF5MIE || PEXF5FIE) // (16mm, 20mm, 25mm, 32mm, 40mm and 50mm) (PEXF5FJC) // (16mm, 20mm and 25mm) (PEXF5FE || PEXF5BV) // (16mm and 20mm) (PEXF5FES)





TEST CERTIFICATE

POTABLE WATER FITTINGS SCHEME

Certificate Number : TC-J0243
Issue No: 03

This Certificate is awarded to the following product(s) which has / have complied with the requirements of the listed standard(s) in accordance with Stipulation of Standards and Requirements for Water Fittings for Use in Potable Water Service Installations.

Client : **Liang Chew Hardware Pte Ltd**
 133 Kitchener Road
 Singapore 208517

Product : Multilayer Pipes & Fittings (Pressfit)

Brand / Model : Norika / PIPPEX & PEXF5

Detail : Sizes (mm): 16, 20, 25, 32, 40, 50, 63 & 75

Test Standard(s) : BS EN ISO 21003-1: 2008, BS EN ISO 21003-2: 2008 + A1: 2011, BS EN ISO 21003-3: 2008, BS EN ISO 21003-5: 2008, AS/NZS 4020: 2005, AS/NZS 4020: 2018, SS 375: 2015, BS EN 12165: 2016

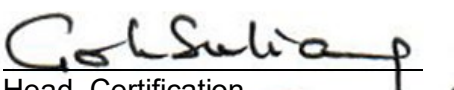
Test Report(s) : 1820215/02A-OYC, 1820215/03A-OYC, 1820215/01-OYC, 2020852-CPC, 1820215/04-CPC, 2020843/01-CPC, 2020889-CPC, 21802731-CLC

A sample of the product submitted was tested and found to comply with the test requirements of the above standard(s).

Date of Original Issue : 10 March 2021

Date of Last Revision : 07 February 2023

Date of Expiry : 09 March 2025


 Head, Certification
 Singapore Test Lab Pte Ltd

This Certificate is part of a full report and should be read in conjunction with it. This Certificate remains the property of Singapore Test Lab Pte Ltd and shall be returned upon request. The use of this Certificate is subjected to the Terms and Conditions of Singapore Test Lab Pte Ltd. The manufacturer is solely responsible for the compliance of any product that has the same designation as the product type tested.

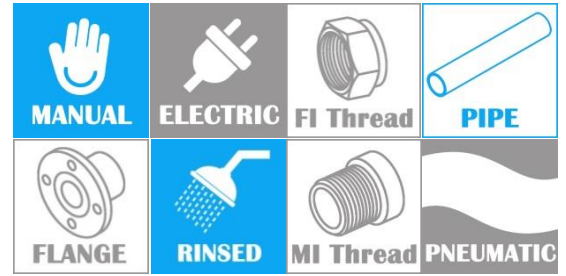


Singapore Test Lab Pte Ltd certifies according to ISO / IEC 17065

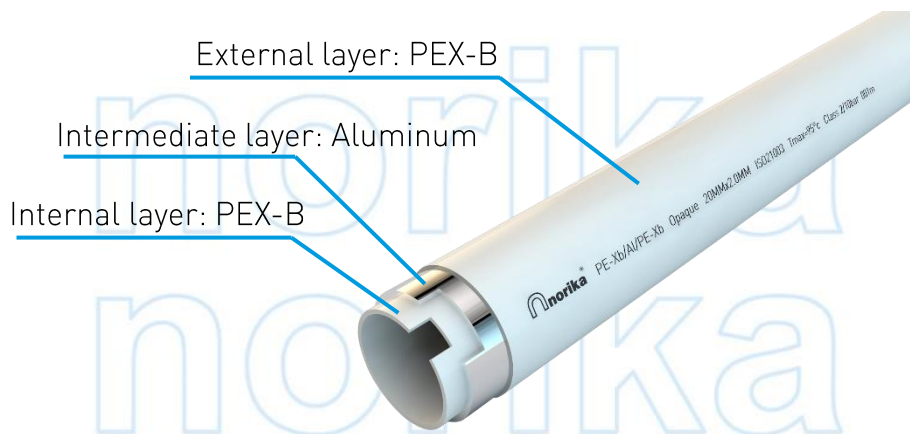


PEX-B/AL/PEX-B THREE LAYER PIPE

COMPLY WITH BS EN ISO 21003-1:2008
 BSEN ISO 21003-2:2008+A1:2011
 AS/NZS 4020:2005
 SS 375:2015



MULTILAYER PIPES

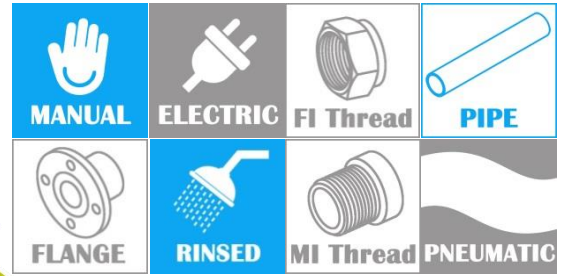


COMPONENTS	
Material Name	Advantages
PEX-B (Cross-linked Polyethylene)	Light weight, corrosion resistance, easy installation, and low cost.
Aluminum	Improves the compressive and impact resistance of pipes, ensuring their stability and effectively isolating them from oxygen penetration. This material is easy to cut, bendable, and non-rebounding.

STANDARD SPECIFICATION	
Working Pressure	10 Bar
Working Temperature	0 ~ 95°C
Applications	Hot and cold potable water system.
**Attention During Installation	Exclusively indoor installation only. (While there is some UV resistance, it may not be sufficient, so it's advisable to add a protective cover for enhanced protection.)

PEX-B/AL/PEX-B THREE LAYER PIPE

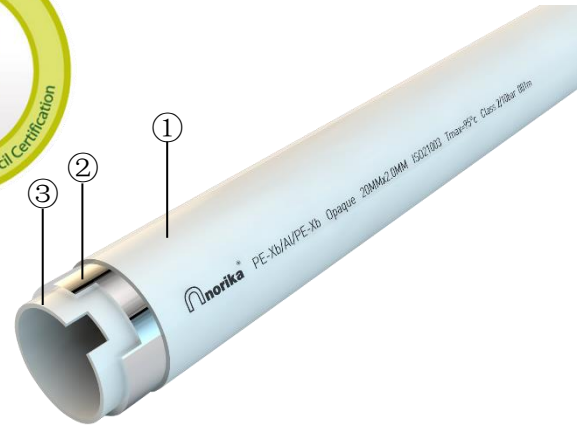
COMPLY WITH BS EN ISO 21003-1:2008
 BSEN ISO 21003-2:2008+A1:2011
 AS/NZS 4020:2005
 SS 375:2015



STRAIGHT TUBE
 SKU: PIPPEXL016~075



COILING TUBE
 SKU: PIPPEX016~032



****Exclusively indoor installation only.**

STANDARD SPECIFICATION	
Working Pressure	10 Bar
Working Temperature	0 ~ 95°C
Applications	Hot and cold potable water system.

COMPONENT PARTS		
ITEM	PARTS	MATERIAL
1	Outside layer	PEX-B
2	Middle layer	Aluminum
3	Inside layer	PEX-B

DIMENSIONS

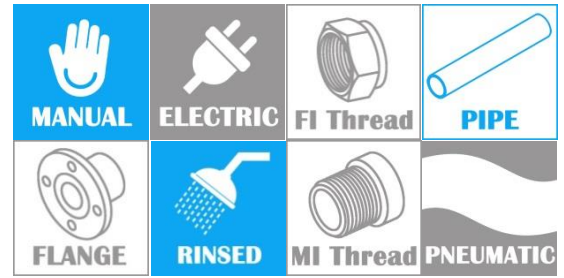
SKU	Outside Diameter (mm)	Inside Diameter (mm)	Thickness (mm)	Tolerance Of Pipe Thickness (mm)	Length (mm)	WEIGHT (kg/m)
PIPPEXL016	16	12	2.0	2.00~2.25	5800	0.121
PIPPEXL020	20	16	2.0	2.00~2.25	5800	0.166
PIPPEXL025	25	20	2.5	2.40~2.70	5800	0.235
PIPPEXL032	32	26	3.0	2.90~3.20	5800	1.040
PIPPEXL040	40	32	4.0	4.00~4.60	5800	0.567
PIPPEXL050	50	41	4.5	4.50~5.20	5800	0.820
PIPPEXL063	63	51	6.0	6.00~6.80	5800	1.334
PIPPEXL075	75	60	7.5	7.50~8.50	5800	1.893

DIMENSIONS

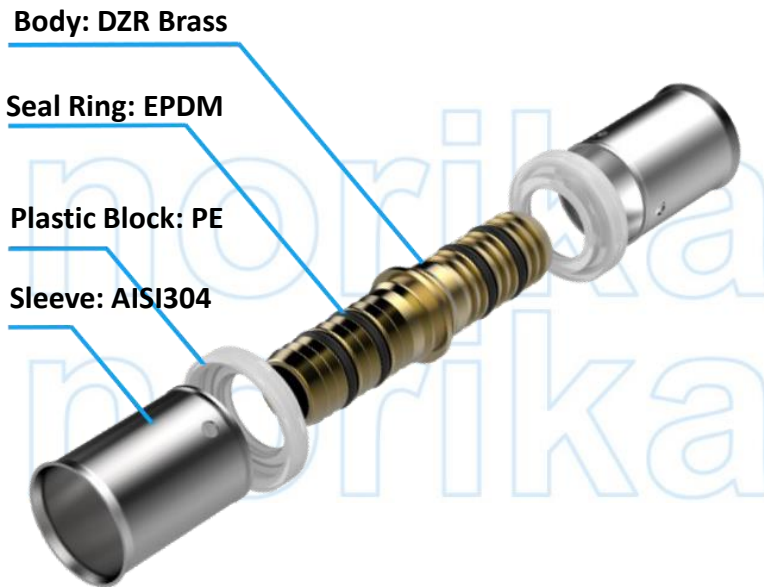
SKU	Outside Diameter (mm)	Inside Diameter (mm)	Thickness (mm)	Tolerance Of Pipe Thickness (mm)	WEIGHT (kg/m)	M/CTN
PIPPEX016	16	12	2.0	2.00~2.25	0.121	200M
PIPPEX020	20	16	2.0	2.00~2.25	0.166	200M
PIPPEX025	25	20	2.5	2.40~2.70	0.235	100M
PIPPEX032	32	26	3.0	2.90~3.20	1.040	50M

PEX MULTI LAYER PIPES AND FITTINGS

COMPLY WITH BS EN ISO 21003-1:2008
 BS EN ISO 21003-3:2008
 BS EN ISO 21003-5:2008
 BS EN 12165:2016
 AS/NZS 4020:2005 / 2018
 SS 375:2015



F5 PRESS-FIT



COMPONENTS:

Body

The main body of F5 PRESS-FIT is made out of Brass CW602N material, which greatly improves the corrosion resistance, eliminates processing stress, and ensures no cracking and dimensional stability.

Seal Ring

High-quality EPDM material with excellent weather resistance and corrosion resistance. Double seal to ensure no leakage.

Plastic Block

Safe and environmentally friendly PE material, with strong strength, effectively preventing the entry of impurities and protecting the fitting.

Sleeve

AISI304 material with weather resistance and corrosion resistance.

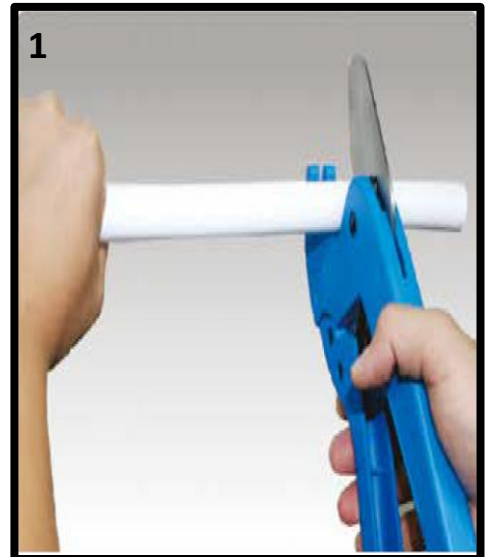
STANDARD SPECIFICATION

Working Pressure	10 Bar
Working Temperature	0 ~ 85°C
Applications	Hot and cold potable water system, Underfloor heating system

INSTALLATION GUIDE:

1. Pipe cutting

Cut the pipe vertically and precisely with a sharp pipe cutter.



2. Rounding and beveling

- **Multilayer pipe:**

Round and bevel the end holes with reamer.

- **Pex pipe:**

Round the end holes with reamer, no need to bevel.

If you want to insert quickly and easily, you can bevel the pipe.



INSTALLATION GUIDE:

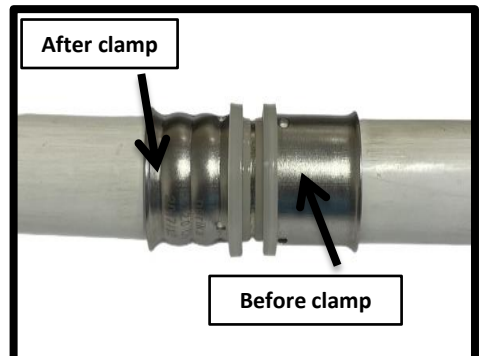
3. Inserting

Choose the right size sleeved-fitting for the pipe, then aim the pipe end at the ring-shape hole of the fitting integrated with sleeve and slide the fitting insert into the pipe until it reaches the plastic block. Check the inserting depth by looking through the inspection holes on the sleeve shoulder to ensure that the pipe is completely inserted.



4. Pressing

- ① Select jaw .
- ② Install jaw on to the Tool.
- ③ Adjust the Pressing Tool.
- ④ Open the Pressing Tool and position the tool right onto the sleeve.
- ⑤ Close the handles until the two touch points on the handles touch each other.
- ⑥ Please don't release the handles before the jaw is fully closed.



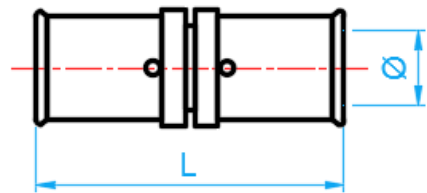
PEX PRESS-FIT FITTINGS (U PROFILE)



COMPLY WITH BS EN ISO 21003-1:2008
 BS EN ISO 21003-3:2008
 BS EN ISO 21003-5:2008
 BS EN 12165:2016
 AS/NZS 4020:2005
 SS 375:2015



F5 EQUAL SOCKET



SIDE VIEW

DIMENSIONS

SKU	SIZE (mm)	Ø (mm)	L (mm)	WEIGHT (kg)	PCS/CTN
PEXF5ES016	16	11.8	53.0	0.036	320
PEXF5ES020	20	15.8	53.0	0.043	224
PEXF5ES025	25	19.8	66.2	0.109	120
PEXF5ES032	32	25.8	66.2	0.144	90
PEXF5ES040	40	31.8	92.0	0.323	45
PEXF5ES050	50	40.8	92.0	0.463	35
PEXF5ES063	63	50.7	138.0	0.900	15
PEXF5ES075	75	59.6	138.5	1.250	10

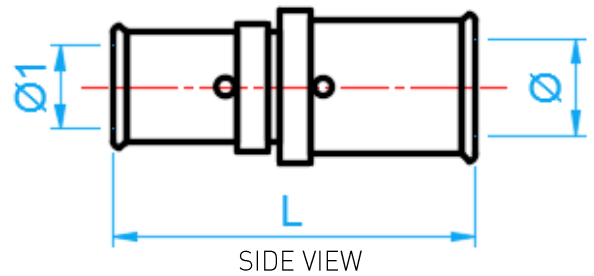
PEX PRESS-FIT FITTINGS (U PROFILE)



COMPLY WITH BS EN ISO 21003-1:2008
 BS EN ISO 21003-3:2008
 BS EN ISO 21003-5:2008
 BS EN 12165:2016
 AS/NZS 4020:2005
 SS 375:2015



F5 REDUCING SOCKET



DIMENSIONS

SKU	SIZE (mm)	ϕ (mm)	$\phi 1$ (mm)	L (mm)	WEIGHT (kg)	PCS/CTN
PEXF5RS02016	20x16	15.8	11.8	53.0	0.044	296
PEXF5RS02516	25x16	19.8	11.8	59.6	0.069	160
PEXF5RS02520	25x20	19.8	15.8	59.6	0.075	144
PEXF5RS03216	32x16	25.8	11.8	59.6	0.089	80
PEXF5RS03220	32x20	25.8	15.8	59.6	0.100	96
PEXF5RS03225	32x25	25.8	19.8	66.2	0.125	96
PEXF5RS04020	40x20	31.8	15.8	73.0	0.191	80
PEXF5RS04025	40x25	31.8	19.8	79.6	0.212	60
PEXF5RS04032	40x32	31.8	25.8	79.6	0.217	60
PEXF5RS05025	50x25	40.8	19.8	79.6	0.278	45
PEXF5RS05032	50x32	40.8	25.8	79.6	0.295	40
PEXF5RS05040	50x40	40.8	31.8	92.0	0.357	30
PEXF5RS06316	63x16	50.7	15.8	96.0	0.550	18
PEXF5RS06320	63x20	50.7	15.8	96.0	0.560	18
PEXF5RS06325	63x25	50.7	19.8	102.6	0.600	18
PEXF5RS06332	63x32	50.7	25.8	102.6	0.520	16
PEXF5RS06340	63x40	50.7	31.8	115.0	0.589	18
PEXF5RS06350	63x50	50.7	40.8	115.0	0.611	18
PEXF5RS07532	75x32	59.6	25.8	107.2	0.757	16
PEXF5RS07540	75x40	59.6	31.8	115.5	0.800	16
PEXF5RS07550	75x50	59.6	40.8	115.5	0.772	14
PEXF5RS07563	75x63	59.6	50.7	138.5	1.000	12

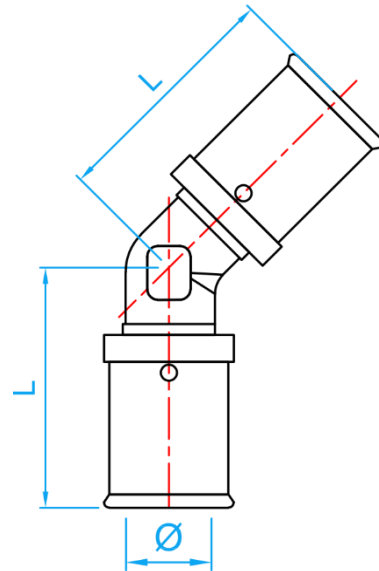
PEX PRESS-FIT FITTINGS (U PROFILE)



COMPLY WITH BS EN ISO 21003-1:2008
 BS EN ISO 21003-3:2008
 BS EN ISO 21003-5:2008
 BS EN 12165:2016
 AS/NZS 4020:2005
 SS 375:2015



F5 45° EQUAL ELBOW



SIDE VIEW

DIMENSIONS

SKU	SIZE (mm)	Ø (mm)	L (mm)	WEIGHT (kg)	PCS/CTN
PEXF5E45016	16	11.8	34.5	0.045	160
PEXF5E45020	20	15.8	37.0	0.067	144
PEXF5E45025	25	19.8	43.5	0.128	96
PEXF5E45032	32	25.8	44.5	0.200	45
PEXF5E45040	40	31.8	61.0	0.393	20
PEXF5E45050	50	40.8	64.0	0.567	15
PEXF5E45063	63	50.7	92.0	0.800	10
PEXF5E45075	75	59.6	92.0	1.583	6

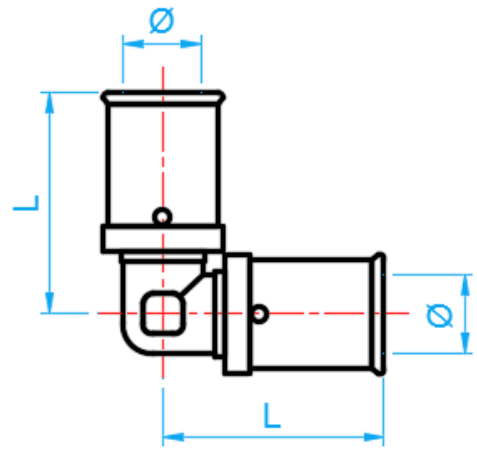
PEX PRESS-FIT FITTINGS (U PROFILE)



COMPLY WITH BS EN ISO 21003-1:2008
 BS EN ISO 21003-3:2008
 BS EN ISO 21003-5:2008
 BS EN 12165:2016
 AS/NZS 4020:2005
 SS 375:2015



F5 90° ELBOW



SIDE VIEW

DIMENSIONS

SKU	SIZE (mm)	ø (mm)	L (mm)	WEIGHT (kg)	PCS/CTN
PEXF5E90016	16	11.8	37.0	0.051	256
PEXF5E90020	20	15.8	40.5	0.071	176
PEXF5E90025	25	19.8	49.0	0.136	88
PEXF5E90032	32	25.8	52.0	0.194	48
PEXF5E90040	40	31.8	68.0	0.392	36
PEXF5E90050	50	40.8	73.0	0.571	24
PEXF5E90063	63	50.7	103.0	1.060	10
PEXF5E90075	75	59.6	108.5	1.567	6

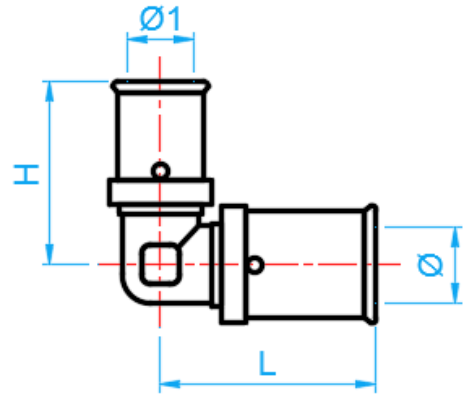
PEX PRESS-FIT FITTINGS (U PROFILE)



COMPLY WITH BS EN ISO 21003-1:2008
 BS EN ISO 21003-3:2008
 BS EN ISO 21003-5:2008
 BS EN 12165:2016
 AS/NZS 4020:2005
 SS 375:2015



F5 90° REDUCING ELBOW



SIDE VIEW

DIMENSIONS

SKU	SIZE (mm)	Ø (mm)	Ø1 (mm)	L (mm)	H (mm)	WEIGHT (kg)	PCS/CTN
PEXF5RE9002016	20X16	15.8	11.8	38.5	40.5	0.060	200
PEXF5RE9002516	25X16	19.8	11.8	45.5	42.5	0.092	128
PEXF5RE9002520	25X20	19.8	15.8	47.5	42.5	0.104	112
PEXF5RE9003216	32X16	25.8	11.8	45.5	46.0	-	-
PEXF5RE9003220	32X20	25.8	15.8	47.5	46.0	-	-
PEXF5RE9003225	32X25	25.8	19.8	49.5	52.5	0.160	80
PEXF5RE9004025	40X25	31.8	19.8	60.0	55.0	-	-
PEXF5RE9004032	40X32	31.8	25.8	64.0	55.1	-	-
PEXF5RE9005025	50X25	40.8	19.8	60.0	60.0	-	-
PEXF5RE9005032	50X32	40.8	25.8	64.0	60.0	-	-
PEXF5RE9005040	50X40	40.8	31.8	67.5	72.5	0.488	24
PEXF5RE9006332	63X32	50.7	25.8	87.0	67.0	-	-
PEXF5RE9006340	63X40	50.7	31.8	90.0	79.5	-	-
PEXF5RE9006350	63X50	50.7	40.8	95.5	79.5	0.938	8

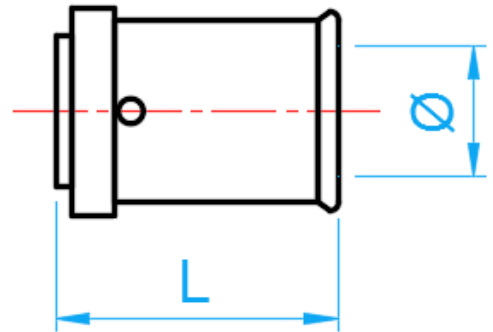
PEX PRESS-FIT FITTINGS (U PROFILE)



COMPLY WITH BS EN ISO 21003-1:2008
 BS EN ISO 21003-3:2008
 BS EN ISO 21003-5:2008
 BS EN 12165:2016
 AS/NZS 4020:2005
 SS 375:2015



F5 END CAP



SIDE VIEW

DIMENSIONS

SKU	SIZE (mm)	Ø (mm)	L (mm)	WEIGHT (kg)	PCS/CTN
PEXF5EC016	16	11.8	28.0	0.020	640
PEXF5EC020	20	15.8	28.0	0.029	448
PEXF5EC025	25	19.8	34.6	0.063	192
PEXF5EC032	32	25.8	34.6	0.094	128
PEXF5EC040	40	31.8	48.0	0.130	80
PEXF5EC050	50	40.8	48.0	0.184	72
PEXF5EC063	63	50.7	71	0.363	40
PEXF5EC075	75	59.6	71	0.665	20

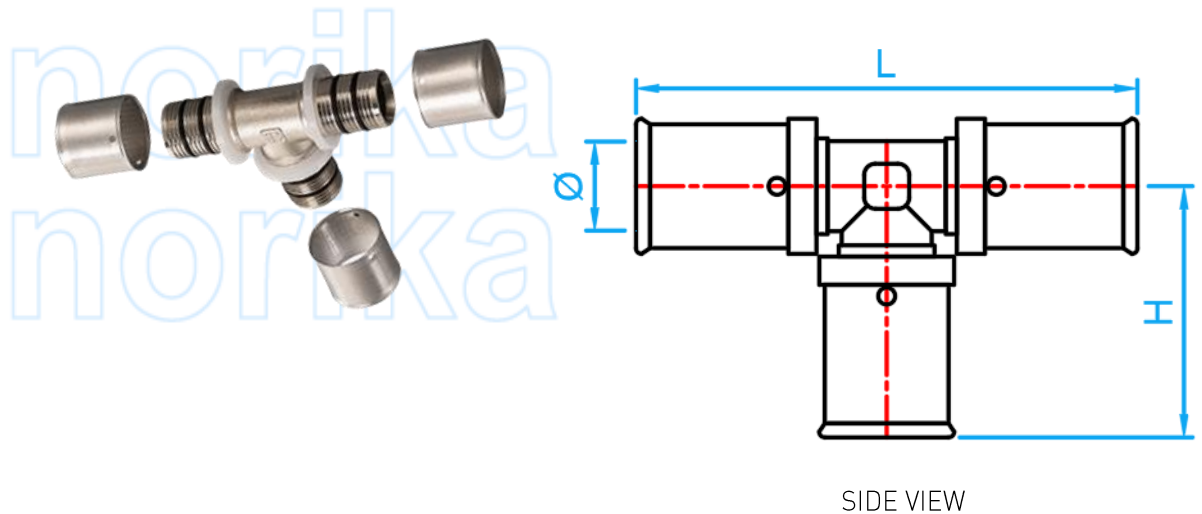
PEX PRESS-FIT FITTINGS (U PROFILE)



COMPLY WITH BS EN ISO 21003-1:2008
 BS EN ISO 21003-3:2008
 BS EN ISO 21003-5:2008
 BS EN 12165:2016
 AS/NZS 4020:2005
 SS 375:2015



F5 EQUAL TEE



SIDE VIEW

DIMENSIONS

SKU	SIZE (mm)	Ø (mm)	L (mm)	H (mm)	WEIGHT (kg)	PCS/CTN
PEXF5ET016	16	11.8	74	37.0	0.076	160
PEXF5ET020	20	15.8	80	40.0	0.100	112
PEXF5ET025	25	20.8	95	47.5	0.188	48
PEXF5ET032	32	25.8	101	50.5	0.272	32
PEXF5ET040	40	31.8	136	68.0	0.550	24
PEXF5ET050	50	40.8	145	72.5	0.811	18
PEXF5ET063	63	50.7	206	103.0	1.500	4
PEXF5ET075	75	59.6	216	108.0	2.167	4

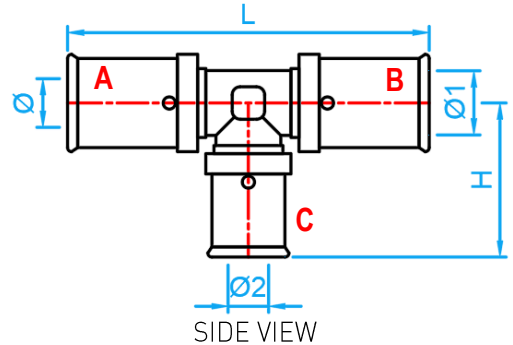
PEX PRESS-FIT FITTINGS (U PROFILE)



COMPLY WITH BS EN ISO 21003-1:2008
 BS EN ISO 21003-3:2008
 BS EN ISO 21003-5:2008
 BS EN 12165:2016
 AS/NZS 4020:2005
 SS 375:2015



F5 REDUCING TEE



DIMENSIONS

SKU (A*B*C)	SIZE (A*C*B)	Ø (mm)	Ø1 (mm)	Ø2 (mm)	L (mm)	H (mm)	WEIGHT (kg)	PCS/CTN
PEXF5RT0161620	16×20×16	11.8	11.8	15.8	-	-	0.086	120
PEXF5RT0161625	16×25×16	11.8	11.8	19.8	83.0	45.0	0.120	80
PEXF5RT0201616	20×16×16	15.8	11.8	11.8	76.0	40.0	0.088	120
PEXF5RT0202016	20×16×20	15.8	15.8	11.8	76.0	40.0	0.100	112
PEXF5RT0201620	20×20×16	15.8	11.8	15.8	80.0	40.0	0.088	120
PEXF5RT0202025	20×25×20	15.8	15.8	19.8	-	-	0.124	96
PEXF5RT0251616	25×16×16	19.8	11.8	11.8	-	-	0.110	96
PEXF5RT0252016	25×16×20	19.8	15.8	11.8	83.0	45.5	0.116	96
PEXF5RT0252516	25×16×25	19.8	19.8	11.8	87.0	41.5	0.142	72
PEXF5RT0251620	25×20×16	19.8	11.8	15.8	84.5	41.5	-	-
PEXF5RT0251625	25×25×16	19.8	11.8	19.8	-	-	0.157	70
PEXF5RT0252020	25×20×20	19.8	15.8	15.8	-	-	-	-
PEXF5RT0252520	25×20×25	19.8	19.8	15.8	91.0	41.5	0.155	64
PEXF5RT0252025	25×25×20	19.8	15.8	19.8	91.0	49.0	0.167	70
PEXF5RT0252532	25×32×25	19.8	19.8	25.8	-	-	-	70
PEXF5RT0323216	32×16×32	25.8	25.8	11.8	87.0	44.5	0.190	40
PEXF5RT0323220	32×20×32	25.8	25.8	15.8	91.0	44.5	0.213	40
PEXF5RT0323225	32×25×32	25.8	25.8	19.8	97.0	50.0	0.218	40
PEXF5RT0322525	32×25×25	25.8	19.8	19.8	97.0	50.0	0.213	40
PEXF5RT0404016	40×16×40	31.8	31.8	11.8	114.0	48.8	0.409	36
PEXF5RT0404020	40×20×40	31.8	31.8	15.8	114.0	48.5	0.389	36
PEXF5RT0404025	40×25×40	31.8	31.8	19.8	120.0	55.0	0.425	32
PEXF5RT0403232	40×32×32	31.8	25.8	25.8	115.5	55.0	0.402	36
PEXF5RT0404032	40×32×40	31.8	31.8	25.8	128.0	57.0	0.478	28
PEXF5RT0505016	50×16×50	40.8	40.8	11.8	114.0	53.0	0.534	20
PEXF5RT0505020	50×20×50	40.8	40.8	15.8	115.0	53.5	0.548	20
PEXF5RT0505025	50×25×50	40.8	40.8	19.8	120.0	53.5	0.547	20
PEXF5RT0505032	50×32×50	40.8	40.8	25.8	128.0	60.0	0.600	18
PEXF5RT0505040	50×40×50	40.8	40.8	31.8	136.0	73.0	0.680	18
PEXF5RT0636325	63×25×63	50.8	50.8	19.8	174.0	68.6	1.014	7
PEXF5RT0636332	63×32×63	50.8	50.8	25.8	174.0	67.0	1.014	7
PEXF5RT0636340	63×40×63	50.8	50.8	31.8	181.0	79.5	1.157	7
PEXF5RT0636350	63×50×63	50.8	50.8	40.8	191.0	79.5	1.390	8
PEXF5RT0757532	75×32×75	59.6	59.6	25.8	174.0	73.0	1.600	5
PEXF5RT0757540	75×40×75	59.6	59.6	31.8	194.0	87.0	1.880	4
PEXF5RT0757550	75×50×75	59.6	59.6	40.8	194.0	85.0	2.475	4
PEXF5RT0757563	75×63×75	59.6	59.6	50.8	205.0	109.0	2.250	4

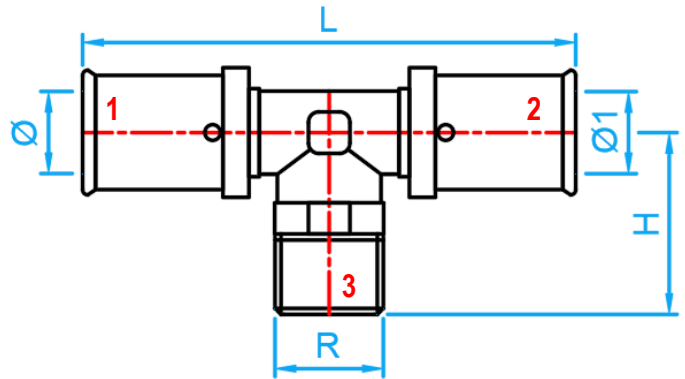
PEX PRESS-FIT FITTINGS (U PROFILE)



COMPLY WITH BS EN ISO 21003-1:2008
 BS EN ISO 21003-3:2008
 BS EN ISO 21003-5:2008
 BS EN 12165:2016
 AS/NZS 4020:2005
 SS 375:2015



F5 MI TEE



SIDE VIEW

DIMENSIONS

SKU	SIZE (mm x mm x inch)	Ø (mm)	Ø1 (mm)	R BSPT (inch)	L (mm)	H (mm)	WEIGHT (kg)	PCS/CTN
PEXF5MIT016	16×16×1/2"	11.8	11.8	1/2"	77	32.5	0.085	144
PEXF5MIT0161620	16×16×3/4"	11.8	11.8	3/4"	82	34.5	-	-
PEXF5MIT0202016	20×20×1/2"	15.8	15.8	1/2"	77	34.5	0.117	120
PEXF5MIT020	20×20×3/4"	15.8	15.8	3/4"	82	36.5	-	-
PEXF5MIT0252516	25×25×1/2"	19.8	19.8	1/2"	90	38.0	-	-
PEXF5MIT0252520	25×25×3/4"	19.8	19.8	3/4"	96	39.0	-	-
PEXF5MIT0323220	32×32×3/4"	25.8	25.8	3/4"	96	43.0	-	-
PEXF5MIT0323225	32×32×1"	25.8	25.8	1"	104	45.0	-	-
PEXF5MIT0505040	50×50×1 1/2"	40.8	40.8	1 1/2"	150	50.0	-	-

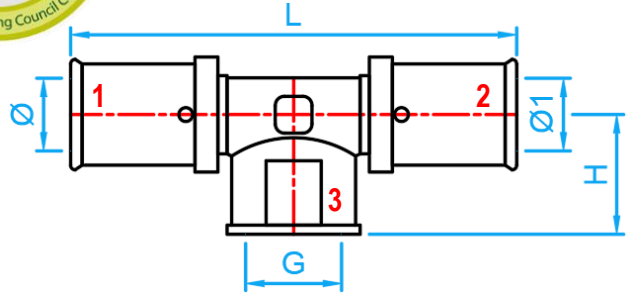
PEX PRESS-FIT FITTINGS (U PROFILE)



COMPLY WITH BS EN ISO 21003-1:2008
 BS EN ISO 21003-3:2008
 BS EN ISO 21003-5:2008
 BS EN 12165:2016
 AS/NZS 4020:2005
 SS 375:2015



F5 FI TEE



SIDE VIEW

DIMENSIONS

SKU	SIZE (mm x mm x inch)	Ø (mm)	Ø1 (mm)	G BSPT (inch)	L (mm)	H (mm)	WEIGHT (kg)	PCS/CTN
PEXF5FIT016	16×16×1/2"	11.8	11.8	1/2"	82	23	0.089	120
PEXF5FIT0161620	16×16×3/4"	11.8	11.8	3/4"	88	24	-	-
PEXF5FIT0202016	20×20×1/2"	15.8	15.8	1/2"	82	25	0.123	96
PEXF5FIT020	20×20×3/4"	15.8	15.8	3/4"	88	26	0.128	96
PEXF5FIT0252516	25×25×1/2"	19.8	19.8	1/2"	96	26	0.161	64
PEXF5FIT0252520	25×25×3/4"	19.8	19.8	3/4"	102	27	0.205	56
PEXF5FIT0323216	32×32×1/2"	25.8	25.8	1/2"	102	30	0.200	48
PEXF5FIT0323220	32×32×3/4"	25.8	25.8	3/4"	102	30	0.244	32
PEXF5FIT0323225	32×32×1"	25.8	25.8	1"	110	31	0.313	24
PEXF5FIT0403220	40×32×3/4"	31.8	25.8	3/4"	113.5	31	0.354	32
PEXF5FIT0404020	40×40×3/4"	31.8	31.8	3/4"	126	31	0.424	25
PEXF5FIT0404025	40×40×1"	31.8	31.8	1"	131	40	0.483	30
PEXF5FIT0404032	40×40×1 1/4"	31.8	31.8	1 1/4"	144	38	-	-
PEXF5FIT040	40×40×1 1/2"	31.8	31.8	1 1/2"	150	38	-	-
PEXF5FIT0504020	50×40×3/4"	40.8	31.8	3/4"	128	36	-	-
PEXF5FIT0505020	50×50×3/4"	40.8	40.8	3/4"	128	36	-	-
PEXF5FIT0505025	50×50×1"	40.8	40.8	1"	132	40	0.551	22
PEXF5FIT0505032	50×50×1 1/4"	40.8	40.8	1 1/4"	150	-	0.700	18
PEXF5FIT0505040	50×50×1 1/2"	40.8	40.8	1 1/2"	150	42	0.710	20
PEXF5FIT050	50×50×2"	40.8	40.8	2"	163	44	-	-
PEXF5FIT0635020	63×50×3/4"	50.7	40.8	3/4"	150	43	-	-
PEXF5FIT0636320	63×63×3/4"	50.7	50.7	3/4"	174	43	-	-
PEXF5FIT0636325	63×63×1"	50.7	50.7	1"	180	45	1.092	12
PEXF5FIT0636340	63×63×1 1/2"	50.7	50.7	1 1/2"	196	48	-	-
PEXF5FIT0636350	63×63×2"	50.7	50.7	2"	-	-	1.250	8
PEXF5FIT063	63×63×2 1/2"	50.7	50.7	2 1/2"	-	-	1.750	4
PEXF5FIT0757540	75×75×1 1/2"	59.6	59.6	1 1/2"	209	-	1.647	8
PEXF5FIT0757550	75×75×2"	59.6	59.6	2"	209	56	1.875	8
PEXF5FIT0757563	75×75×2 1/2"	59.6	59.6	2 1/2"	-	-	2.251	4

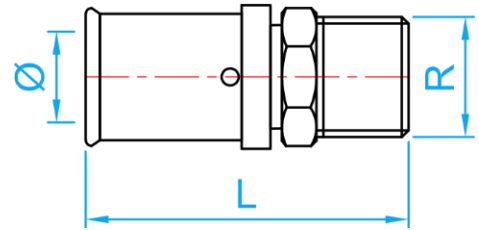
PEX PRESS-FIT FITTINGS (U PROFILE)



COMPLY WITH BS EN ISO 21003-1:2008
 BS EN ISO 21003-3:2008
 BS EN ISO 21003-5:2008
 BS EN 12165:2016
 AS/NZS 4020:2005
 SS 375:2015



F5 MI ADAPTOR



SIDE VIEW

DIMENSIONS

SKU	SIZE (mm x inch)	Ø (mm)	L (mm)	R BSPT (inch)	WEIGHT (kg)	PCS/CTN
PEXF5MIA01616	16×1/2"	11.8	46.0	1/2"	0.046	400
PEXF5MIA01620	16×3/4"	11.8	47.0	3/4"	0.065	320
PEXF5MIA01625	16×1"	11.8	48.0	1"	-	-
PEXF5MIA02016	20×1/2"	15.8	46.0	1/2"	0.056	320
PEXF5MIA02020	20×3/4"	15.8	47.0	3/4"	0.067	224
PEXF5MIA02516	25×1/2"	19.8	52.6	1/2"	0.095	144
PEXF5MIA02520	25×3/4"	19.8	54.0	3/4"	0.104	144
PEXF5MIA02525	25×1"	19.8	55.0	1"	-0.119	128
PEXF5MIA03220	32×3/4"	25.8	54.0	3/4"	0.141	96
PEXF5MIA03225	32×1"	25.8	55.0	1"	0.142	96
PEXF5MIA03232	32×1 1/4"	25.8	58.5	1 1/4"	0.181	90
PEXF5MIA04025	40×1"	30.8	76.0	1"	0.287	72
PEXF5MIA04032	40×1 1/4"	30.8	79.0	1 1/4"	0.310	60
PEXF5MIA04040	40×1 1/2"	30.8	79.5	1 1/2"	0.383	60
PEXF5MIA05025	50×1"	40.8	71.0	1"	-	-
PEXF5MIA05040	50×1 1/2"	40.8	79.0	1 1/2"	0.402	48
PEXF5MIA05050	50×2"	40.8	84.0	2"	0.475	40
PEXF5MIA06332	63×1 1/4"	50.7	101.5	1 1/4"	-	-
PEXF5MIA06342	63×1 1/2"	50.7	103.0	1 1/2"	-	-
PEXF5MIA06350	63×2"	50.7	107.0	2"	0.820	20
PEXF5MIA06363	63×2 1/2"	50.7	107.0	2 1/2"	1.038	20
PEXF5MIA07550	75×2"	59.6	111.0	2"	-	-
PEXF5MIA07563	75×2 1/2"	59.6	111.0	2 1/2"	1.180	14
PEXF5MIA07575	75×3"	59.6	111.0	3"	1.186	12

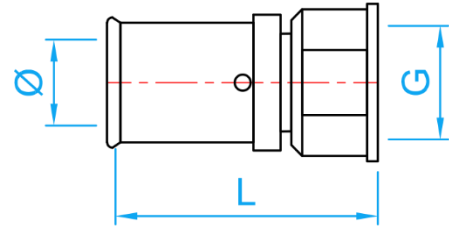
PEX PRESS-FIT FITTINGS (U PROFILE)



COMPLY WITH BS EN ISO 21003-1:2008
BS EN ISO 21003-3:2008
BS EN ISO 21003-5:2008
BS EN 12165:2016
AS/NZS 4020:2005
SS 375:2015



F5 FI ADAPTOR



SIDE VIEW

DIMENSIONS

SKU	SIZE (mm x inch)	Ø (mm)	L (mm)	G BSP (inch)	WEIGHT (kg)	PCS/CTN
PEXF5FIA01616	16×1/2"	11.8	42.5	1/2"	0.051	320
PEXF5FIA01620	16×3/4"	11.8	44.0	3/4"	0.069	240
PEXF5FIA02016	20×1/2"	15.8	42.5	1/2"	0.054	280
PEXF5FIA02020	20×3/4"	15.8	44.0	3/4"	0.075	240
PEXF5FIA02025	20×1"	15.8	45.5	1"	-	-
PEXF5FIA02516	25×1/2"	19.8	49.0	1/2"	0.078	160
PEXF5FIA02520	25×3/4"	19.8	50.5	3/4"	0.086	160
PEXF5FIA02525	25×1"	19.8	52.0	1"	0.135	96
PEXF5FIA03220	32×3/4"	25.8	50.5	3/4"	0.111	128
PEXF5FIA03225	32×1"	25.8	52.0	1"	0.141	96
PEXF5FIA03232	32×1 1/4"	25.8	54.5	1 1/4"	0.177	84
PEXF5FIA04025	40×1"	31.8	66.0	1"	0.250	80
PEXF5FIA04032	40×1 1/4"	31.8	67.0	1 1/4"	0.290	72
PEXF5FIA04040	40×1 1/2"	31.8	68.5	1 1/2"	0.330	60
PEXF5FIA05025	50×1"	40.8	66.0	1"	0.350	48
PEXF5FIA05032	50×1 1/4"	40.8	68.5	1 1/4"	-	-
PEXF5FIA05040	50×1 1/2"	40.8	69.0	1 1/2"	0.375	40
PEXF5FIA05050	50×2"	40.8	75.0	2"	0.545	32
PEXF5FIA06325	63×1"	50.7	88.0	1"	0.595	20
PEXF5FIA06340	63×1 1/2"	50.7	92.0	1 1/2"	-	-
PEXF5FIA06350	63×2"	50.7	98.0	2"	0.720	20
PEXF5FIA06363	63×2 1/2"	50.7	98.0	2 1/2"	0.929	16
PEXF5FIA07540	75×1 1/2"	59.6	94.0	1 1/2"	-	-
PEXF5FIA07563	75×2 1/2"	59.6	107.0	2 1/2"	1.089	12

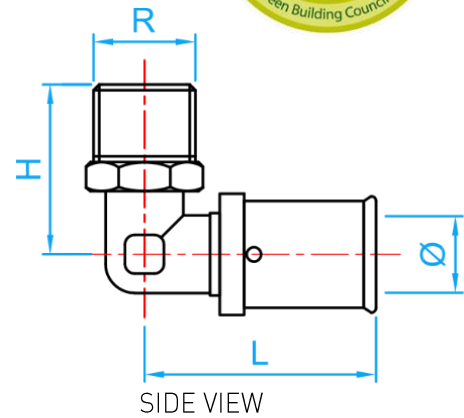
PEX PRESS-FIT FITTINGS (U PROFILE)



COMPLY WITH BS EN ISO 21003-1:2008
 BS EN ISO 21003-3:2008
 BS EN ISO 21003-5:2008
 BS EN 12165:2016
 AS/NZS 4020:2005
 SS 375:2015



F5 MI ELBOW



DIMENSIONS

SKU	SIZE (mm x inch)	Ø (mm)	R BSPT (inch)	L (mm)	H (mm)	WEIGHT (kg)	PCS/CTN
PEXF5MIE01616	16 × 1/2"	11.8	1/2"	38.5	31.5	0.061	200
PEXF5MIE01620	16 × 3/4"	11.8	3/4"	41.0	33.5	0.086	160
PEXF5MIE01625	16 × 1"	11.8	1"	45.0	35.5	-	-
PEXF5MIE02016	20 × 1/2"	15.8	1/2"	38.5	33.5	0.074	192
PEXF5MIE02020	20 × 3/4"	15.8	3/4"	41.0	35.5	0.096	120
PEXF5MIE02025	20 × 1"	15.8	1"	45.0	37.5	-	-
PEXF5MIE02516	25 × 1/2"	19.8	1/2"	45.0	36.0	0.108	80
PEXF5MIE02520	25 × 3/4"	19.8	3/4"	48.0	37.0	0.126	96
PEXF5MIE02525	25 × 1"	19.8	1"	52.0	39.0	0.163	96
PEXF5MIE03220	32 × 3/4"	25.8	3/4"	48.5	42.0	-	-
PEXF5MIE03225	32 × 1"	25.8	1"	52.0	43.0	0.200	64
PEXF5MIE03232	32 × 1 1/4"	25.8	1 1/4"	57.0	46.0	0.299	64
PEXF5MIE04025	40 × 1"	31.8	1"	68.0	42.0	0.295	40
PEXF5MIE04032	40 × 1 1/4"	31.8	1 1/4"	71.0	44.5	0.352	30
PEXF5MIE05025	50 × 1"	40.8	1"	68.0	44.5	-	-
PEXF5MIE05040	50 × 1 1/2"	40.8	1 1/2"	75.0	50.0	0.479	24
PEXF5MIE05050	50 × 2"	40.8	2"	82.0	53.5	-	-
PEXF5MIE06340	63 × 1 1/2"	50.7	1 1/2"	98.0	55.0	-	-
PEXF5MIE06350	63 × 2"	50.7	2"	105.0	60.0	-	-

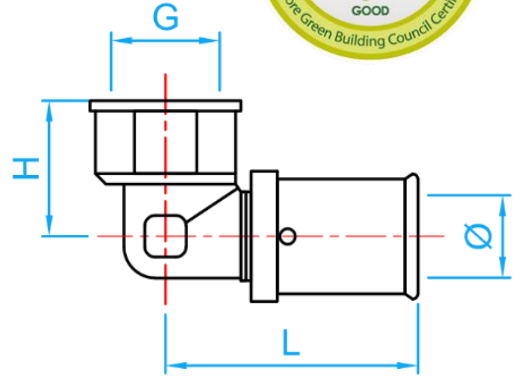
PEX PRESS-FIT FITTINGS (U PROFILE)



COMPLY WITH BS EN ISO 21003-1:2008
 BS EN ISO 21003-3:2008
 BS EN ISO 21003-5:2008
 BS EN 12165:2016
 AS/NZS 4020:2005
 SS 375:2015



F5 FI ELBOW



SIDE VIEW

DIMENSIONS

SKU	SIZE (mm x inch)	Ø (mm)	G BSP (inch)	L (mm)	H (mm)	WEIGHT (kg)	PCS/CTN
PEXF5FIE016	16×1/2"	11.8	1/2"	41	23	0.067	240
PEXF5FIE01620	16×3/4"	11.8	3/4"	44.0	24.0	0.086	144
PEXF5FIE02016	20×1/2"	15.8	1/2"	41.0	25.0	0.077	176
PEXF5FIE020	20×3/4"	15.8	3/4"	44.0	26.0	0.099	120
PEXF5FIE02025	20×1"	15.8	1"	48.0	26.5	-	-
PEXF5FIE02516	25×1/2"	19.8	1/2"	48.0	26.0	0.109	96
PEXF5FIE02520	25×3/4"	19.8	3/4"	51.0	27.0	0.129	80
PEXF5FIE025	25×1"	19.8	1"	55.0	28.0	0.158	72
PEXF5FIE03220	32×3/4"	25.8	3/4"	51.0	29.5	0.164	72
PEXF5FIE03225	32×1"	25.8	1"	55.0	30.5	0.195	64
PEXF5FIE032	32×1 1/4"	25.8	1 1/4"	60.0	34.0	0.262	78
PEXF5FIE04025	40×1"	31.8	1"	65.5	33.0	0.260	40
PEXF5FIE04032	40×1 1/4"	31.8	1 1/4"	72.0	38.0	0.360	25
PEXF5FIE040	40×1 1/2"	31.8	1 1/2"	75.0	38.0	0.412	25
PEXF5FIE05025	50×1"	40.8	1"	66.5	37.0	0.368	25
PEXF5FIE05040	50×1 1/2"	40.8	1 1/2"	75.0	42.0	0.483	30
PEXF5FIE050	50×2"	40.8	2"	81.5	48.0	0.625	24
PEXF5FIE06325	63×1"	50.7	1"	90.0	42.0	-	-
PEXF5FIE06350	63×2"	50.7	2"	104.5	49.0	-	-

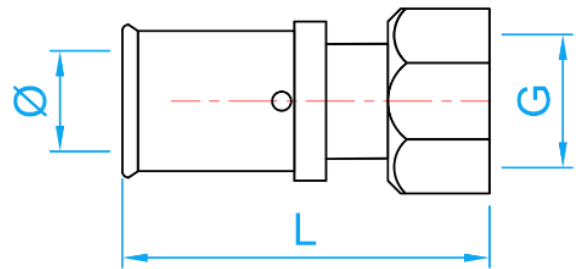
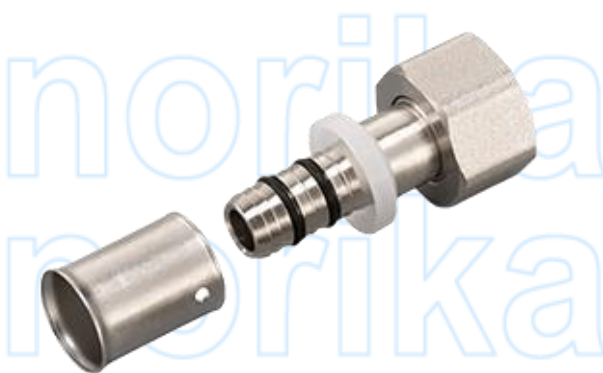
PEX PRESS-FIT FITTINGS (U PROFILE)



COMPLY WITH BS EN ISO 21003-1:2008
 BS EN ISO 21003-3:2008
 BS EN ISO 21003-5:2008
 BS EN 12165:2016
 AS/NZS 4020:2005
 SS 375:2015



F5 DEMOUNTABLE FEMALE STRAIGHT UNION



SIDE VIEW

DIMENSIONS

SKU	SIZE (mm x inch)	Ø (mm)	G BSP (inch)	L (mm)	WEIGHT (kg)	PCS/CTN
PEXF5FJC016	16 × 1/2"	11.8	1/2"	51.0	0.060	384
PEXF5FJC01620	16 × 3/4"	15.8	1/2"	52.0	0.077	200
PEXF5FJC02016	16 × 1/2"	15.8	1/2"	52.0	0.067	240
PEXF5FJC020	20 × 3/4"	15.8	3/4"	52.5	0.089	192
PEXF5FJC02520	25 × 3/4"	19.8	3/4"	58.5	0.111	144
PEXF5FJC025	25 × 1"	19.8	1"	61.0	0.156	96
PEXF5FJC03225	32 × 1"	25.8	1"	61.0	0.172	96
PEXF5FJC032	32 × 1 1/4"	25.8	1 1/4"	62.5	-	-
PEXF5FJC04032	40 × 1 1/4"	31.8	1 1/4"	78.0	-	-
PEXF5FJC05040	50 × 1 1/2"	40.8	1 1/2"	83.5	-	-

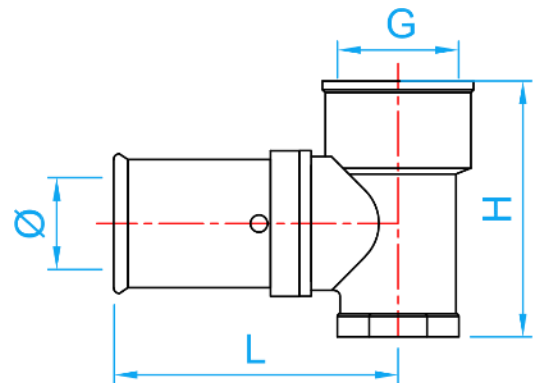
PEX PRESS-FIT FITTINGS (U PROFILE)



COMPLY WITH BS EN ISO 21003-1:2008
 BS EN ISO 21003-3:2008
 BS EN ISO 21003-5:2008
 BS EN 12165:2016
 AS/NZS 4020:2005
 SS 375:2015



F5 FI WALLPLATE ELBOW



SIDE VIEW

DIMENSIONS

SKU	SIZE (mm x inch)	\varnothing (mm)	L (mm)	G BSP (inch)	H (mm)	WEIGHT (kg)	PCS/CTN
PEXF5FE016	16 × 1/2"	11.8	41.5	1/2"	38.5	0.096	112
PEXF5FE01620	16 × 3/4"	11.8	44.0	3/4"	43.0	-	-
PEXF5FE02016	20 × 1/2"	15.8	41.5	1/2"	43.0	0.108	96
PEXF5FE020	20 × 3/4"	15.8	44.0	3/4"	44.0	0.135	96
PEXF5FE02520	25 × 3/4"	19.8	50.5	3/4"	48.0	0.177	64

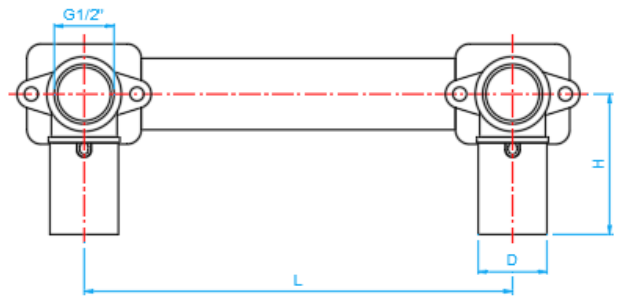
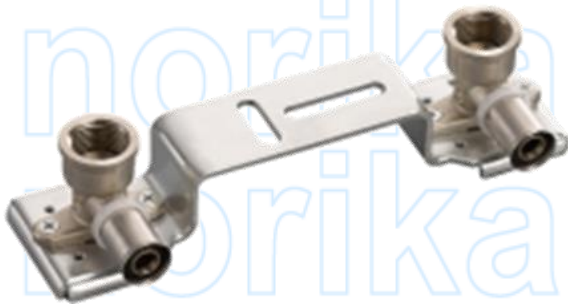
PEX PRESS-FIT FITTINGS (U PROFILE)



COMPLY WITH BS EN ISO 21003-1:2008
 BS EN ISO 21003-3:2008
 BS EN ISO 21003-5:2008
 BS EN 12165:2016
 AS/NZS 4020:2005
 SS 375:2015



F5 ASSEMBLY DOUBLE ELBOW



SIDE VIEW

DIMENSIONS

SKU	SIZE (mm)	D (mm)	L (mm)	H (mm)	WEIGHT (kg)	PCS/CTN
PEXF5FE016S	16X1/2"	11.8	150	49.5	0.415	20
PEXF5FE02016S	20X1/2"	15.8	150	51.0	0.450	16