

NORIKA COPPER CAPILLARY FITTINGS





TEST CERTIFICATE

POTABLE WATER FITTINGS SCHEME

Certificate Number : TC-J0120
Issue No : 05

This Certificate is awarded to the following product(s) which has / have complied with the requirements of the listed standard(s) in accordance with Stipulation of Standards and Requirements for Water Fittings for Use in Potable Water Service Installations.

Client : **Liang Chew Hardware Pte Ltd**
 133 Kitchener Road
 Singapore 208517

Product : Copper Capillary Fittings

Brand / Model : Norika / MBL

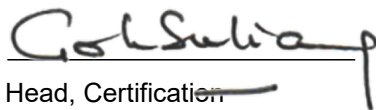
Detail : Diameter (mm): 15, 22, 28, 35, 42, 54, 67, 76,
 108 & 159

Test Standard(s) : BS EN 1254-1 & 2: 1998, BS EN 1982: 2017,
 AS/NZS 4020: 2018

Test Report(s) : 2423799-CPC, 2423082-LCH, 2222131/02-CPC,
 21501001-OYC, 7191081605-MEC14-LNB,
 7191081605-MEC14-SBT,
 7191081605-CHM14-EKH-02,
 7191081605-CHM14-KPF-CR1

A sample of the product submitted was tested and found to comply with the test requirements of the above standard(s).

Date of Original Issue : 19 December 2019
Date of Last Revision : 07 November 2025
Date of Expiry : 18 December 2027


 Head, Certification
 Singapore Test Lab Pte Ltd

This Certificate is part of a full report and should be read in conjunction with it. This Certificate remains the property of Singapore Test Lab Pte Ltd and shall be returned upon request. The use of this Certificate is subjected to the Terms and Conditions of Singapore Test Lab Pte Ltd. The manufacturer is solely responsible for the compliance of any product that has the same designation as the product type tested.



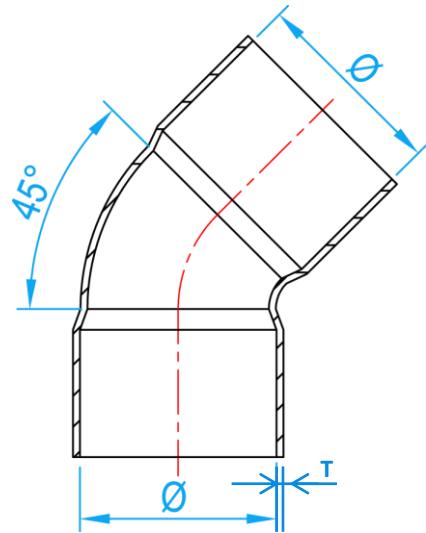
Singapore Test Lab Pte Ltd certifies according to ISO / IEC 17065



CAPILLARY FITTING

45° ELBOW

COMPLY WITH BS EN 1254-1



CROSS SECTIONAL VIEW

COMPONENTS PARTS

PARTS	MATERIAL
ELBOW	COPPER

DIMENSIONS

SKU	DN ø (mm)	T (mm)	WEIGHT (Kg)	PCS/CTN
MBLE45015	15	0.7	0.011	1250
MBLE45020	22	0.9	0.027	500
MBLE45025	28	0.9	0.039	250
MBLE45035	35	1.0	0.076	150
MBLE45042	42	1.1	0.121	85
MBLE45050	54	1.4	0.186	44
MBLE45065	67	1.7	0.307	25
MBLE45080	76	1.7	0.415	20
MBLE45100	108	2.1	1.108	8
MBLE45150	159	2.5	2.510	2

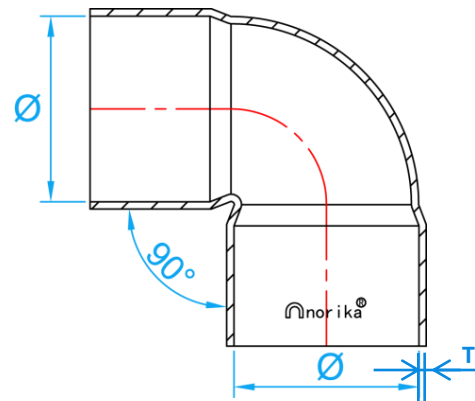
 Note: The weight tolerance standard is $\pm 5\%$

CAPILLARY FITTING

90° ELBOW



COMPLY WITH BS EN 1254-1



CROSS SECTIONAL VIEW

COMPONENTS PARTS

PARTS	MATERIAL
REDUCER	COPPER

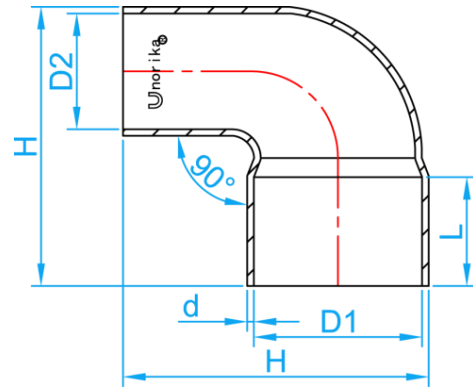
DIMENSIONS

SKU	DN Ø (mm)	T (mm)	WEIGHT (Kg)	PCS/CTN
MBLE90015	15	0.7	0.011	1250
MBLE90020	22	0.9	0.028	450
MBLE90025	28	0.9	0.046	250
MBLE90035	35	1.0	0.087	100
MBLE90042	42	1.1	0.134	70
MBLE90050	54	1.4	0.224	40
MBLE90065	67	1.7	0.356	22
MBLE90080	76	1.7	0.480	16
MBLE90100	108	2.1	1.433	5
MBLE90150	159	2.5	2.725	2

 Note: The weight tolerance standard is $\pm 5\%$

COPPER REDUCING 90° ELBOW

COMPLY WITH BS EN 1254-1



CROSS SECTIONAL VIEW

COMPONENTS PARTS

PARTS	MATERIAL
Elbow	Copper

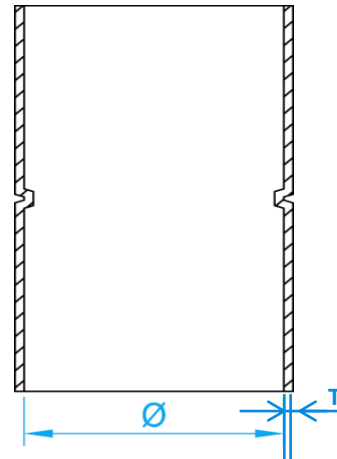
DIMENSIONS

SKU	SIZE (mm)	D1 (mm)	D2 (mm)	d (mm)	L [mm]	H [mm]	WEIGHT (Kg)	PCS/CTN
MBLRE9002015	22 x 15	22	15	0.9	15.4	35	0.021	500
MBLRE9002515	28 x 15	28	15	0.9	17.0	37	0.032	200
MBLRE9002520	28 x 22	28	22	0.9	19.0	46	0.040	200

 NOTE: The weight tolerance standard is $\pm 5\%$.

CAPILLARY FITTING EQUAL SOCKET WITH ROLL-STOP

COMPLY WITH BS EN 1254-1



CROSS SECTIONAL VIEW

COMPONENTS PARTS

PARTS	MATERIAL
EQUAL SOCKET	COPPER

DIMENSIONS

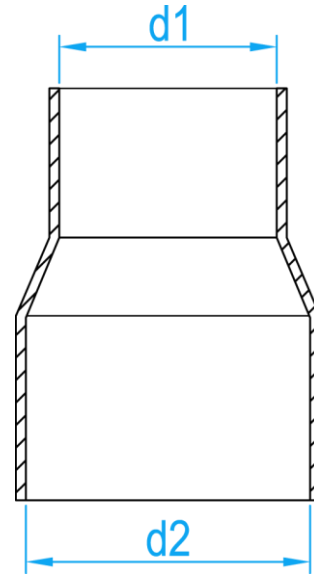
SKU	DN Ø (mm)	T (mm)	WEIGHT (Kg)	PCS/CTN
MBLES015	15	0.7	0.007	2000
MBLES020	22	0.9	0.019	750
MBLES025	28	0.9	0.029	340
MBLES035	35	1.0	0.050	240
MBLES042	42	1.1	0.071	130
MBLES050	54	1.4	0.132	72
MBLES065	67	1.7	0.206	44
MBLES080	76	1.7	0.269	36
MBLES100	108	2.1	0.732	12
MBLES150	159	2.7	1.200	4

 Note: The weight tolerance standard is $\pm 5\%$

CAPILLARY REDUCER

COMPLY WITH BS EN 1254-1

REDUCER



CROSS SECTIONAL VIEW

COMPONENTS PARTS

PARTS	MATERIAL
REDUCER	COPPER

DIMENSIONS

SKU	d2 (mm)	d1 (mm)	WEIGHT (Kg)	PCS/CTN
MBLRS01512	15	12	0.007	1000
MBLRS02015	22	15	0.018	1200
MBLRS02515	28	15	0.024	810
MBLRS02520	28	22	0.030	810
MBLRS03515	35	15	0.047	360
MBLRS03520	35	22	0.043	360
MBLRS03525	35	28	0.047	360
MBLRS04215	42	15	0.060	200
MBLRS04220	42	22	0.068	200
MBLRS04225	42	28	0.087	200
MBLRS04235	42	35	0.074	200
MBLRS05015	54	15	0.109	128
MBLRS05020	54	22	0.109	128
MBLRS05025	54	28	0.108	120
MBLRS05035	54	35	0.115	120
MBLRS05042	54	42	0.123	120

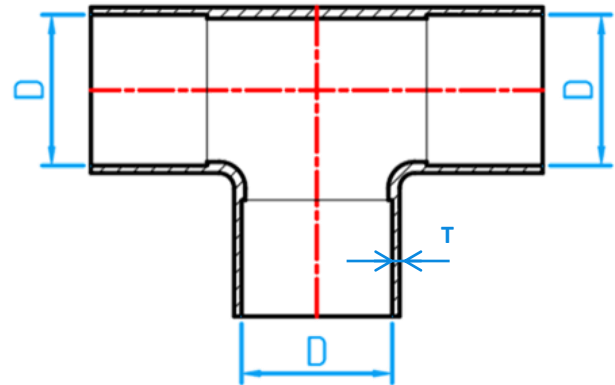
DIMENSIONS

SKU	d2 (mm)	d1 (mm)	WEIGHT (Kg)	PCS/CTN
MBLRS06515	67	15	0.185	60
MBLRS06520	67	22	0.244	60
MBLRS06525	67	28	0.174	60
MBLRS06535	67	35	0.235	60
MBLRS06542	67	42	0.189	60
MBLRS06550	67	54	0.208	45
MBLRS08025	76	28	0.280	45
MBLRS08035	76	35	0.297	45
MBLRS08042	76	42	0.333	45
MBLRS08050	76	54	0.258	45
MBLRS08065	76	67	0.285	45
MBLRS10050	108	54	0.807	20
MBLRS10065	108	67	0.630	20
MBLRS10080	108	76	0.849	20
MBLRS150100	159	108	1.780	2

 Note: The weight tolerance standard is $\pm 5\%$

CAPILLARY FITTING EQUAL TEE

COMPLY WITH BS EN 1254-1



CROSS SECTIONAL VIEW

COMPONENTS PARTS

PARTS	MATERIAL
EQUAL TEE	COPPER

DIMENSIONS

SKU	DN (mm)	D (mm)	T (mm)	WEIGHT (Kg)	PCS/CTN
MBLET015	15	15	0.7	0.019	750
MBLET020	22	22	0.9	0.052	250
MBLET025	28	28	0.9	0.089	120
MBLET035	35	35	1.0	0.131	70
MBLET042	42	42	1.1	0.218	50
MBLET050	54	54	1.4	0.370	24
MBLET065	67	66	1.7	0.601	14
MBLET080	76	76	1.7	0.830	10
MBLET100	108	108	2.1	2.370	4
MBLET150	159	159	2.5	4.635	1

 Note: The weight tolerance standard is $\pm 5\%$

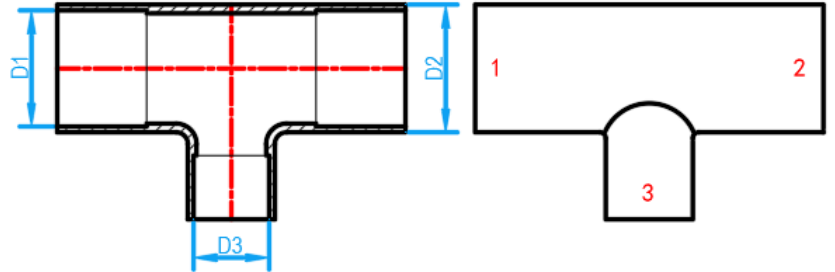
CAPILLARY REDUCER TEE

COMPLY WITH BS EN 1254-1



COMPONENTS PARTS

PARTS	MATERIAL
REDUCER TEE	COPPER



CROSS SECTIONAL VIEW

DIMENSIONS

SKU	D1 (mm)	D2 (mm)	D3 (mm)	WEIGHT (Kg)	PCS/CTN
MBLRT0151520	15	15	22	0.041	350
MBLRT0201515	22	15	15	0.037	300
MBLRT0202015	22	22	15	0.039	350
MBLRT0202025	22	22	28	0.041	150
MBLRT0201520	22	15	22	0.056	250
MBLRT0251525	28	15	28	0.081	150
MBLRT0252015	28	22	15	0.065	150
MBLRT0252020	28	22	22	0.075	160
MBLRT0252025	28	20	28	0.083	130
MBLRT0252515	28	28	15	0.058	200
MBLRT0252520	28	28	22	0.074	150
MBLRT0252535	28	28	35	0.153	100
MBLRT0352515	35	28	15	0.135	130
MBLRT0352525	35	28	28	0.116	130
MBLRT0352535	35	28	35	0.134	130
MBLRT0353515	35	35	15	0.085	130
MBLRT0353520	35	35	22	0.103	110
MBLRT0353525	35	35	28	0.120	80
MBLRT0424215	42	42	15	0.130	60
MBLRT0424220	42	42	22	0.139	60
MBLRT0424225	42	42	28	0.155	50
MBLRT0424235	42	42	35	0.178	50
MBLRT0504242	54	42	42	0.310	14
MBLRT0505015	54	54	15	0.220	50
MBLRT0505020	54	54	22	0.240	48

DIMENSIONS

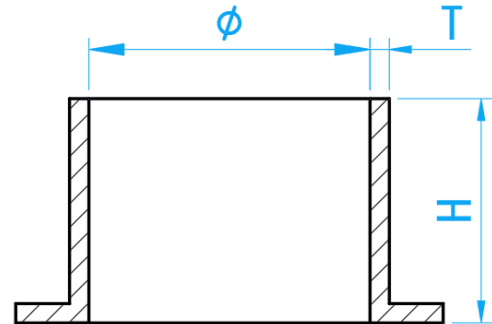
SKU	D1 (mm)	D2 (mm)	D3 (mm)	WEIGHT (Kg)	PCS/CTN
MBLRT0505025	54	54	28	0.254	36
MBLRT0505035	54	54	35	0.285	32
MBLRT0505042	54	54	42	0.313	32
MBLRT0656515	67	67	15	0.342	32
MBLRT0656520	67	67	22	0.380	30
MBLRT0656525	67	67	28	0.407	25
MBLRT0656535	67	67	35	0.441	25
MBLRT0656542	67	67	42	0.515	20
MBLRT0656550	67	67	54	0.549	15
MBLRT0808015	76	76	15	0.553	24
MBLRT0808020	76	76	22	0.553	20
MBLRT0808025	76	76	28	0.624	20
MBLRT0808035	76	76	35	0.515	20
MBLRT0808042	76	76	42	0.635	15
MBLRT0808050	76	76	54	0.710	15
MBLRT0808065	76	76	67	0.770	12
MBLRT10010025	108	108	28	1.100	8
MBLRT10010035	108	108	35	1.205	6
MBLRT10010042	108	108	42	1.430	6
MBLRT10010050	108	108	54	1.770	5
MBLRT10010065	108	108	67	1.595	5
MBLRT10010080	108	108	76	-	5
MBLRT15015050	108	108	54	2.500	2
MBLRT150150100	159	159	108	4.000	2

 Note: The weight tolerance standard is $\pm 5\%$

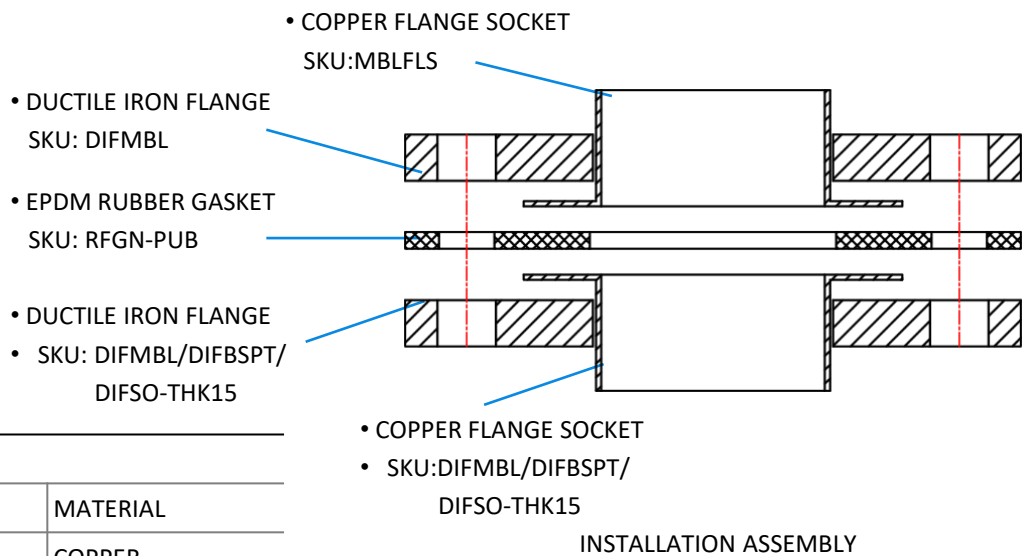
COPPER CAPILLARY FITTINGS FLANGE SOCKET (COMPOSITE FEMALE FLANGE PN16)



COMPLY WITH BS EN 1254-1



CROSS SECTIONAL VIEW


COMPONENT PARTS

PARTS	MATERIAL
FLANGE SOCKET	COPPER

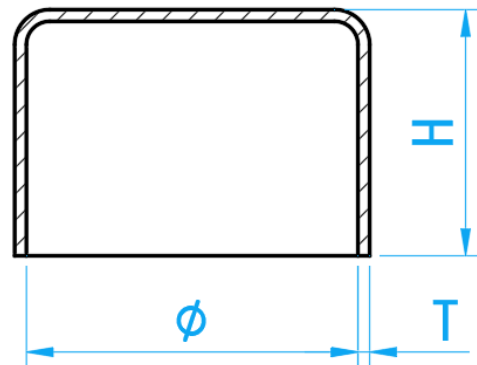
DIMENSIONS

SKU	SIZE (mm)	H (mm)	T (mm)	WEIGHT (Kg)	PCS/CTN
MBLFLS020	22	17.0	0.9	0.040	100
MBLFLS025	28	19.5	0.9	0.045	100
MBLFLS035	35	23.0	1.0	0.045	170
MBLFLS042	42	28.0	1.1	0.056	170
MBLFLS050	54	28.5	1.4	0.146	75
MBLFLS065	67	35.0	1.7	0.175	40
MBLFLS080	76	36.0	1.7	0.259	30
MBLFLS100	108	50.0	2.1	0.545	12
MBLFLS150	159	50.0	2.7	1.527	4

 Note: The weight tolerance standard is $\pm 5\%$

COPPER CAPILLARY FITTINGS END CAP

COMPLY WITH BS EN 1254-1



CROSS SECTIONAL VIEW

COMPONENT PARTS

PARTS	MATERIAL
END CAP	COPPER

DIMENSIONS

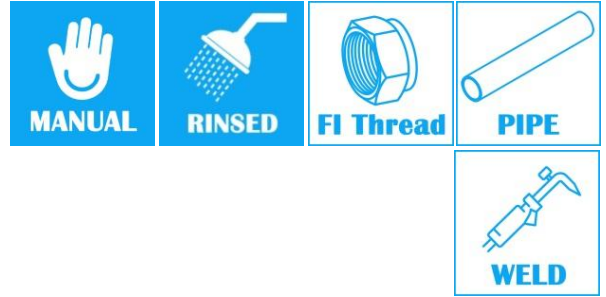
SKU	DN D(mm)	H (mm)	T (mm)	WEIGHT (Kg)	PCS/CTN
MBLEC015	15	11.0	0.7	0.006	3300
MBLEC020	22	15.4	0.9	0.014	1300
MBLEC025	28	18.4	0.9	0.021	720
MBLEC035	35	23.0	1.0	0.039	400
MBLEC042	42	27.0	1.1	0.058	250
MBLEC050	54	27.0	1.4	0.098	120
MBLEC065	67	33.0	1.7	0.162	50
MBLEC080	76	33.5	1.7	0.281	50
MBLEC100	108	47.5	2.1	0.572	24
MBLEC150*	159	48.5	2.7	1.330	4

 Note: The weight tolerance standard is $\pm 5\%$

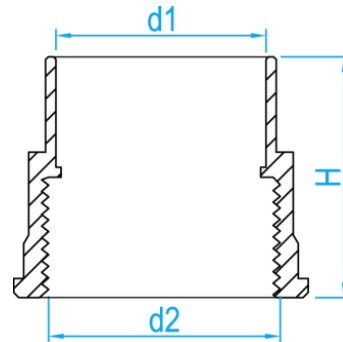
*This item requires special ordering. Please consult with a salesperson for the estimated lead time.

COPPER CAPILLARY FITTING

COMPLY WITH BS EN 1254-1
AS/NZS 4020
BS EN 1982



MBL x FI ADAPTOR



CROSS SECTIONAL VIEW

COMPONENT PARTS

PARTS	MATERIAL
Body	Bronze

DIMENSIONS

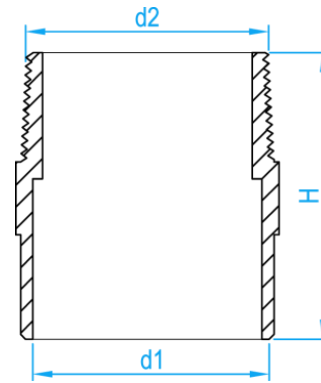
SKU	d2 (inch)	d1 (mm)	H (mm)	WEIGHT (kg)	PCS/CTN
MBLFIA015	½" BSP	15	27	0.042	400
MBLFIA020	¾" BSP	22	32.9	0.074	300
MBLFIA025	1" BSP	28	40.0	0.104	150
MBLFIA035	1¼" BSP	35	44.0	0.156	100
MBLFIA042	1½" BSP	42	50.0	0.200	90
MBLFIA050	2" BSP	54	58.5	0.405	40
MBLFIA065	2½" BSP	67	64.0	0.605	24

COPPER CAPILLARY FITTING

COMPLY WITH BS EN 1254-1
AS/NZS 4020
BS EN 1982



MBL x MI ADAPTOR



CROSS SECTIONAL VIEW

COMPONENT PARTS

PARTS	MATERIAL
Body	Bronze

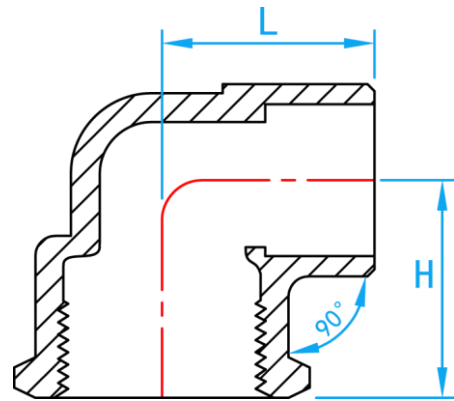
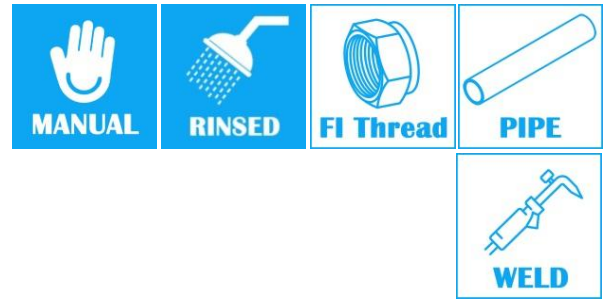
DIMENSIONS

SKU	d2 (inch)	d1 (mm)	H (mm)	WEIGHT (kg)	PCS/CTN
MBLMIA015	½"BSPT	15	31	0.030	500
MBLMIA020	¾"BSPT	22	34	0.070	300
MBLMIA025	1"BSPT	28	36	0.080	250
MBLMIA035	1¼"BSPT	35	43	0.135	120
MBLMIA042	1½"BSPT	42	50	0.230	100
MBLMIA050	2"BSPT	54	57	0.305	40
MBLMIA065	2½"BSPT	67	72	0.665	30
MBLMIA080	3"BSPT	76	76	0.855	18
MBLMIA100	4"BSPT	108	100	1.630	10

COPPER CAPILLARY FITTING

COMPLY WITH BS EN 1254-1
AS/NZS 4020
BS EN 1982

MBL x FI ELBOW



CROSS SECTIONAL VIEW

COMPONENT PARTS

PARTS	MATERIAL
Body	Bronze

DIMENSIONS

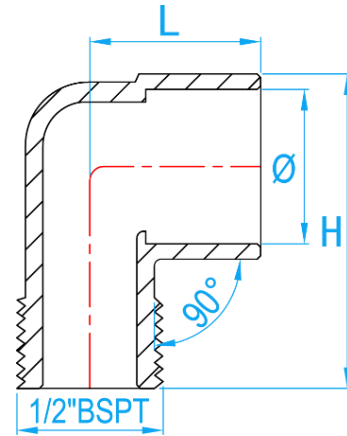
SKU	SIZE (inch x mm)	L (mm)	H (mm)	WEIGHT (kg)	PCS/CTN
MBLFIE015	½" BSP x15	22.5	20.5	0.050	400
MBLFIE020	¾" BSP x22	30.0	29.5	0.100	180
MBLFIE025	1" BSP x28	36.0	39.0	0.170	70

COPPER CAPILLARY FITTING

COMPLY WITH BS EN 1254-1
AS/NZS 4020
BS EN 1982



MBL x MI ELBOW



CROSS SECTIONAL VIEW

COMPONENT PARTS

PARTS	MATERIAL
Body	Bronze

DIMENSIONS

SKU	L (mm)	Ø (mm)	H (mm)	WEIGHT (kg)	PCS/CTN
MBLMIE015	19.00	15	36	0.045	400
MBLMIE02015	24.52	20	45	0.070	200
MBLMIE02515	30.50	25	52	0.129	150
MBLMIE03515	35.00	35	60	0.155	70

Built For Water

Main Office

133 Kitchener Road
Singapore 208517

Mon-Fri: 8:00am - 5:30pm
Sat: 8:00am - 1:00pm
Sun & PH: Closed

North Office

10 Admiralty Street, North
Link Building #02-45
Singapore 757695

Mon-Fri: 8:00am - 5:00pm
Sat: 8:00am - 1:00pm
Sun & PH: Closed