

NORIKA PEX F5 MULTILAYER PIPES AND FITTINGS



Scan for
installation video:



SINGAPORE GREEN BUILDING PRODUCT (SGBP) CERTIFICATE



AWARDED TO

Liang Chew Hardware Pte Ltd

133 Kitchener Road Singapore 208517

FOR THE PRODUCT

Norika

CATEGORY: **Pipe & Fittings - Potable Water**

MANUFACTURED IN: **China**

PRODUCT MODEL(S)

Refer to Appendix



This product has been evaluated according to the certification requirements of the Singapore Green Building Product Certification Scheme. It has been awarded the rating:

GOOD, 1 TICK

CEO
SGBC PTE LTD
200 BRADDELL RD, BLOCK H, #02-04
BCA BRADDELL CAMPUS, SINGAPORE 579700

CERTIFICATE NO.

SGBP 4219

ISSUE DATE

10 February 2026

REVISED ON

-

VALID THROUGH

09 February 2028

The use and reliance on this certificate is subject to the terms and conditions of the Singapore Green Building Product Certification Scheme. Revised certificates may also be issued at the discretion of SGBC Pte Ltd. The certification status may be verified on the SGBC Product Directory (web.sgbc.online/public/product).



GOOD



VERY GOOD



EXCELLENT



LEADER

SINGAPORE GREEN BUILDING PRODUCT (SGBP) CERTIFICATE



APPENDIX TO SGBP 4219 ,PAGE 1 OF 1

ISSUE DATE
10 February 2026

VALID THROUGH
09 February 2028

REVISED ON
-



PRODUCT MODEL(S)

[PIPES] - PIPPEX: [16mm, 20mm, 25mm, 32mm, 40mm, 50mm, 63mm and 75mm], [Fittings, Push-Fit] - (16mm, 20mm, 25mm and 32mm)(PEXF6EC || PEXF6E90 || PEXF6ES || PEXF6ET || PEXF6FIA || PEXF6MIA || PEXF6FIE || PEXF6MIE || PEXF6FIT || PEXF6MIT || PEXF6RT) // (20mm, 25mm and 32mm) (PEXF6RS || PEXF6RE90) // (16mm, 20mm, and 25mm) (PEXF6BV || PEXF6FE-Wallplate) // (16mm, 20mm)(PEXF6FE-Double Flange Elbow), [Fittings, Press-Fit] - (16mm, 20mm, 25mm, 32mm, 40mm, 50mm, 63mm and 75mm) (PEXF5E45 || PEXF5E90 || PEXF5ES || PEXF5RS || PEXF5FIA || PEXF5MIA || PEXF5ET || PEXF5RT || PEXF5FIT || PEXF5EC) // (16mm, 20mm, 25mm, 32mm, 40mm, 50mm & 63mm) (PEXF5RE90 || PEXF5FIE || PEXF5MIE) // (16mm, 20mm, 25mm, 32mm, 40mm and 50mm) (PEXF5MIT || PEXF5FJC) // (16mm, 20mm and 25mm) (PEXF5FE-Wallplate Elbow) // (16mm and 20mm) (PEXF5FE-Assembly Double Elbow)

The use and reliance on this certificate is subject to the terms and conditions of the Singapore Green Building Product Certification Scheme. Revised certificates may also be issued at the discretion of SGBC Pte Ltd. The certification status may be verified on the SGBC Product Directory (web.sgbc.online/public/product).



GOOD



VERY GOOD



EXCELLENT



LEADER

The **Norika® Multilayer PEX pipes**, is a three layer pipe in which it consist of materials PEX-B for its outside and inside layer while the middle layer is made of aluminum. The **Norika® Multilayer PEX pipes** have an operating pressure of 10bar and working temperature of 0°C to 70°C. External and internal layer is made of silane cross-linked polyethylene that is extensively used in distribution of potable water. The silane cross-linking provides superior chemical and mechanical properties. While the intermediate layer is an aluminum alloy with overlapped welding that guarantees a total barrier to the passage of oxygen and light and provides excellent mechanical and chemical properties. It is applicable for hot and cold potable water applications also used for under floor heating system. The **Norika® Multilayer PEX pipes** complies with **BS EN ISO 21003**, ensuring quality, safety, and performance in multilayer piping systems.

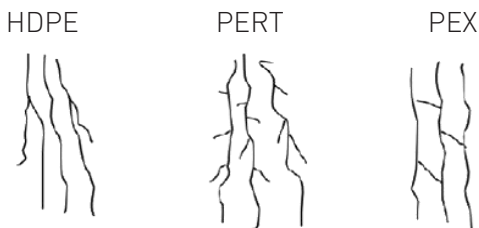
Main advantages of multilayer pipes:

- Increase in internal pressure resistance.
- Ductility. Thanks to its aluminum layer, once pipes have been curved it will keep that form.
- Tightness to oxygen diffusion.
- Dimensional stability.
- Long service life.
- Higher flow.

PAP: Polyethylene-Aluminum composite pipeline

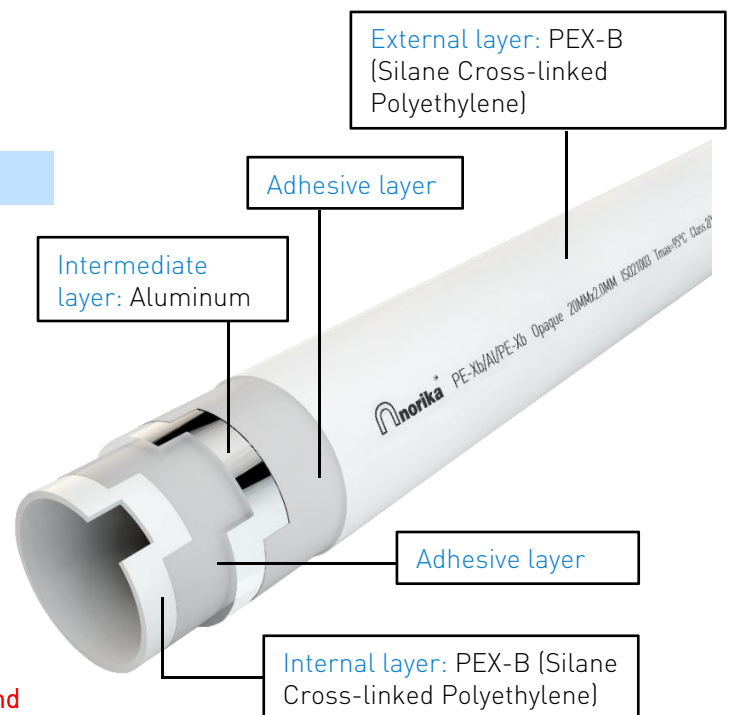
A pipe composed of a welded aluminum tube as the middle layer, with both the inner and outer layers made of polyethylene plastic, bonded together using a special hot-melt adhesive through an extrusion molding process.

Why Crosslinking?



Changing the structure to increase heat resistance and strength of the pipe.

- Insoluble & infusible – solvent resistance, high-temperature resistance
- Crosslinked construction – Impact / tensile strength, creep resistance, scratch resistance



Raw Material	Application			
	Underfloor heating	Plumbing	Cooling & heating systems	Others
HDPE-AL-HDPE (HDPE: High density polyethylene)		✓		Pressure piping system, anti-corrosion engineering, special industrial components
PERT-AL-PERT (PERT: Heat resistant reinforced polyethylene)	✓	✓	✓	High performance fluid transport system
PEX-AL-PEX (Norika®) (PEX: Cross-linked polyethylene)	✓	✓	✓	

Comparison Of The Three Cross-Linking Methods

Production Process	PEX-A (Peroxide Cross-linked polyethylene)		PEX-B (Silane Cross-linked polyethylene)		PEX-C (Radiation Cross-linked polyethylene)		
	Engel (Peroxide plunger method)	Daoplas (Infrared cross-linking method)	Monsil (One-step method)	Sioplas (Two-step method)	γ-co	β-accelerator	UV
Basic formulation of Materials	HDPE + Peroxide + Antioxidants		HDPE + Peroxide + Antioxidants + Silane + Catalyst		HDPE + Antioxidants + Photosensitizer		
Agglomerate Structure	Planar Crosslinking		Volume Crosslinking		Volume Crosslinking		
Reaction by-Products	Initiator by-products (can be removed by post-treatment)		Initiator by-products + silane oligomers + silane hydrolysis by-products [Ⓢ] (Silane is difficult to remove)		Photosensitizer byproduct (Generally does not require post-processing)		
Rigidity	Poor		Good		Average		
Flexibility	Good		Poor		Average		
Hygiene Performance	Average		Poor		Good		
Aging Resistance	Poor		Average		Poor		
Memorability	Excellent memory effect, especially for use with cold expansion connections		Minimal shape memory, not suitable for cold expansion fittings		Minimal shape memory, not suitable for cold expansion fittings		
Cracking & Repair	Heat the kinked area with a heat gun until the material becomes translucent, then allow to cool.		The pipe is bent into a kink will produce white cracks, for the dead bend of the pipe, can not be repaired		PEX-C can use a heat gun to heat to transparent for small kink recovery, the effect is not as perfect as PEX-A		
Cross-linking Degree	≥70%		≥65%		≥60%		

Comparison Of Hydrostatic Stress

Test Conditions	Hydrostatic stress (MPa)	
	PE-RT	PE-X
20°C, 1h	9.9	12
95°C, 22h	3.8	4.7
95°C, 165h	3.6	4.6
95°C, 1000h	3.4	4.4

PEX-A, PEX-B, PERT+EVOH & Multilayer Technical Parameter Comparison Table

	PEX-A (Other Brand)	PEX (PEX-B)	EVOH+PERT pure plastic pipe (Other Brand)	NORIKA Multilayer (PEX multilayer pipe)	Note
Production Process	Engel (Peroxide plunger method)	Monsil (One-step method)	multilayer co- extrusion	Multilayer co-extrusion + metal welding + tube boiling crosslink	
Basic formulation of materials	HDPE + Peroxide + Antioxidants	HDPE + Peroxide + Antioxidants + Silane + Catalyst	PERT+EVOH	PEX-B Raw Material+Aluminium	
Agglomerate structure	Planar Crosslinking	volume Crosslinking	PERT+EVOH	PEXB-AL-PEXB	NORIKA multilayer pipe, based on the bulk crosslinking of PEXb, has a metal layer for reinforcement, achieving the most stable state.
Rigidity	LOW	AVERAGE	LOW	HIGH	
Flexibility	HIGH	HIGH	HIGH	AVERAGE Can be bent by hand	
Hygiene performance	AVERAGE	AVERAGE	GOOD	EXCELLENT	Due to the metal layer, NORIKA multilayer pipe can 100% barriers off light and oxygen
Aging resistance	LOW	AVERAGE	AVERAGE	HIGH	
Memorability	HIGH	LOW	LOW	LOW	
Cracking & Repair	AVERAGE Dead bend can be repaired	AVERAGE Slight bend can be repaired	LOW Crack cannot be repaired	EXCELLENT Crack cannot be repaired	The structure with multi-layer distribution of metal and non-metal significantly enhances crack resistance.
Cross-linking degree	≥70%	≥65%	No Crosslink	Same With NORIKA PEX-b	
Average coefficient of expansion(mm/mK)	HIGH (0.15)	HIGH (0.2)	NA	LOW (0.025) Hard to be deformed	The lower the value, the smaller the deformation impact caused by hot-cold alternation, and the less damage to the building.
roughness (mm)	AVERAGE (0.007)	LOW (0.0001)	NA	LOW (0.0007)	A low roughness can reduce water flow resistance and prevent sediment accumulation, further improving hygiene.
Max working temperature (Tmax, °C)	90	90	NA	95	The maximum temperature at which the pipe can work normally for a long term.
Short time extream high temperature (Tmal, °C)	100	100	NA	110	Extremely high temperature. Under this temperature, the pipe usually works for no more than 100 hours.
Working pressure (70°C, MPa)	1	1	NA	1	
Density (g/cm³)	NA	0.946	0.941	0.946 (Plastic Layer)	
Vicat Softening temperature (°C)	NA	133	125	133 (Plastic Layer)	It is generally understood as the critical temperature at which the pipe softens and deforms due to heat.
Yeild Streee (kg/cm²)	NA	210	210	210 (Plastic Layer)	
Elongation at Break (%)	NA	468	750	468 (Plastic Layer)	

Norika® PEX Multilayer Extrapolated Strength Values

Prediction 20°C				Prediction 70°C			
Time [h]	Time [y]	σ LPL [MPa]	σ LTHS [MPa]	Time [h]	Time [y]	σ LPL [MPa]	σ LTHS [MPa]
1	0.00	22.99	23.15	1	0.00	15.61	15.78
10	0.00	21.44	21.59	10	0.00	14.03	14.18
22	0.00	20.94	21.08	22	0.00	13.53	13.67
100	0.01	20.00	20.14	100	0.01	12.61	12.74
165	0.02	19.70	19.83	165	0.02	12.32	12.44
1000	0.11	18.65	18.78	1000	0.11	11.32	11.44
4000	0.46	17.89	18.01	4000	0.46	10.62	10.80
8760	1.00	17.47	17.59	8760	1.00	10.24	10.34
438000	50.00	15.51	15.62	438000	50.00	8.53	8.62

Prediction 95°C				Prediction 110°C			
Time [h]	Time [y]	σ LPL [MPa]	σ LTHS [MPa]	Time [h]	Time [y]	σ LPL [MPa]	σ LTHS [MPa]
1	0.00	11.56	11.71	1	0.00	9.08	9.23
10	0.00	10.09	10.22	10	0.00	7.74	7.87
22	0.00	9.63	9.76	22	0.00	7.33	7.45
100	0.01	8.80	8.92	100	0.01	6.60	6.71
165	0.02	8.55	8.66	165	0.02	6.38	6.48
1000	0.11	7.68	7.78	1000	0.11	5.63	5.72
4000	0.46	7.08	7.17	4000	0.46	5.11	5.19
8760	1.00	6.75	6.84	8760	1.00	4.84	4.92

Temperature	Extrapolation time [h]	Extrapolation time [y]	Test temperature used	Extrapolation time factor, ke
20°C	876000	100.00	95°C	100.00
70°C	490707	56.02	110°C	50.00
95°C	39257	4.48	110°C	4.00
110°C	9814	1.12	110°C	1.00

Pressure loss

Calculation formula: Colebrook - White Equation

$$r = f \times \frac{L}{D} \times P \times \frac{V^2}{2}$$

$$\frac{1}{\sqrt{f}} = -2 \log \left(\frac{e}{3.7D} + \frac{2.51}{Re\sqrt{f}} \right)$$

$$Re = \frac{\rho \times V \times D}{\mu}$$

Description:

- r = head loss (Pa)
- f = friction factor
- ρ = density of the fluid (kg/m³)
- V = the velocity of the fluid (m/s)
- D = the pipe inner diameter (m)
- L = pipe length (m)
- e = relative roughness
- Re = Reynolds number
- μ = dynamic viscosity (Pa·s)



TEST CERTIFICATE

POTABLE WATER FITTINGS SCHEME

Certificate Number : TC-J0243
Issue No: 04

This Certificate is awarded to the following product(s) which has / have complied with the requirements of the listed standard(s) in accordance with Stipulation of Standards and Requirements for Water Fittings for Use in Potable Water Service Installations.

Client : **Liang Chew Hardware Pte Ltd**
 133 Kitchener Road
 Singapore 208517

Product : Multilayer Pipes & Fittings (Pressfit)

Brand / Model : Norika / PIPPEX & PEXF5

Detail : Sizes (mm): 16, 20, 25, 32, 40, 50, 63 & 75

Test Standard(s) : BS EN ISO 21003-1: 2008, BS EN ISO 21003-2: 2008 + A1: 2011, BS EN ISO 21003-3: 2008, BS EN ISO 21003-5: 2008, AS/NZS 4020: 2005, AS/NZS 4020: 2018, SS 375: 2015, BS EN 12165: 2016

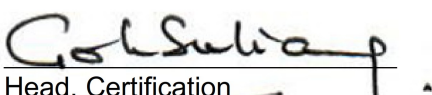
Test Report(s) : 2524186-OYC, 1820215/02A-OYC, 1820215/03A-OYC, 1820215/01-OYC, 2020852-CPC, 1820215/04-CPC, 2020843/01-CPC, 2020889-CPC, 21802731-CLC

A sample of the product submitted was tested and found to comply with the test requirements of the above standard(s).

Date of Original Issue : 10 March 2021

Date of Last Revision : 04 March 2025

Date of Expiry : 09 March 2027


 Head, Certification
Singapore Test Lab Pte Ltd

This Certificate is part of a full report and should be read in conjunction with it. This Certificate remains the property of Singapore Test Lab Pte Ltd and shall be returned upon request. The use of this Certificate is subjected to the Terms and Conditions of Singapore Test Lab Pte Ltd. The manufacturer is solely responsible for the compliance of any product that has the same designation as the product type tested.



Singapore Test Lab Pte Ltd certifies according to ISO / IEC 17065



PEX-B/AL/PEX-B THREE LAYER PIPE



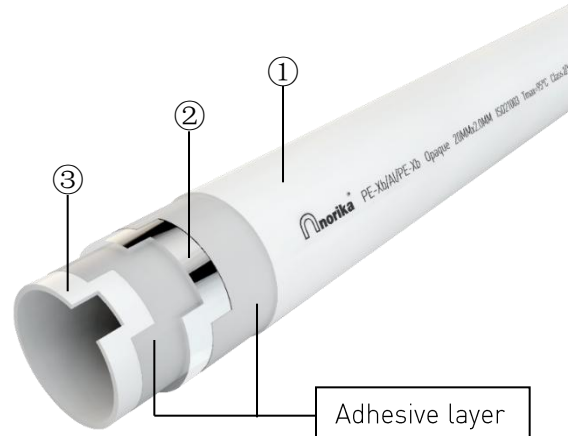
COMPLY WITH BS EN ISO 21003-1:2008
 BSEN ISO 21003-2:2008+A1:2011
 AS/NZS 4020:2005
 SS 375:2015



STRAIGHT TUBE
 SKU: PIPPEXL016~075



COILING TUBE
 SKU: PIPPEX016-032



****Exclusively indoor installation only.**

STANDARD SPECIFICATION	
Working Pressure	10 Bar
Working Temperature	0 ~ 70°C
Applications	Hot and cold potable water system.

COMPONENT PARTS		
ITEM	PARTS	MATERIAL
1	Outside layer	PEX-B (Silane Cross-linked Polyethylene)
2	Middle layer	Aluminum
3	Inside layer	PEX-B (Silane Cross-linked Polyethylene)

DIMENSIONS

SKU	Outside Diameter (mm)	Inside Diameter (mm)	Thickness (mm)	Tolerance Of Pipe Thickness (mm)	Length (mm)	WEIGHT (kg/m)
PIPPEXL016	16	12	2.0	2.00~2.25	5800	0.121
PIPPEXL020	20	16	2.0	2.00~2.30	5800	0.166
PIPPEXL025	25	20	2.5	2.40~2.70	5800	0.235
PIPPEXL032	32	26	3.0	2.90~3.25	5800	1.040
PIPPEXL040	40	32	4.0	4.00~4.60	5800	0.567
PIPPEXL050	50	41	4.5	4.50~5.20	5800	0.820
PIPPEXL063	63	51	6.0	6.00~6.80	5800	1.334
PIPPEXL075	75	60	7.5	7.50~8.50	5800	1.893

DIMENSIONS

SKU	Outside Diameter (mm)	Inside Diameter (mm)	Thickness (mm)	Tolerance Of Pipe Thickness (mm)	WEIGHT (kg/m)	M/CTN
PIPPEX016	16	12	2.0	2.00~2.25	0.121	200M
PIPPEX020	20	16	2.0	2.00~2.30	0.166	200M
PIPPEX025	25	20	2.5	2.40~2.70	0.235	100M
PIPPEX032	32	26	3.0	2.90~3.25	1.040	50M

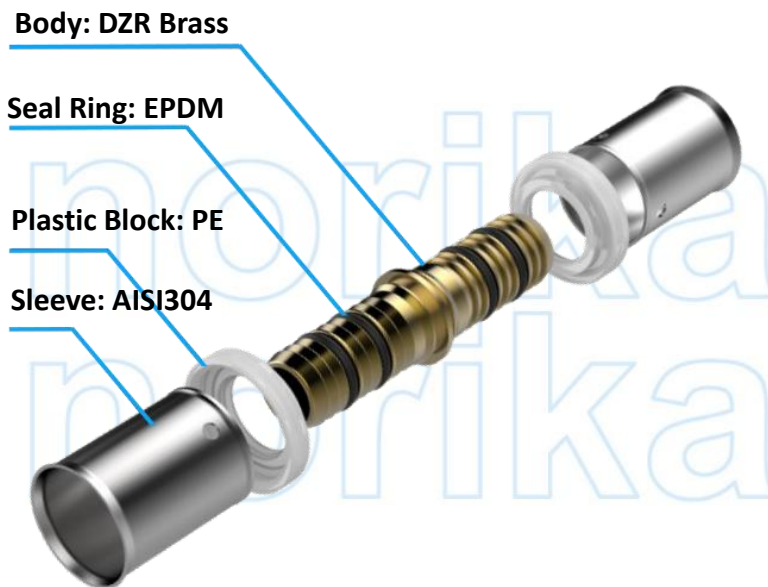
PEX MULTI LAYER PIPES AND FITTINGS



COMPLY WITH BS EN ISO 21003-1:2008
 BS EN ISO 21003-3:2008
 BS EN ISO 21003-5:2008
 BS EN 12165:2016
 AS/NZS 4020:2005 / 2018
 SS 375:2015



F5 PRESS-FIT



COMPONENTS:

Body

The main body of F5 PRESS-FIT is made out of Brass CW602N material, which greatly improves the corrosion resistance, eliminates processing stress, and ensures no cracking and dimensional stability.

Plastic Block

Safe and environmentally friendly PE material, with strong strength, effectively preventing the entry of impurities and protecting the fitting.

Seal Ring

High-quality EPDM material with excellent weather resistance and corrosion resistance. Double seal to ensure no leakage.

Sleeve

AISI304 material with weather resistance and corrosion resistance.

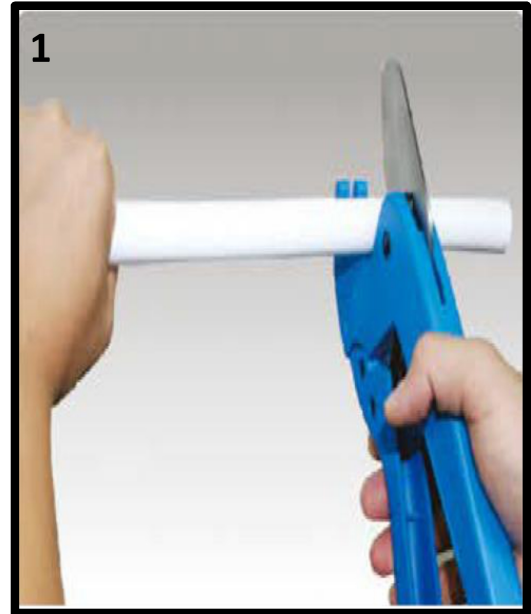
STANDARD SPECIFICATION

Working Pressure	10 Bar
Working Temperature	0 ~ 70°C
Applications	Hot and cold potable water system, Underfloor heating system

INSTALLATION GUIDE:

1. Pipe cutting

Cut the pipe vertically and precisely with a sharp pipe cutter.



2. Rounding and beveling

- **Multilayer pipe:**

Round and bevel the end holes with reamer.

- **Pex pipe:**

Round the end holes with reamer, no need to bevel. If you want to insert quickly and easily, you can bevel the pipe.



INSTALLATION GUIDE:

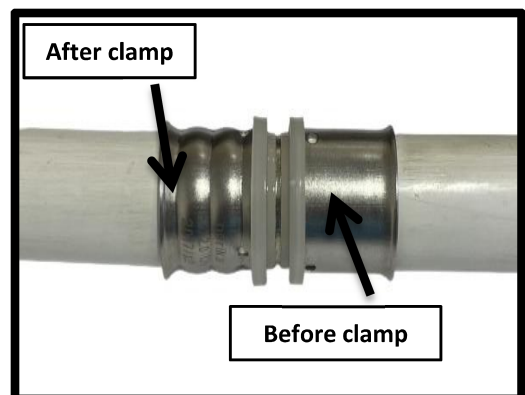
3. Inserting

Choose the right size sleeved-fitting for the pipe, then aim the pipe end at the ring-shape hole of the fitting integrated with sleeve and slide the fitting insert into the pipe until it reaches the plastic block. Check the inserting depth by looking through the inspection holes on the sleeve shoulder to ensure that the pipe is completely inserted.



4. Pressing

- ① Select jaw .
- ② Install jaw on to the Tool.
- ③ Adjust the Pressing Tool.
- ④ Open the Pressing Tool and position the tool right onto the sleeve.
- ⑤ Close the handles until the two touch points on the handles touch each other.
- ⑥ Please don't release the handles before the jaw is fully closed.



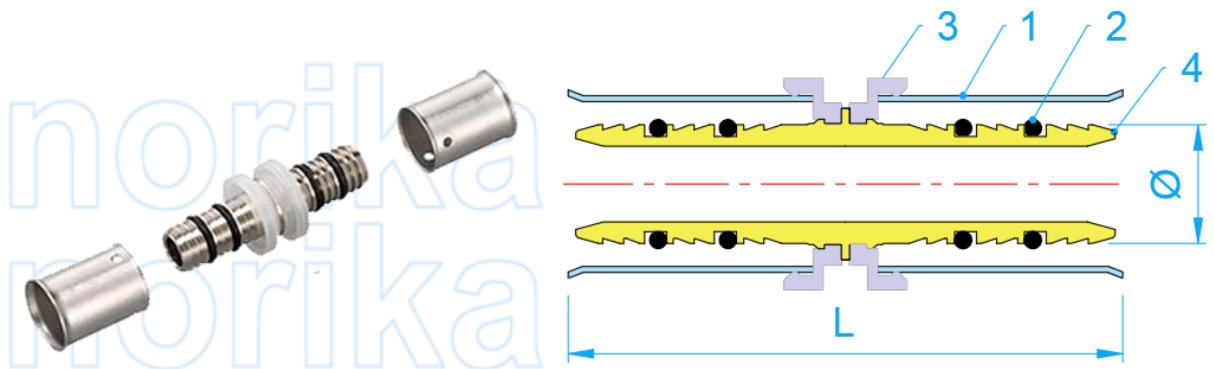
PEX PRESS-FIT FITTINGS (U PROFILE)



COMPLY WITH BS EN ISO 21003-1:2008
 BS EN ISO 21003-3:2008
 BS EN ISO 21003-5:2008
 BS EN 12165:2016
 AS/NZS 4020:2005
 SS 375:2015



F5 EQUAL SOCKET



SIDE VIEW

COMPONENT PARTS

ITEM	PARTS	MATERIAL
1	Sleeve	AISI304
2	O Ring	EPDM
3	Plastic Gasket	PE
4	Body	DZR Brass (Nickel Plated)

DIMENSIONS

SKU	SIZE (mm)	Ø (mm)	L (mm)	WEIGHT (kg)	PCS/CTN
PEXF5ES016	16	11.8	53.0	0.036	320
PEXF5ES020	20	15.8	53.0	0.043	224
PEXF5ES025	25	19.8	66.2	0.109	120
PEXF5ES032	32	25.8	66.2	0.144	90
PEXF5ES040	40	31.8	92.0	0.323	45
PEXF5ES050	50	40.8	92.0	0.463	35
PEXF5ES063	63	50.7	138.0	0.900	15
PEXF5ES075	75	59.6	138.5	1.250	10

*This item requires special ordering. Please consult with a salesperson for the estimated lead time.

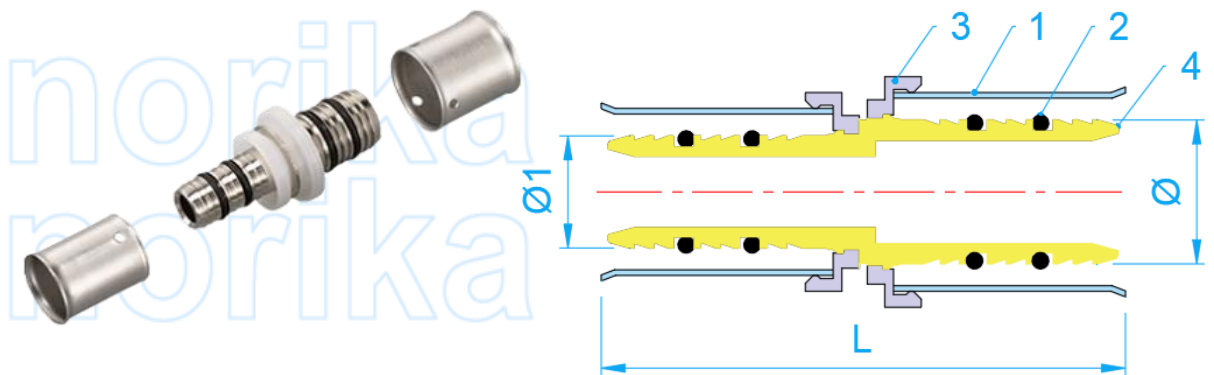
PEX PRESS-FIT FITTINGS (U PROFILE)



COMPLY WITH BS EN ISO 21003-1:2008
 BS EN ISO 21003-3:2008
 BS EN ISO 21003-5:2008
 BS EN 12165:2016
 AS/NZS 4020:2005
 SS 375:2015



F5 REDUCING SOCKET



COMPONENT PARTS

ITEM	PARTS	MATERIAL
1	Sleeve	AISI304
2	O Ring	EPDM
3	Plastic Gasket	PE
4	Body	DZR Brass (Nickel Plated)

SIDE VIEW

DIMENSIONS

SKU	SIZE (mm)	Ø (mm)	Ø1 (mm)	L (mm)	WEIGHT (kg)	PCS/CTN
PEXF5RS02016	20x16	15.8	11.8	53.0	0.044	296
PEXF5RS02516	25x16	19.8	11.8	59.6	0.069	160
PEXF5RS02520	25x20	19.8	15.8	59.6	0.075	144
PEXF5RS03216	32x16	25.8	11.8	59.6	0.089	80
PEXF5RS03220	32x20	25.8	15.8	59.6	0.100	96
PEXF5RS03225	32x25	25.8	19.8	66.2	0.125	96
PEXF5RS04020	40x20	31.8	15.8	73.0	0.191	80
PEXF5RS04025	40x25	31.8	19.8	79.6	0.212	60
PEXF5RS04032	40x32	31.8	25.8	79.6	0.217	60
PEXF5RS05020	50x20	40.8	15.8	76.7	0.264	45
PEXF5RS05025	50x25	40.8	19.8	79.6	0.278	45
PEXF5RS05032	50x32	40.8	25.8	79.6	0.295	40
PEXF5RS05040	50x40	40.8	31.8	92.0	0.357	30

*This item requires special ordering. Please consult with a salesperson for the estimated lead time.

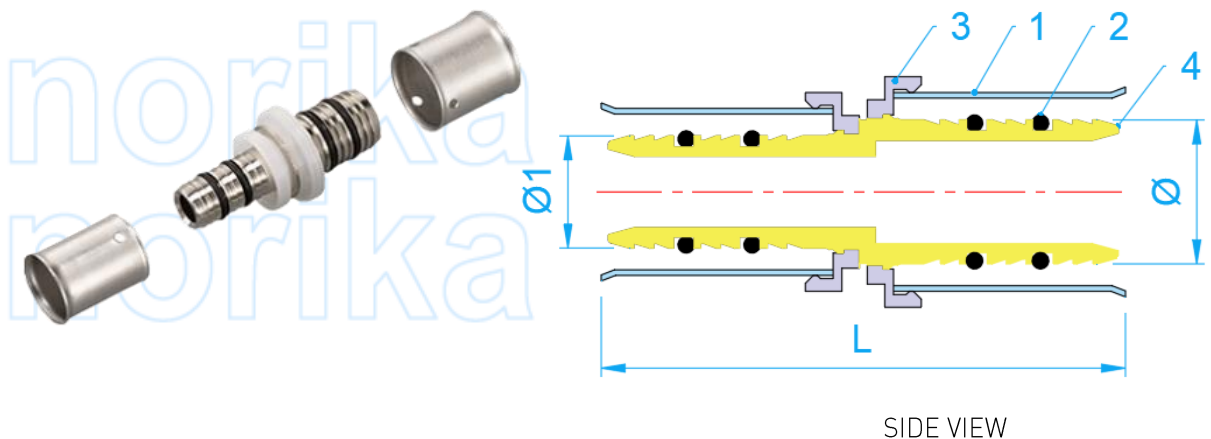
PEX PRESS-FIT FITTINGS (U PROFILE)



COMPLY WITH BS EN ISO 21003-1:2008
 BS EN ISO 21003-3:2008
 BS EN ISO 21003-5:2008
 BS EN 12165:2016
 AS/NZS 4020:2005
 SS 375:2015



F5 REDUCING SOCKET



COMPONENT PARTS		
ITEM	PARTS	MATERIAL
1	Sleeve	AISI304
2	O Ring	EPDM
3	Plastic Gasket	PE
4	Body	DZR Brass (Nickel Plated)

DIMENSIONS						
SKU	SIZE (mm)	Ø (mm)	Ø1 (mm)	L (mm)	WEIGHT (kg)	PCS/CTN
PEXF5RS06316*	63x16	50.7	15.8	96.0	0.550	18
PEXF5RS06320*	63x20	50.7	15.8	96.0	0.560	18
PEXF5RS06325*	63x25	50.7	19.8	102.6	0.600	18
PEXF5RS06332	63x32	50.7	25.8	102.6	0.520	16
PEXF5RS06340	63x40	50.7	31.8	115.0	0.589	18
PEXF5RS06350	63x50	50.7	40.8	115.0	0.611	18
PEXF5RS07532*	75x32	59.6	25.8	107.2	0.757	16
PEXF5RS07540	75x40	59.6	31.8	115.5	0.800	16
PEXF5RS07550*	75x50	59.6	40.8	115.5	0.870	14
PEXF5RS07563	75x63	59.6	50.7	138.5	1.000	12

*This item requires special ordering. Please consult with a salesperson for the estimated lead time.

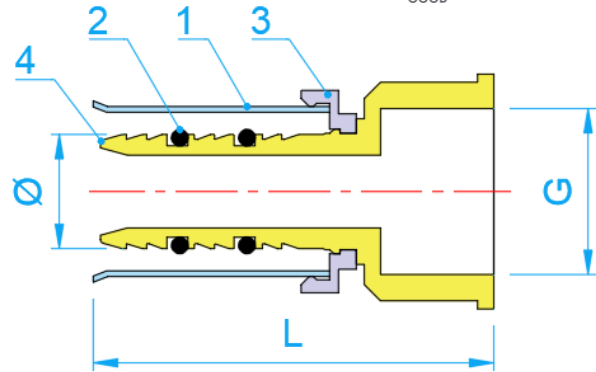
PEX PRESS-FIT FITTINGS (U PROFILE)



COMPLY WITH BS EN ISO 21003-1:2008
 BS EN ISO 21003-3:2008
 BS EN ISO 21003-5:2008
 BS EN 12165:2016
 AS/NZS 4020:2005
 SS 375:2015



F5 FI ADAPTOR



SIDE VIEW

COMPONENT PARTS

ITEM	PARTS	MATERIAL
1	Sleeve	AISI304
2	O Ring	EPDM
3	Plastic Gasket	PE
4	Body	DZR Brass (Nickel Plated)

DIMENSIONS

SKU	SIZE (mm x inch)	Ø (mm)	L (mm)	G BSP (inch)	WEIGHT (kg)	PCS/CTN
PEXF5FIA01616	16×1/2"	11.8	42.5	1/2"	0.051	320
PEXF5FIA01620*	16×3/4"	11.8	44.0	3/4"	0.069	240
PEXF5FIA02016*	20×1/2"	15.8	42.5	1/2"	0.054	280
PEXF5FIA02020	20×3/4"	15.8	44.0	3/4"	0.075	192
PEXF5FIA02025*	20×1"	15.8	45.5	1"	-	-
PEXF5FIA02516*	25×1/2"	19.8	49.0	1/2"	0.078	160
PEXF5FIA02520*	25×3/4"	19.8	50.5	3/4"	0.086	160
PEXF5FIA02525	25×1"	19.8	52.0	1"	0.135	96
PEXF5FIA03220*	32×3/4"	25.8	50.5	3/4"	0.111	128
PEXF5FIA03225*	32×1"	25.8	52.0	1"	0.141	96
PEXF5FIA03232	32×1 1/4"	25.8	54.5	1 1/4"	0.177	64
PEXF5FIA04025*	40×1"	31.8	66.0	1"	0.250	80
PEXF5FIA04032	40×1 1/4"	31.8	67.0	1 1/4"	0.290	72
PEXF5FIA04040	40×1 1/2"	31.8	68.5	1 1/2"	0.330	60

*This item requires special ordering. Please consult with a salesperson for the estimated lead time.

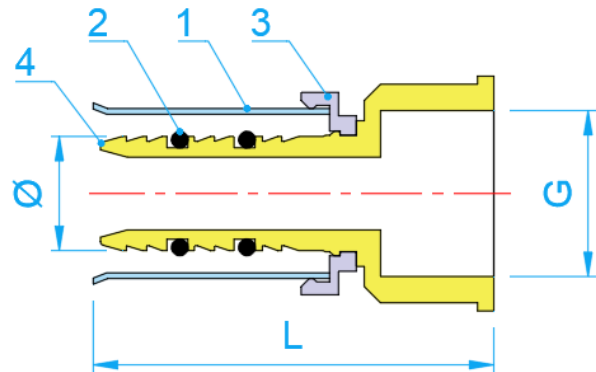
PEX PRESS-FIT FITTINGS (U PROFILE)



COMPLY WITH BS EN ISO 21003-1:2008
 BS EN ISO 21003-3:2008
 BS EN ISO 21003-5:2008
 BS EN 12165:2016
 AS/NZS 4020:2005
 SS 375:2015



F5 FI ADAPTOR



SIDE VIEW

COMPONENT PARTS

ITEM	PARTS	MATERIAL
1	Sleeve	AISI304
2	O Ring	EPDM
3	Plastic Gasket	PE
4	Body	DZR Brass (Nickel Plated)

DIMENSIONS

SKU	SIZE (mm x inch)	Ø (mm)	L (mm)	G BSP (inch)	WEIGHT (kg)	PCS/CTN
PEXF5FIA05025*	50 × 1"	40.8	66.0	1"	0.350	48
PEXF5FIA05032*	50 × 1 1/4"	40.8	68.5	1 1/4"	-	-
PEXF5FIA05040*	50 × 1 1/2"	40.8	69.0	1 1/2"	0.375	40
PEXF5FIA05050	50 × 2"	40.8	75.0	2"	0.545	32
PEXF5FIA06325	63 × 1"	50.7	88.0	1"	0.595	20
PEXF5FIA06340*	63 × 1 1/2"	50.7	92.0	1 1/2"	-	-
PEXF5FIA06350	63 × 2"	50.7	98.0	2"	0.720	20
PEXF5FIA06363	63 × 2 1/2"	50.7	98.0	2 1/2"	0.929	16
PEXF5FIA07540*	75 × 1 1/2"	59.6	94.0	1 1/2"	-	-
PEXF5FIA07563*	75 × 2 1/2"	59.6	107.0	2 1/2"	1.089	12

*This item requires special ordering. Please consult with a salesperson for the estimated lead time.

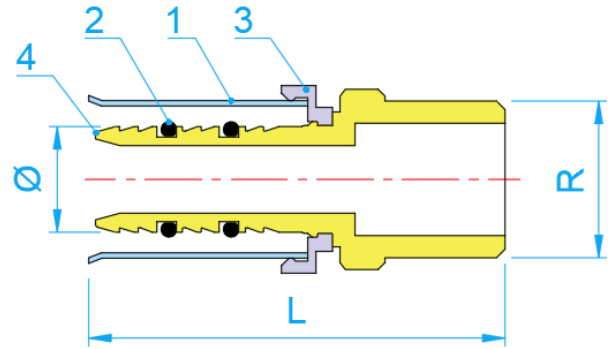
PEX PRESS-FIT FITTINGS (U PROFILE)



COMPLY WITH BS EN ISO 21003-1:2008
 BS EN ISO 21003-3:2008
 BS EN ISO 21003-5:2008
 BS EN 12165:2016
 AS/NZS 4020:2005
 SS 375:2015



F5 MI ADAPTOR



SIDE VIEW

COMPONENT PARTS

ITEM	PARTS	MATERIAL
1	Sleeve	AISI304
2	O Ring	EPDM
3	Plastic Gasket	PE
4	Body	DZR Brass (Nickel Plated)

DIMENSIONS

SKU	SIZE (mm x inch)	Ø (mm)	L (mm)	R BSPT (inch)	WEIGHT (kg)	PCS/CTN
PEXF5MIA01616	16×1/2"	11.8	46.0	1/2"	0.046	400
PEXF5MIA01620*	16×3/4"	11.8	47.0	3/4"	0.065	320
PEXF5MIA01625*	16×1"	11.8	48.0	1"	-	-
PEXF5MIA02016	20×1/2"	15.8	46.0	1/2"	0.056	240
PEXF5MIA02020	20×3/4"	15.8	47.0	3/4"	0.067	224
PEXF5MIA02516*	25×1/2"	19.8	52.6	1/2"	0.095	144
PEXF5MIA02520*	25×3/4"	19.8	54.0	3/4"	0.104	144
PEXF5MIA02525	25×1"	19.8	55.0	1"	-0.119	128
PEXF5MIA03220*	32×3/4"	25.8	54.0	3/4"	0.141	96
PEXF5MIA03225*	32×1"	25.8	55.0	1"	0.142	96
PEXF5MIA03232	32×1 1/4"	25.8	58.5	1 1/4"	0.181	90
PEXF5MIA04025	40×1"	30.8	76.0	1"	0.287	72
PEXF5MIA04032	40×1 1/4"	30.8	79.0	1 1/4"	0.310	60
PEXF5MIA04040	40×1 1/2"	30.8	79.5	1 1/2"	0.383	60

*This item requires special ordering. Please consult with a salesperson for the estimated lead time.

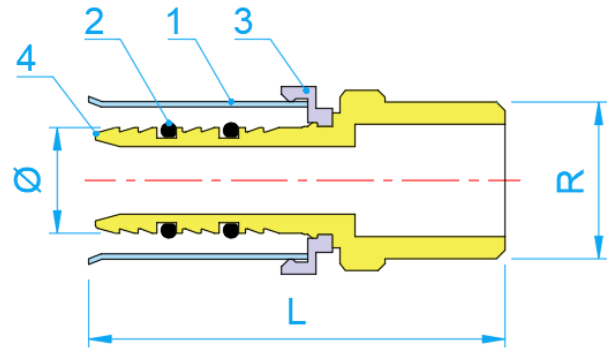
PEX PRESS-FIT FITTINGS (U PROFILE)



COMPLY WITH BS EN ISO 21003-1:2008
 BS EN ISO 21003-3:2008
 BS EN ISO 21003-5:2008
 BS EN 12165:2016
 AS/NZS 4020:2005
 SS 375:2015



F5 MI ADAPTOR



SIDE VIEW

COMPONENT PARTS

ITEM	PARTS	MATERIAL
1	Sleeve	AISI304
2	O Ring	EPDM
3	Plastic Gasket	PE
4	Body	DZR Brass (Nickel Plated)

DIMENSIONS

SKU	SIZE (mm x inch)	Ø (mm)	L (mm)	R BSPT (inch)	WEIGHT (kg)	PCS/CTN
PEXF5MIA05025*	50 × 1"	40.8	71.0	1"	-	-
PEXF5MIA05040	50 × 1 1/2"	40.8	79.0	1 1/2"	0.402	48
PEXF5MIA05050	50 × 2"	40.8	84.0	2"	0.475	40
PEXF5MIA06332*	63 × 1 1/4"	50.7	101.5	1 1/4"	-	-
PEXF5MIA06342*	63 × 1 1/2"	50.7	103.0	1 1/2"	-	-
PEXF5MIA06350	63 × 2"	50.7	107.0	2"	0.820	20
PEXF5MIA06363	63 × 2 1/2"	50.7	107.0	2 1/2"	1.038	20
PEXF5MIA07550*	75 × 2"	59.6	111.0	2"	-	-
PEXF5MIA07563	75 × 2 1/2"	59.6	111.0	2 1/2"	1.180	14
PEXF5MIA07575*	75 × 3"	59.6	111.0	3"	1.186	12

*This item requires special ordering. Please consult with a salesperson for the estimated lead time.

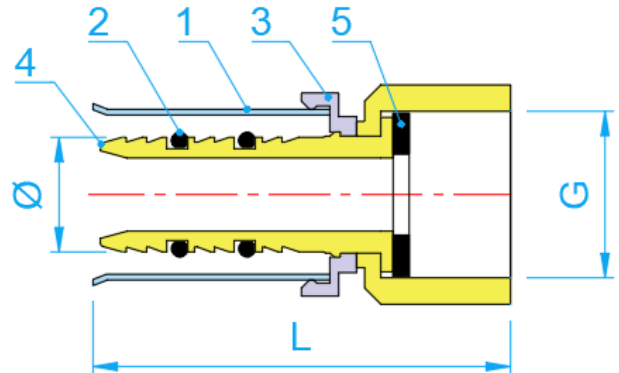
PEX PRESS-FIT FITTINGS (U PROFILE)



COMPLY WITH BS EN ISO 21003-1:2008
 BS EN ISO 21003-3:2008
 BS EN ISO 21003-5:2008
 BS EN 12165:2016
 AS/NZS 4020:2005
 SS 375:2015



F5 DEMOUNTABLE FEMALE STRAIGHT UNION



SIDE VIEW

COMPONENT PARTS

ITEM	PARTS	MATERIAL
1	Sleeve	AISI304
2	O Ring	EPDM
3	Plastic Gasket	PE
4	Body	DZR Brass (Nickel Plated)
5	Washer	EPDM

DIMENSIONS

SKU	SIZE (mm x inch)	Ø (mm)	G BSP (inch)	L (mm)	WEIGHT (kg)	PCS/CTN
PEXF5FJC016*	16 × 1/2"	11.8	1/2"	51.0	0.060	384
PEXF5FJC01620*	16 × 3/4"	15.8	1/2"	52.0	0.077	200
PEXF5FJC02016*	16 × 1/2"	15.8	1/2"	52.0	0.067	240
PEXF5FJC020*	20 × 3/4"	15.8	3/4"	52.5	0.089	192
PEXF5FJC02520*	25 × 3/4"	19.8	3/4"	58.5	0.111	144
PEXF5FJC025*	25 × 1"	19.8	1"	61.0	0.156	96
PEXF5FJC03225*	32 × 1"	25.8	1"	61.0	0.172	96
PEXF5FJC032*	32 × 1 1/4"	25.8	1 1/4"	62.5	-	-
PEXF5FJC04032*	40 × 1 1/4"	31.8	1 1/4"	78.0	-	-
PEXF5FJC05040*	50 × 1 1/2"	40.8	1 1/2"	83.5	-	-

*This item requires special ordering. Please consult with a salesperson for the estimated lead time.

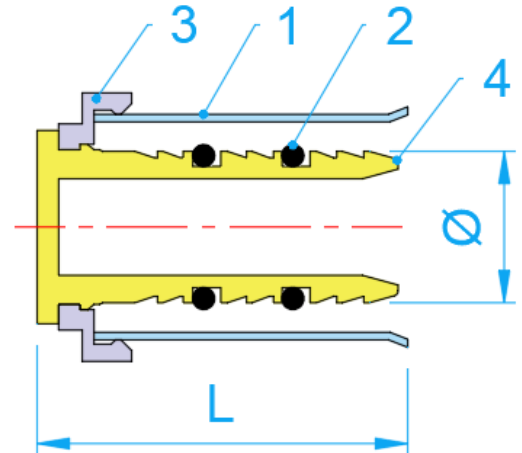
PEX PRESS-FIT FITTINGS (U PROFILE)



COMPLY WITH BS EN ISO 21003-1:2008
 BS EN ISO 21003-3:2008
 BS EN ISO 21003-5:2008
 BS EN 12165:2016
 AS/NZS 4020:2005
 SS 375:2015



F5 END CAP



SIDE VIEW

COMPONENT PARTS

ITEM	PARTS	MATERIAL
1	Sleeve	AISI304
2	O Ring	EPDM
3	Plastic Gasket	PE
4	Body	DZR Brass (Nickel Plated)

DIMENSIONS

SKU	SIZE (mm)	Ø (mm)	L (mm)	WEIGHT (kg)	PCS/CTN
PEXF5EC016	16	11.8	28.0	0.020	640
PEXF5EC020	20	15.8	28.0	0.029	448
PEXF5EC025	25	19.8	34.6	0.063	192
PEXF5EC032	32	25.8	34.6	0.094	128
PEXF5EC040	40	31.8	48.0	0.130	80
PEXF5EC050	50	40.8	48.0	0.184	72
PEXF5EC063	63	50.7	71	0.363	40
PEXF5EC075	75	59.6	71	0.665	20

*This item requires special ordering. Please consult with a salesperson for the estimated lead time.

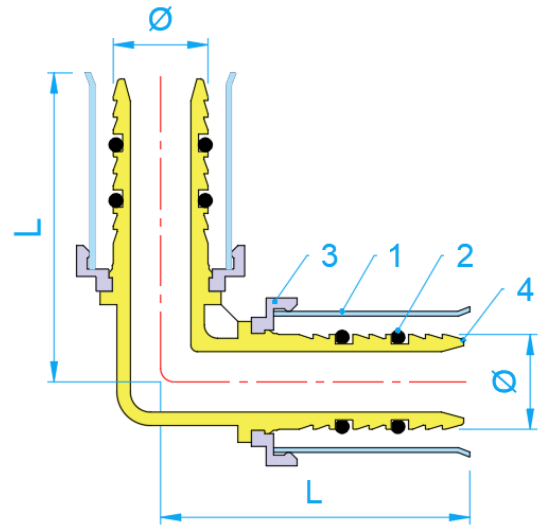
PEX PRESS-FIT FITTINGS (U PROFILE)



COMPLY WITH BS EN ISO 21003-1:2008
 BS EN ISO 21003-3:2008
 BS EN ISO 21003-5:2008
 BS EN 12165:2016
 AS/NZS 4020:2005
 SS 375:2015



F5 90° ELBOW



SIDE VIEW

COMPONENT PARTS

ITEM	PARTS	MATERIAL
1	Sleeve	AISI304
2	O Ring	EPDM
3	Plastic Gasket	PE
4	Body	DZR Brass (Nickel Plated)

DIMENSIONS

SKU	SIZE (mm)	Ø (mm)	L (mm)	WEIGHT (kg)	PCS/CTN
PEXF5E90016*	16	11.8	37.0	0.051	256
PEXF5E90020*	20	15.8	40.5	0.071	176
PEXF5E90025*	25	19.8	49.0	0.136	88
PEXF5E90032	32	25.8	52.0	0.194	48
PEXF5E90040	40	31.8	68.0	0.392	36
PEXF5E90050	50	40.8	73.0	0.571	24
PEXF5E90063	63	50.7	103.0	1.060	10
PEXF5E90075*	75	59.6	108.5	1.567	6

*This item requires special ordering. Please consult with a salesperson for the estimated lead time.

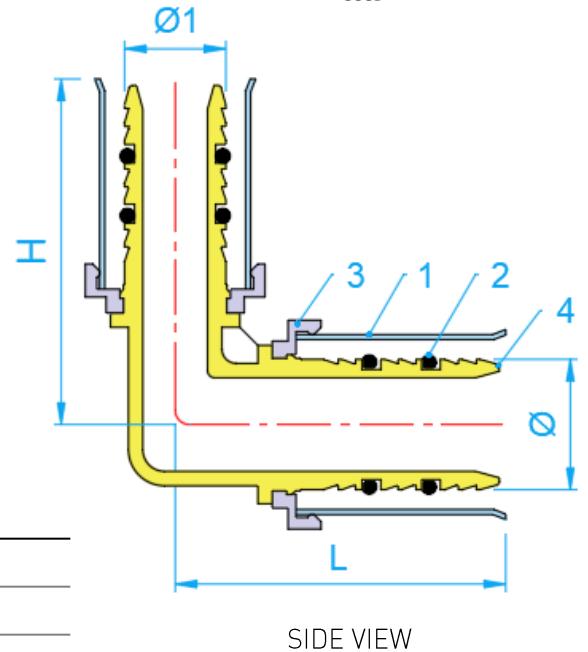
PEX PRESS-FIT FITTINGS (U PROFILE)



COMPLY WITH BS EN ISO 21003-1:2008
 BS EN ISO 21003-3:2008
 BS EN ISO 21003-5:2008
 BS EN 12165:2016
 AS/NZS 4020:2005
 SS 375:2015



F5 90° REDUCING ELBOW



COMPONENT PARTS

ITEM	PARTS	MATERIAL
1	Sleeve	AISI304
2	O Ring	EPDM
3	Plastic Gasket	PE
4	Body	DZR Brass (Nickel Plated)

DIMENSIONS

SKU	SIZE (mm)	Ø (mm)	Ø1 (mm)	L (mm)	H (mm)	WEIGHT (kg)	PCS/CTN
PEXF5RE9002016*	20X16	15.8	11.8	38.5	40.5	0.060	200
PEXF5RE9002516*	25X16	19.8	11.8	45.5	42.5	0.092	128
PEXF5RE9002520*	25X20	19.8	15.8	47.5	42.5	0.104	112
PEXF5RE9003216*	32X16	25.8	11.8	45.5	46.0	-	-
PEXF5RE9003220*	32X20	25.8	15.8	47.5	46.0	-	-
PEXF5RE9003225*	32X25	25.8	19.8	49.5	52.5	0.160	80
PEXF5RE9004025*	40X25	31.8	19.8	60.0	55.0	-	-
PEXF5RE9004032*	40X32	31.8	25.8	64.0	55.1	-	-
PEXF5RE9005025*	50X25	40.8	19.8	60.0	60.0	-	-
PEXF5RE9005032*	50X32	40.8	25.8	64.0	60.0	-	-
PEXF5RE9005040*	50X40	40.8	31.8	67.5	72.5	0.488	24
PEXF5RE9006332*	63X32	50.7	25.8	87.0	67.0	-	-
PEXF5RE9006340*	63X40	50.7	31.8	90.0	79.5	-	-
PEXF5RE9006350	63X50	50.7	40.8	95.5	79.5	0.900	8

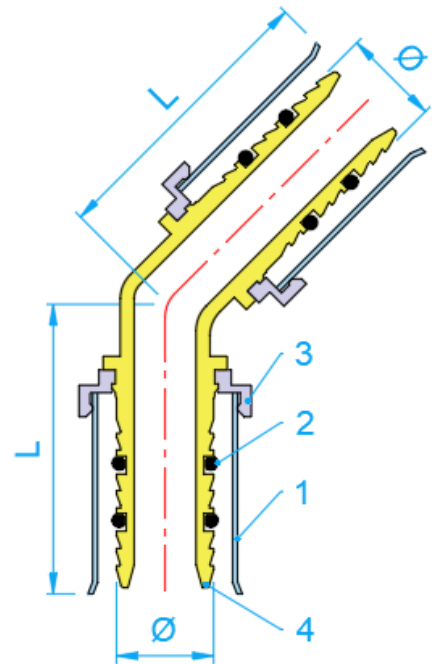
*This item requires special ordering. Please consult with a salesperson for the estimated lead time.

PEX PRESS-FIT FITTINGS (U PROFILE)

COMPLY WITH BS EN ISO 21003-1:2008
 BS EN ISO 21003-3:2008
 BS EN ISO 21003-5:2008
 BS EN 12165:2016
 AS/NZS 4020:2005
 SS 375:2015



F5 45° EQUAL ELBOW



SIDE VIEW

COMPONENT PARTS

ITEM	PARTS	MATERIAL
1	Sleeve	AISI304
2	O Ring	EPDM
3	Plastic Gasket	PE
4	Body	DZR Brass (Nickel Plated)

DIMENSIONS

SKU	SIZE (mm)	Ø (mm)	L (mm)	WEIGHT (kg)	PCS/CTN
PEXF5E45016*	16	11.8	34.5	0.045	160
PEXF5E45020*	20	15.8	37.0	0.067	144
PEXF5E45025*	25	19.8	43.5	0.128	96
PEXF5E45032*	32	25.8	44.5	0.200	45
PEXF5E45040	40	31.8	61.0	0.393	20
PEXF5E45050	50	40.8	64.0	0.567	15
PEXF5E45063	63	50.7	92.0	0.800	10
PEXF5E45075	75	59.6	92.0	1.583	6

*This item requires special ordering. Please consult with a salesperson for the estimated lead time.

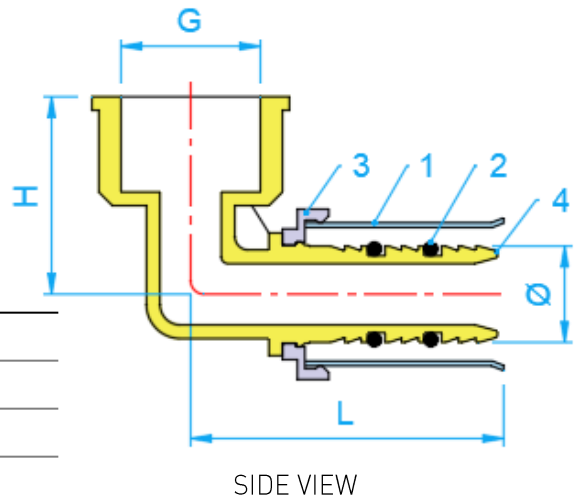
PEX PRESS-FIT FITTINGS (U PROFILE)



COMPLY WITH BS EN ISO 21003-1:2008
 BS EN ISO 21003-3:2008
 BS EN ISO 21003-5:2008
 BS EN 12165:2016
 AS/NZS 4020:2005
 SS 375:2015



F5 FI ELBOW



COMPONENT PARTS

ITEM	PARTS	MATERIAL
1	Sleeve	AISI304
2	O Ring	EPDM
3	Plastic Gasket	PE
4	Body	DZR Brass (Nickel Plated)

DIMENSIONS

SKU	SIZE (mm x inch)	Ø (mm)	G BSP (inch)	L (mm)	H (mm)	WEIGHT (kg)	PCS/CTN
PEXF5FIE01616	16×1/2"	11.8	1/2"	41	23	0.067	240
PEXF5FIE01620	16×3/4"	11.8	3/4"	44.0	24.0	0.086	144
PEXF5FIE02016*	20×1/2"	15.8	1/2"	41.0	25.0	0.077	176
PEXF5FIE02020	20×3/4"	15.8	3/4"	44.0	26.0	0.099	120
PEXF5FIE02025*	20×1"	15.8	1"	48.0	26.5	-	-
PEXF5FIE02516*	25×1/2"	19.8	1/2"	48.0	26.0	0.109	96
PEXF5FIE02520*	25×3/4"	19.8	3/4"	51.0	27.0	0.129	80
PEXF5FIE02525	25×1"	19.8	1"	55.0	28.0	0.158	72
PEXF5FIE03220*	32×3/4"	25.8	3/4"	51.0	29.5	0.164	72
PEXF5FIE03225*	32×1"	25.8	1"	55.0	30.5	0.195	64
PEXF5FIE03232	32×1 1/4"	25.8	1 1/4"	60.0	34.0	0.262	78
PEXF5FIE04025*	40×1"	31.8	1"	65.5	33.0	0.260	40
PEXF5FIE04032*	40×1 1/4"	31.8	1 1/4"	72.0	38.0	0.360	25
PEXF5FIE04040	40×1 1/2"	31.8	1 1/2"	75.0	38.0	0.412	25
PEXF5FIE05025*	50×1"	40.8	1"	66.5	37.0	0.368	25
PEXF5FIE05040*	50×1 1/2"	40.8	1 1/2"	75.0	42.0	0.483	30
PEXF5FIE05050	50×2"	40.8	2"	81.5	48.0	0.625	24
PEXF5FIE06325*	63×1"	50.7	1"	90.0	42.0	-	-
PEXF5FIE06350*	63×2"	50.7	2"	104.5	49.0	-	-

*This item requires special ordering. Please consult with a salesperson for the estimated lead time.

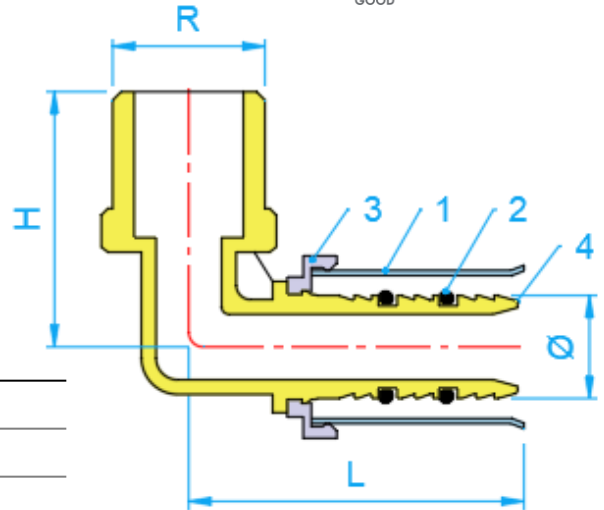
PEX PRESS-FIT FITTINGS (U PROFILE)



COMPLY WITH BS EN ISO 21003-1:2008
 BS EN ISO 21003-3:2008
 BS EN ISO 21003-5:2008
 BS EN 12165:2016
 AS/NZS 4020:2005
 SS 375:2015



F5 MI ELBOW



SIDE VIEW

COMPONENT PARTS

ITEM	PARTS	MATERIAL
1	Sleeve	AISI304
2	O Ring	EPDM
3	Plastic Gasket	PE
4	Body	DZR Brass (Nickel Plated)

DIMENSIONS

SKU	SIZE (mm x inch)	Ø (mm)	R BSPT (inch)	L (mm)	H (mm)	WEIGHT (kg)	PCS/CTN
PEXF5MIE01616	16 × 1/2"	11.8	1/2"	38.5	31.5	0.061	200
PEXF5MIE01620*	16 × 3/4"	11.8	3/4"	41.0	33.5	0.086	160
PEXF5MIE01625*	16 × 1"	11.8	1"	45.0	35.5	-	-
PEXF5MIE02016*	20 × 1/2"	15.8	1/2"	38.5	33.5	0.074	192
PEXF5MIE02020*	20 × 3/4"	15.8	3/4"	41.0	35.5	0.096	120
PEXF5MIE02025*	20 × 1"	15.8	1"	45.0	37.5	-	-
PEXF5MIE02516*	25 × 1/2"	19.8	1/2"	45.0	36.0	0.108	80
PEXF5MIE02520*	25 × 3/4"	19.8	3/4"	48.0	37.0	0.126	96
PEXF5MIE02525*	25 × 1"	19.8	1"	52.0	39.0	0.163	96
PEXF5MIE03220*	32 × 3/4"	25.8	3/4"	48.5	42.0	-	-
PEXF5MIE03225*	32 × 1"	25.8	1"	52.0	43.0	0.200	64
PEXF5MIE03232*	32 × 1 1/4"	25.8	1 1/4"	57.0	46.0	0.299	64
PEXF5MIE04025	40 × 1"	31.8	1"	68.0	42.0	0.295	40
PEXF5MIE04032	40 × 1 1/4"	31.8	1 1/4"	71.0	44.5	0.352	30
PEXF5MIE05025*	50 × 1"	40.8	1"	68.0	44.5	-	-
PEXF5MIE05040	50 × 1 1/2"	40.8	1 1/2"	75.0	50.0	0.479	24
PEXF5MIE05050*	50 × 2"	40.8	2"	82.0	53.5	-	-
PEXF5MIE06340*	63 × 1 1/2"	50.7	1 1/2"	98.0	55.0	-	-
PEXF5MIE06350*	63 × 2"	50.7	2"	105.0	60.0	-	-

*This item requires special ordering. Please consult with a salesperson for the estimated lead time.

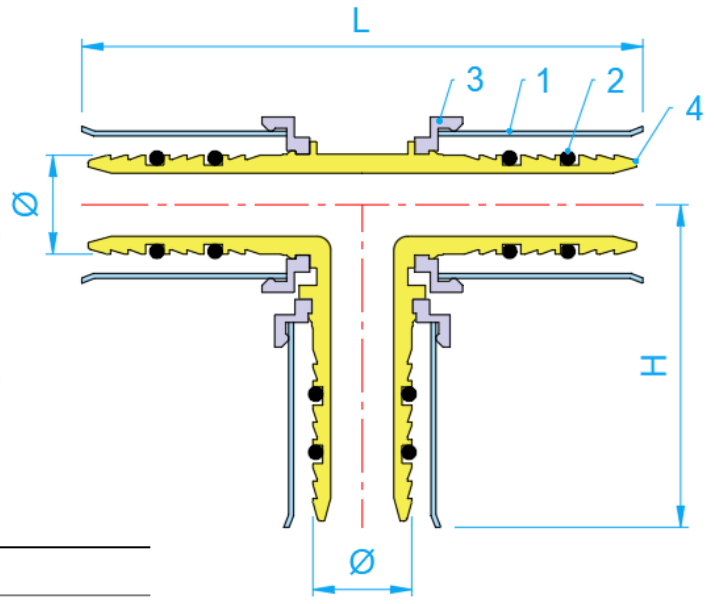
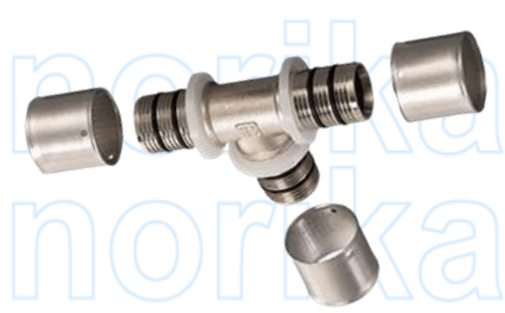
PEX PRESS-FIT FITTINGS (U PROFILE)



COMPLY WITH BS EN ISO 21003-1:2008
 BS EN ISO 21003-3:2008
 BS EN ISO 21003-5:2008
 BS EN 12165:2016
 AS/NZS 4020:2005
 SS 375:2015



F5 EQUAL TEE



SIDE VIEW

COMPONENT PARTS		
ITEM	PARTS	MATERIAL
1	Sleeve	AISI304
2	O Ring	EPDM
3	Plastic Gasket	PE
4	Body	DZR Brass (Nickel Plated)

DIMENSIONS

SKU	SIZE (mm)	Ø (mm)	L (mm)	H (mm)	WEIGHT (kg)	PCS/CTN
PEXF5ET016	16	11.8	74	37.0	0.076	160
PEXF5ET020	20	15.8	80	40.0	0.100	112
PEXF5ET025	25	20.8	95	47.5	0.188	48
PEXF5ET032	32	25.8	101	50.5	0.272	32
PEXF5ET040	40	31.8	136	68.0	0.550	24
PEXF5ET050	50	40.8	145	72.5	0.811	18
PEXF5ET063	63	50.7	206	103.0	1.500	4
PEXF5ET075	75	59.6	216	108.0	2.167	4

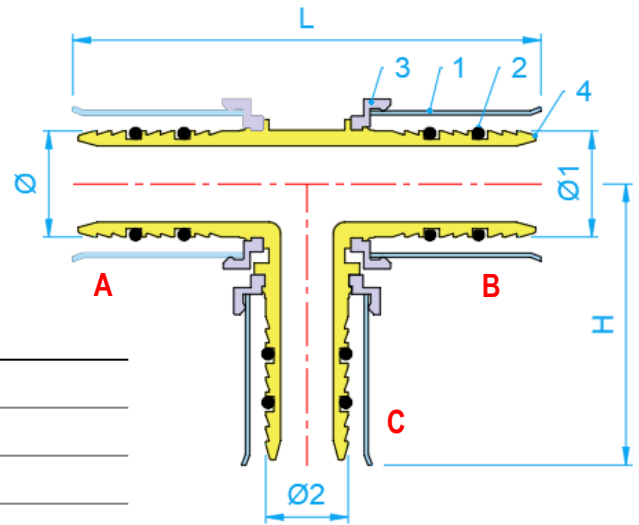
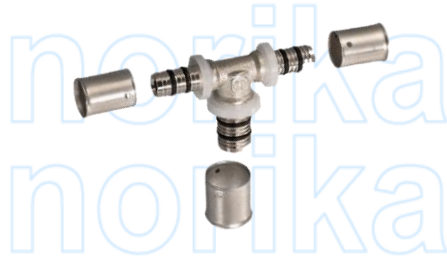
PEX PRESS-FIT FITTINGS (U PROFILE)



COMPLY WITH BS EN ISO 21003-1:2008
 BS EN ISO 21003-3:2008
 BS EN ISO 21003-5:2008
 BS EN 12165:2016
 AS/NZS 4020:2005
 SS 375:2015



F5 REDUCING TEE



SIDE VIEW

COMPONENT PARTS

ITEM	PARTS	MATERIAL
1	Sleeve	AISI304
2	O Ring	EPDM
3	Plastic Gasket	PE
4	Body	DZR Brass (Nickel Plated)

DIMENSIONS

SKU	SIZE (A*B*C)	SIZE (A*C*B)	Ø (mm)	Ø1 (mm)	Ø2 (mm)	L (mm)	H (mm)	WEIGHT (kg)	PCS/CTN
PEXF5RT0161620*	16×20×16	16×20×16	11.8	11.8	15.8	79.4	39.7	0.086	120
PEXF5RT0161625*	16×25×16	16×25×16	11.8	11.8	19.8	83.0	45.0	0.120	80
PEXF5RT0201616	20×16×16	20×16×16	15.8	11.8	11.8	76.0	40.0	0.088	120
PEXF5RT0202016	20×16×20	20×16×20	15.8	15.8	11.8	76.0	40.0	0.100	112
PEXF5RT0201620	20×20×16	20×20×16	15.8	11.8	15.8	80.0	40.0	0.088	120
PEXF5RT0202025*	20×25×20	20×25×20	15.8	15.8	19.8	84.4	47.1	0.124	96
PEXF5RT0251616*	25×16×16	25×16×16	19.8	11.8	11.8	82.8	42.2	0.110	96
PEXF5RT0252016*	25×16×20	25×16×20	19.8	15.8	11.8	83.0	45.5	0.116	96
PEXF5RT0252516	25×16×25	25×16×25	19.8	19.8	11.8	87.0	41.5	0.142	72
PEXF5RT0251620*	25×20×16	25×20×16	19.8	11.8	15.8	86.5	42.2	0.128	70
PEXF5RT0251625*	25×25×16	25×25×16	19.8	11.8	19.8	94.8	51.5	0.157	70
PEXF5RT0252020*	25×20×20	25×20×20	19.8	15.8	15.8	86.8	42.2	0.131	70
PEXF5RT0252520	25×20×25	25×20×25	19.8	19.8	15.8	91.0	41.5	0.155	64
PEXF5RT0252025*	25×25×20	25×25×20	19.8	15.8	19.8	91.0	49.0	0.167	70
PEXF5RT0252532*	25×32×25	25×32×25	19.8	19.8	25.8	107.2	48.6	0.222	70
PEXF5RT0322020*	32×20×20	32×20×20	25.8	15.8	15.8	86.8	45.2	0.166	48
PEXF5RT0322025*	32×25×20	32×25×20	25.8	15.8	19.8	92.7	51.6	0.202	40

*This item requires special ordering. Please consult with a salesperson for the estimated lead time.

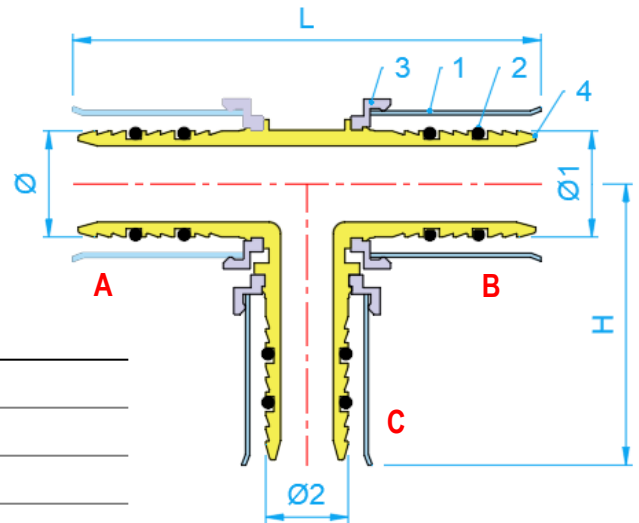
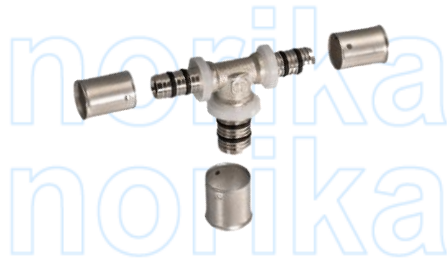
PEX PRESS-FIT FITTINGS (U PROFILE)



COMPLY WITH BS EN ISO 21003-1:2008
 BS EN ISO 21003-3:2008
 BS EN ISO 21003-5:2008
 BS EN 12165:2016
 AS/NZS 4020:2005
 SS 375:2015



F5 REDUCING TEE



SIDE VIEW

COMPONENT PARTS

ITEM	PARTS	MATERIAL
1	Sleeve	AISI304
2	O Ring	EPDM
3	Plastic Gasket	PE
4	Body	DZR Brass (Nickel Plated)

DIMENSIONS

SKU	SIZE	Ø	Ø1	Ø2	L	H	WEIGHT	PCS/CTN
(A*B*C)	(A*C*B)	(mm)	(mm)	(mm)	(mm)	(mm)	(kg)	
PEXF5RT0322032*	32×32×20	25.8	15.8	25.8	97.3	51.6	0.227	32
PEXF5RT0322520*	32×20×25	25.8	19.8	15.8	94.2	44.2	0.189	48
PEXF5RT0322525*	32×25×25	25.8	19.8	19.8	97.0	50.0	0.213	40
PEXF5RT0322532*	32×32×25	25.8	19.8	25.8	103.2	51.6	0.248	32
PEXF5RT0323216	32×16×32	25.8	25.8	11.8	87.0	44.5	0.190	40
PEXF5RT0323220	32×20×32	25.8	25.8	15.8	91.0	44.5	0.213	40
PEXF5RT0323225	32×25×32	25.8	25.8	19.8	97.0	50.0	0.218	40
PEXF5RT0403225*	40×25×32	31.8	25.8	19.8	112.1	56.6	0.36	36
PEXF5RT0403232	40×32×32	31.8	25.8	25.8	120.1	56.6	0.393	36
PEXF5RT0404016	40×16×40	31.8	31.8	11.8	114.0	48.8	0.409	36
PEXF5RT0404020	40×20×40	31.8	31.8	15.8	114.0	48.5	0.389	36
PEXF5RT0404025	40×25×40	31.8	31.8	19.8	120.0	55.0	0.425	32
PEXF5RT0403232	40×32×32	31.8	25.8	25.8	115.5	55.0	0.402	36
PEXF5RT0404032	40×32×40	31.8	31.8	25.8	128.0	57.0	0.478	28
PEXF5RT0503232*	50×32×32	40.8	25.8	25.8	120.1	61.6	0.488	20
PEXF5RT0504025*	50×25×40	40.8	31.8	19.8	-	-	-	-
PEXF5RT0504032*	50×32×40	40.8	31.8	25.8	134.0	61.6	0.57	20

*This item requires special ordering. Please consult with a salesperson for the estimated lead time.

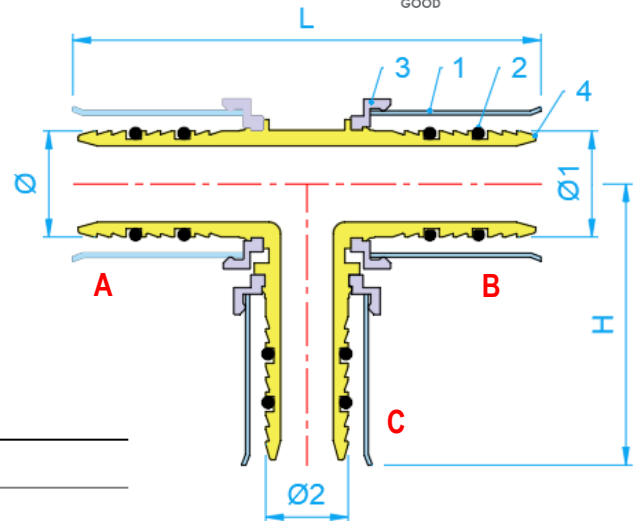
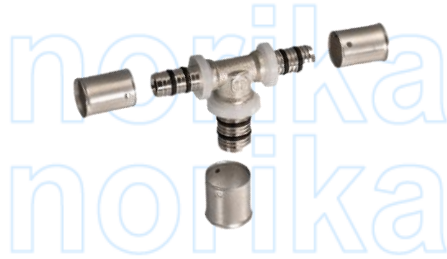
PEX PRESS-FIT FITTINGS (U PROFILE)



COMPLY WITH BS EN ISO 21003-1:2008
 BS EN ISO 21003-3:2008
 BS EN ISO 21003-5:2008
 BS EN 12165:2016
 AS/NZS 4020:2005
 SS 375:2015



F5 REDUCING TEE



SIDE VIEW

COMPONENT PARTS

ITEM	PARTS	MATERIAL
1	Sleeve	AISI304
2	O Ring	EPDM
3	Plastic Gasket	PE
4	Body	DZR Brass (Nickel Plated)

DIMENSIONS

SKU (A*B*C)	SIZE (A*C*B)	Ø (mm)	Ø1 (mm)	Ø2 (mm)	L (mm)	H (mm)	WEIGHT (kg)	PCS/CTN
PEXF5RT0504040*	50×40×40	40.8	31.8	31.8	-	-	-	-
PEXF5RT0505016	50×16×50	40.8	40.8	11.8	114.0	53.0	0.534	20
PEXF5RT0505020	50×20×50	40.8	40.8	15.8	115.0	53.5	0.548	20
PEXF5RT0505025	50×25×50	40.8	40.8	19.8	120.0	53.5	0.547	20
PEXF5RT0505032	50×32×50	40.8	40.8	25.8	128.0	60.0	0.600	18
PEXF5RT0505040	50×40×50	40.8	40.8	31.8	136.0	73.0	0.680	18
PEXF5RT0636320	63×20×63	50.7	50.7	15.8	171	60.7	1.042	8
PEXF5RT0636325	63×25×63	50.8	50.8	19.8	174.0	68.6	1.014	7
PEXF5RT0636332	63×32×63	50.8	50.8	25.8	174.0	67.0	1.014	7
PEXF5RT0636340	63×40×63	50.8	50.8	31.8	181.0	79.5	1.157	7
PEXF5RT0636350	63×50×63	50.8	50.8	40.8	191.0	79.5	1.390	8
PEXF5RT0757532	75×32×75	59.6	59.6	25.8	174.0	73.0	1.600	5
PEXF5RT0757540	75×40×75	59.6	59.6	31.8	194.0	87.0	1.880	4
PEXF5RT0757550*	75×50×75	59.6	59.6	40.8	194.0	85.0	2.475	4
PEXF5RT0757563	75×63×75	59.6	59.6	50.8	205.0	109.0	2.250	4

*This item requires special ordering. Please consult with a salesperson for the estimated lead time.

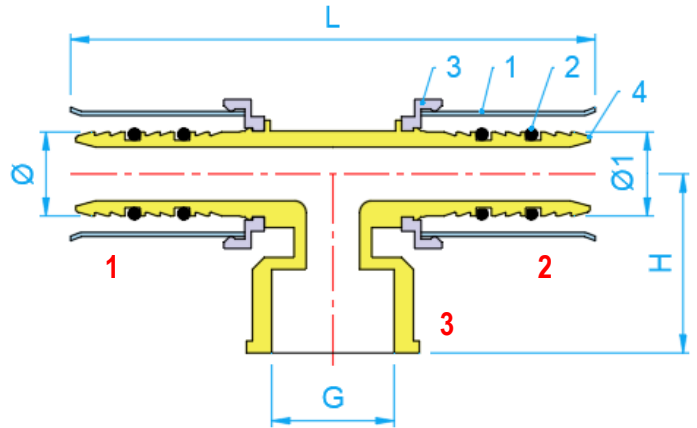
PEX PRESS-FIT FITTINGS (U PROFILE)



COMPLY WITH BS EN ISO 21003-1:2008
 BS EN ISO 21003-3:2008
 BS EN ISO 21003-5:2008
 BS EN 12165:2016
 AS/NZS 4020:2005
 SS 375:2015



F5 FI TEE



SIDE VIEW

COMPONENT PARTS

ITEM	PARTS	MATERIAL
1	Sleeve	AISI304
2	O Ring	EPDM
3	Plastic Gasket	PE
4	Body	DZR Brass (Nickel Plated)

DIMENSIONS

SKU	SIZE (mm x mm x inch)	Ø (mm)	Ø1 (mm)	G BSPT (inch)	L (mm)	H (mm)	WEIGHT (kg)	PCS/CTN
PEXF5FIT01616*	16×16×1/2"	11.8	11.8	1/2"	82	23.0	0.089	120
PEXF5FIT01620*	16×16×3/4"	11.8	11.8	3/4"	88	24.0	0.113	80
PEXF5FIT02016*	20×20×1/2"	15.8	15.8	1/2"	82	25.0	0.123	96
PEXF5FIT02020*	20×20×3/4"	15.8	15.8	3/4"	88	26.0	0.128	96
PEXF5FIT02516*	25×25×1/2"	19.8	19.8	1/2"	96	26.0	0.161	64
PEXF5FIT02520*	25×25×3/4"	19.8	19.8	3/4"	102	27.0	0.205	56
PEXF5FIT03216*	32×32×1/2"	25.8	25.8	1/2"	102	30.0	0.200	48
PEXF5FIT03220*	32×32×3/4"	25.8	25.8	3/4"	102	30.0	0.244	32
PEXF5FIT03225*	32×32×1"	25.8	25.8	1"	110	31.0	0.313	24
PEXF5FIT0403220	40×32×3/4"	31.8	25.8	3/4"	113.5	31.0	0.354	32
PEXF5FIT04020*	40×40×3/4"	31.8	31.8	3/4"	126	31.0	0.424	25
PEXF5FIT04025	40×40×1"	31.8	31.8	1"	131	40.0	0.483	30
PEXF5FIT04032*	40×40×1 1/4"	31.8	31.8	1 1/4"	144	38.0	0.559	20
PEXF5FIT04040*	40×40×1 1/2"	31.8	31.8	1 1/2"	150	38.0	0.596	20

*This item requires special ordering. Please consult with a salesperson for the estimated lead time.

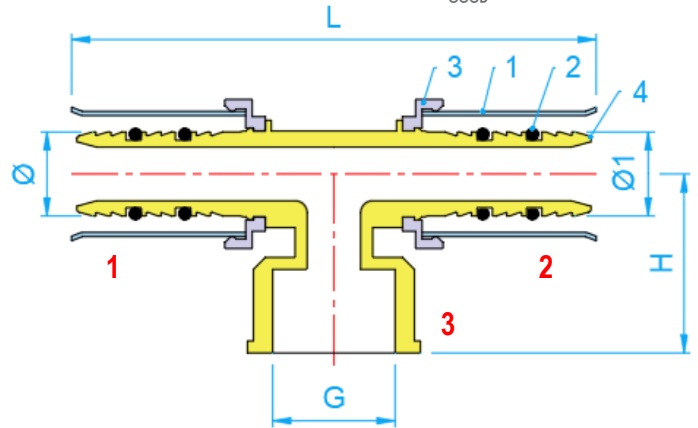
PEX PRESS-FIT FITTINGS (U PROFILE)



COMPLY WITH BS EN ISO 21003-1:2008
 BS EN ISO 21003-3:2008
 BS EN ISO 21003-5:2008
 BS EN 12165:2016
 AS/NZS 4020:2005
 SS 375:2015



F5 FI TEE



SIDE VIEW

COMPONENT PARTS

ITEM	PARTS	MATERIAL
1	Sleeve	AISI304
2	O Ring	EPDM
3	Plastic Gasket	PE
4	Body	DZR Brass (Nickel Plated)

DIMENSIONS

SKU	SIZE (mm x mm x inch)	Ø (mm)	Ø1 (mm)	G BSPT (inch)	L (mm)	H (mm)	WEIGHT (kg)	PCS/CTN
PEXF5FIT0504020*	50×40×3/4"	40.8	31.8	3/4"	128	36.0	0.530	22
PEXF5FIT05020*	50×50×3/4"	40.8	40.8	3/4"	128	36.0	0.588	22
PEXF5FIT05025*	50×50×1"	40.8	40.8	1"	132	40.0	0.551	22
PEXF5FIT05032*	50×50×11/4"	40.8	40.8	1 1/4"	150	42.0	0.700	18
PEXF5FIT05040*	50×50×11/2"	40.8	40.8	1 1/2"	150	42.0	0.710	20
PEXF5FIT05050*	50×50×2"	40.8	40.8	2"	163	44.0	0.881	30
PEXF5FIT0635020*	63×50×3/4"	50.7	40.8	3/4"	150	43.0	0.850	12
PEXF5FIT06320*	63×63×3/4"	50.7	50.7	3/4"	174	43.0	1.083	12
PEXF5FIT06325*	63×63×1"	50.7	50.7	1"	180	45.0	1.092	12
PEXF5FIT06340*	63×63×11/2"	50.7	50.7	1 1/2"	196	48.0	1.208	8
PEXF5FIT06350*	63×63×2"	50.7	50.7	2"	214	51.0	1.250	8
PEXF5FIT06363*	63×63×21/2"	50.7	50.7	2 1/2"	240	64.5	1.750	4
PEXF5FIT07540*	75×75×11/2"	59.6	59.6	1 1/2"	209	52.0	1.647	8
PEXF5FIT07550*	75×75×2"	59.6	59.6	2"	209	56.0	1.875	8
PEXF5FIT07563*	75×75×21/2"	59.6	59.6	2 1/2"	240	61.5	2.251	4

*This item requires special ordering. Please consult with a salesperson for the estimated lead time.

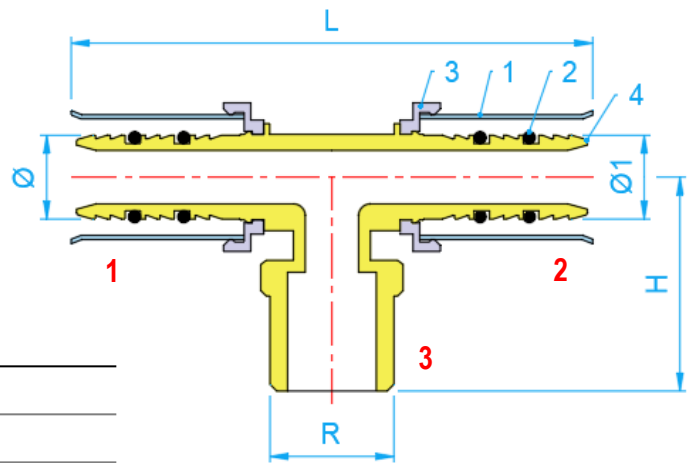
PEX PRESS-FIT FITTINGS (U PROFILE)



COMPLY WITH BS EN ISO 21003-1:2008
 BS EN ISO 21003-3:2008
 BS EN ISO 21003-5:2008
 BS EN 12165:2016
 AS/NZS 4020:2005
 SS 375:2015



F5 MI TEE



SIDE VIEW

COMPONENT PARTS

ITEM	PARTS	MATERIAL
1	Sleeve	AISI304
2	O Ring	EPDM
3	Plastic Gasket	PE
4	Body	DZR Brass (Nickel Plated)

DIMENSIONS

SKU	SIZE (mm x mm x inch)	Ø (mm)	Ø1 (mm)	R BSPT (inch)	L (mm)	H (mm)	WEIGHT (kg)	PCS/CTN
PEXF5MIT01616*	16×16×1/2"	11.8	11.8	1/2"	77	32.5	0.085	144
PEXF5MIT01620*	16×16×3/4"	11.8	11.8	3/4"	82	34.5	-	-
PEXF5MIT02016*	20×20×1/2"	15.8	15.8	1/2"	77	34.5	0.117	120
PEXF5MIT020*	20×20×3/4"	15.8	15.8	3/4"	82	36.5	-	-
PEXF5MIT02516*	25×25×1/2"	19.8	19.8	1/2"	90	38.0	-	-
PEXF5MIT02520*	25×25×3/4"	19.8	19.8	3/4"	96	39.0	-	-
PEXF5MIT03220*	32×32×3/4"	25.8	25.8	3/4"	96	43.0	-	-
PEXF5MIT03225*	32×32×1"	25.8	25.8	1"	104	45.0	-	-
PEXF5MIT05040*	50×50×1 1/2"	40.8	40.8	1 1/2"	150	50.0	-	-

*This item requires special ordering. Please consult with a salesperson for the estimated lead time.

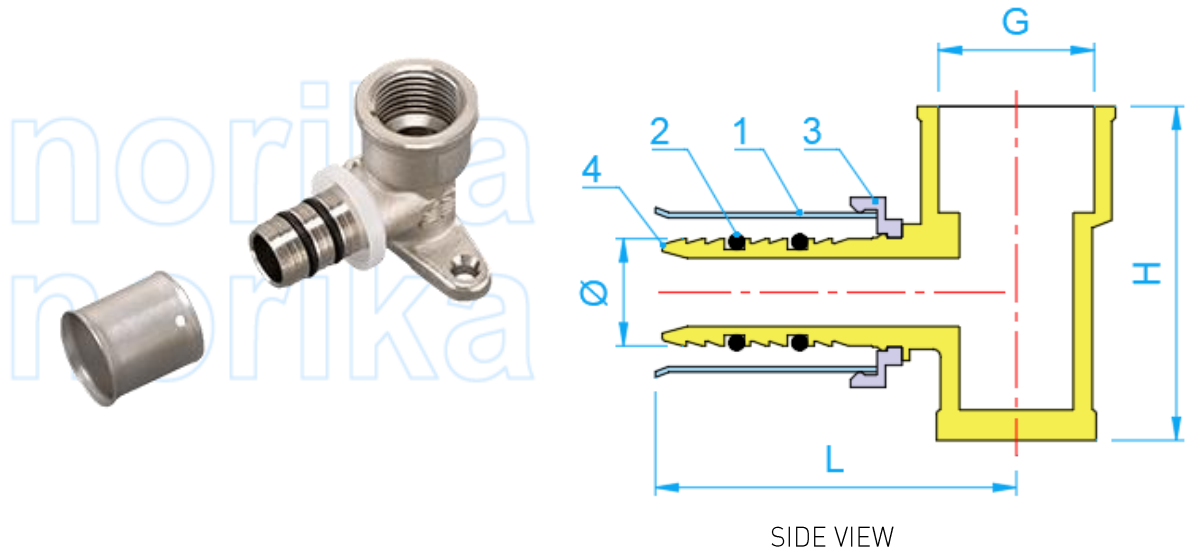
PEX PRESS-FIT FITTINGS (U PROFILE)



COMPLY WITH BS EN ISO 21003-1:2008
 BS EN ISO 21003-3:2008
 BS EN ISO 21003-5:2008
 BS EN 12165:2016
 AS/NZS 4020:2005
 SS 375:2015



F5 FI WALLPLATE ELBOW



COMPONENT PARTS

ITEM	PARTS	MATERIAL
1	Sleeve	AISI304
2	O Ring	EPDM
3	Plastic Gasket	PE
4	Body	DZR Brass (Nickel Plated)

DIMENSIONS

SKU	SIZE (mm x inch)	Ø (mm)	L (mm)	G BSP (inch)	H (mm)	WEIGHT (kg)	PCS/CTN
PEXF5FE016*	16×1/2"	11.8	41.5	1/2"	38.5	0.096	112
PEXF5FE01620*	16×3/4"	11.8	44.0	3/4"	43.0	-	-
PEXF5FE02016*	20×1/2"	15.8	41.5	1/2"	43.0	0.108	96
PEXF5FE020*	20×3/4"	15.8	44.0	3/4"	44.0	0.135	96
PEXF5FE02520*	25×3/4"	19.8	50.5	3/4"	48.0	0.177	64

*This item requires special ordering. Please consult with a salesperson for the estimated lead time.

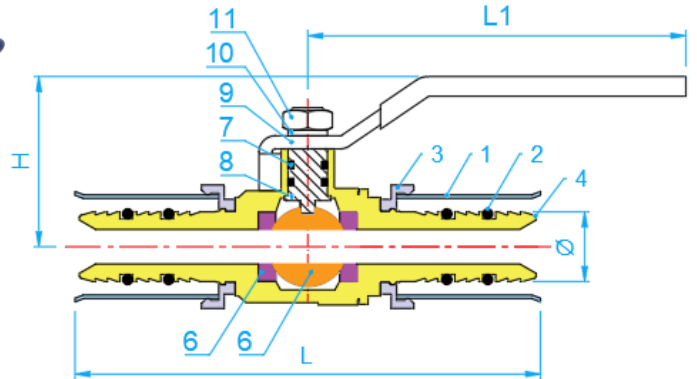
PEX PRESS-FIT FITTINGS (U PROFILE)



COMPLY WITH BS EN ISO 21003-1:2008
 BS EN ISO 21003-3:2008
 BS EN ISO 21003-5:2008
 BS EN 12165:2016
 AS/NZS 4020:2005
 SS 375:2015



F5 BALL VALVE



SIDE VIEW

COMPONENT PARTS

ITEM	PARTS	MATERIAL
1	Sleeve	AISI304
2	O Ring	EPDM
3	Plastic Gasket	PE
4	Body	DZR Brass (Nickel Plated)
5	Seat	PTFE
6	Ball	DZR Brass
7	O-ring	EPDM
8	Stem	DZR Brass
9	Handle	Q235
10	Spring Washer	65Mn Spring Steel
11	Nut	AISI304

DIMENSIONS

SKU	SIZE (mm)	D (mm)	L (mm)	L1 (mm)	H (mm)	WEIGHT (kg)	PCS/CTN
PEXF5BV016*	16	25	84.4	73.5	37.4	0.107	150
PEXF5BV020*	20	29	89.4	84.0	43.2	0.172	120
PEXF5BV025*	25	35	110.2	84.0	43.7	0.270	84

*This item requires special ordering. Please consult with a salesperson for the estimated lead time.

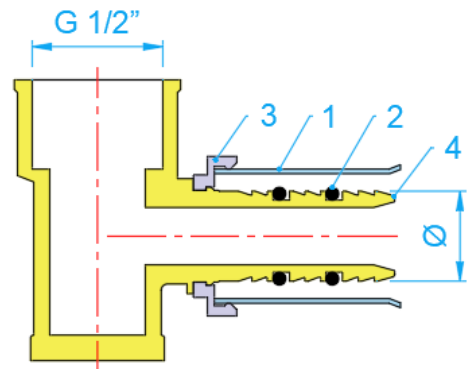
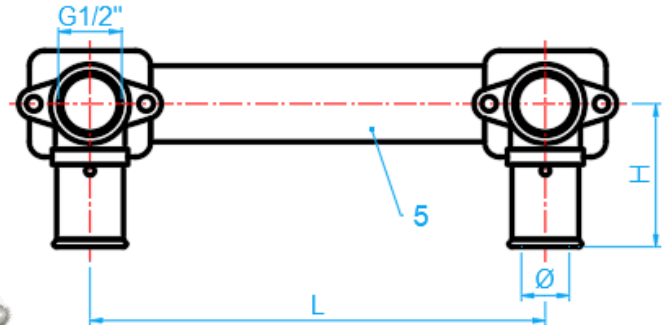
PEX PRESS-FIT FITTINGS (U PROFILE)



COMPLY WITH BS EN ISO 21003-1:2008
 BS EN ISO 21003-3:2008
 BS EN ISO 21003-5:2008
 BS EN 12165:2016
 AS/NZS 4020:2005
 SS 375:2015



F5 ASSEMBLY DOUBLE ELBOW



SIDE VIEW

COMPONENT PARTS

ITEM	PARTS	MATERIAL
1	Sleeve	AISI304
2	O Ring	EPDM
3	Plastic Gasket	PE
4	Body	DZR Brass (Nickel Plated)
5	Connecting Plate	AISI304

DIMENSIONS

SKU	SIZE (mm)	Ø (mm)	L (mm)	H (mm)	WEIGHT (kg)	PCS/CTN
PEXF5FE016S*	16X1/2"	11.8	150	49.5	0.415	20
PEXF5FE02016S*	20X1/2"	15.8	150	51.0	0.450	16

*This item requires special ordering. Please consult with a salesperson for the estimated lead time.

Built For Water



Main Office

(Kitchener Road)

133 Kitchener Road,
Singapore 208517
Official Operating Hours:
Mon – Fri : 8:00am – 5:30pm
Sat, Sun & PH: Closed

Fax: (65) 6296 7195 (Local)
Fax: (65) 6392 1280
(International)

North Office

(Admiralty Street)

North Link Building,
No.10 Admiralty Street,
#02-45,
Singapore 757695
Official Operating Hours:
Mon – Fri : 8:00am –
5:30pm
Sat, Sun & PH: Closed

Fax: (65) 6555 5710

Scan to Contact Us:

