

NORIKA COPPER PRESS FIT FITTINGS (M PROFILE)





TEST CERTIFICATE

POTABLE WATER FITTINGS SCHEME

Certificate Number : TC-J0038
Issue No: 04

This Certificate is awarded to the following product(s) which has / have complied with the requirements of the listed standard(s) in accordance with Stipulation of Standards and Requirements for Water Fittings for Use in Potable Water Service Installations.

Client : **Liang Chew Hardware Pte Ltd**
 133 Kitchener Road
 Singapore 208517

Product : Copper Press Fit Fittings

Brand / Model : Norika / PFN

Detail : Nominal sizes (mm): 15 to 65

Test Standard(s) : BS EN 1254-2: 1998, AS 3688: 2006, ISO 6957: 1988, BS EN 1057: 2006, AS/NZS 4020: 2018, SS 270: 2015, SS 375: 2015, BS EN 12165: 2016

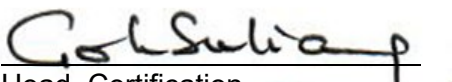
Test Report(s) : 2423858-OYC, 2222131/01-OYC, 2222131/02-CPC, 2222131/03-CPC, 2221990-OYC, 2020889-CPC, 2020843/01-CPC, 2020794-OYC, 1820238/01-OYC, FB8500287176

A sample of the product submitted was tested and found to comply with the test requirements of the above standard(s).

Date of Original Issue : 21 November 2018

Date of Last Revision : 13 November 2024

Date of Expiry : 20 November 2026


 Head, Certification
 Singapore Test Lab Pte Ltd

This Certificate is part of a full report and should be read in conjunction with it. This Certificate remains the property of Singapore Test Lab Pte Ltd and shall be returned upon request. The use of this Certificate is subjected to the Terms and Conditions of Singapore Test Lab Pte Ltd. The manufacturer is solely responsible for the compliance of any product that has the same designation as the product type tested.



Singapore Test Lab Pte Ltd certifies according to ISO / IEC 17065

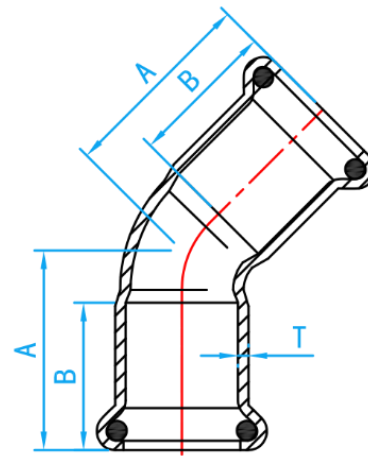


COPPER PRESS FIT FITTINGS (M PROFILE)

COMPLY WITH BSEN1254-2: 1998



45° ELBOW



CROSS SECTIONAL VIEW

DIMENSIONS

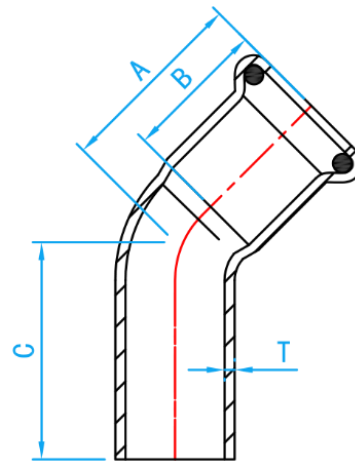
SKU	SIZE (mm)	A (mm)	B (mm)	T (mm)	WEIGHT (Kg)	PCS/CTN
PFNE45015	15	27.5	20	1.5	0.040	360
PFNE45020	22	32.0	21	1.5	0.062	120
PFNE45025	28	37.0	23	1.5	0.089	80
PFNE45035	35	43.5	26	1.5	0.196	52
PFNE45042	42	51.0	30	1.5	0.194	28
PFNE45050	54	62.0	35	1.5	0.300	18
PFNE45065	67	85.0	50.0	2.0	0.630	7
PFNE45080	76	91.0	50.0	2.0	0.884	6

COPPER PRESS FIT FITTINGS (M PROFILE)

COMPLY WITH BSEN1254-2: 1998



45° ELBOW MXF



CROSS SECTIONAL VIEW

DIMENSIONS

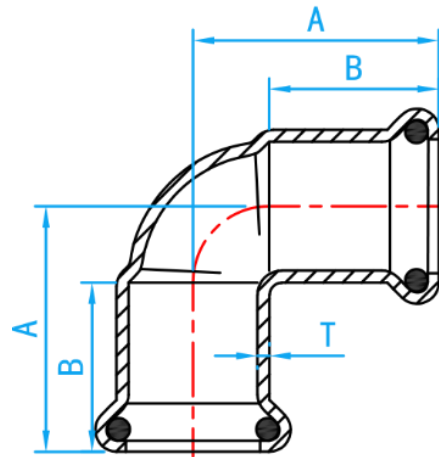
SKU	SIZE (mm)	A (mm)	B (mm)	C [mm]	T (mm)	WEIGHT (Kg)	PCS/CTN
PFNE45015MF	15	27.5	20	34.0	1.5	0.038	360
PFNE45020MF	22	32.0	21	42.0	1.5	0.066	120
PFNE45025MF	28	37.0	23	45.5	1.5	0.094	100
PFNE45035MF	35	43.5	26	58.0	1.5	0.148	48
PFNE45042MF	42	51.0	30	73.0	1.5	0.218	28
PFNE45050MF	54	62.0	35	85.0	1.5	0.331	16
PFNE45065MF	67	85.0	50	90.0	2.0	0.615	9
PFNE45080MF	76	91.0	50	97.0	2.0	0.888	6

COPPER PRESS FIT FITTINGS (M PROFILE)

COMPLY WITH BSEN1254-2: 1998



90° ELBOW



CROSS SECTIONAL VIEW

DIMENSIONS

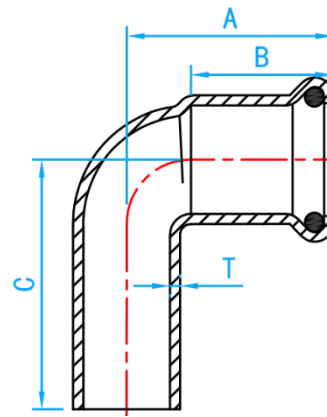
SKU	SIZE (mm)	A (mm)	B (mm)	T (mm)	WEIGHT (Kg)	PCS/CTN
PFNE90015	15	29.0	20.0	1.5	0.045	360
PFNE90020	22	34.0	21.0	1.5	0.079	150
PFNE90025	28	40.0	23.0	1.5	0.115	100
PFNE90035	35	68.0	26.0	1.5	0.170	40
PFNE90042	42	80.0	30.0	1.5	0.247	24
PFNE90050	54	105.0	45.0	1.5	0.380	12
PFNE90065	67	132.0	50.0	2.0	0.800	6
PFNE90080	76	142.0	50.0	2.0	1.045	4

COPPER PRESS FIT FITTINGS (M PROFILE)

COMPLY WITH BSEN1254-2: 1998



90° ELBOW MXF



CROSS SECTIONAL VIEW

DIMENSIONS

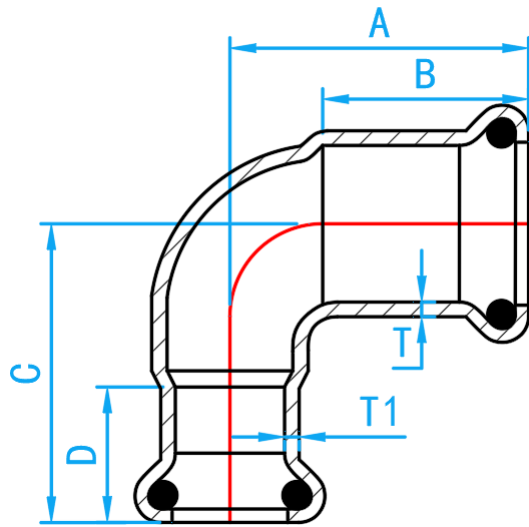
SKU	SIZE (mm)	A (mm)	B (mm)	C [mm]	T (mm)	WEIGHT (Kg)	PCS/CTN
PFNE90015MF	15	29.0	20.0	35.0	1.5	0.044	360
PFNE90020MF	22	34.0	21.0	43.0	1.5	0.082	140
PFNE90025MF	28	40.0	23.0	47.0	1.5	0.117	80
PFNE90035MF	35	68.0	26.0	82.0	1.5	0.187	40
PFNE90042MF	42	80.0	30.0	103.0	1.5	0.283	24
PFNE90050MF	54	100.0	35.0	123.0	1.5	0.437	12
PFNE90065MF	67	132.0	50.0	140.0	2.0	0.745	5
PFNE90080MF	76	142.0	50.0	150.0	2.0	1.140	4

COPPER PRESS FIT FITTINGS (M PROFILE)

COMPLY WITH BSEN1254-2: 1998



90°REDUCER ELBOW



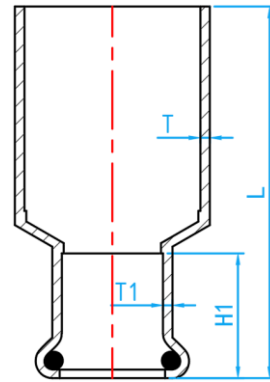
CROSS SECTIONAL VIEW

DIMENSIONS

SKU	SIZE (mm)	A (mm)	B (mm)	C [mm]	D [mm]	T [mm]	T1 [mm]	WEIGHT (Kg)	PCS/CTN
PFNRE9002015	22×15	46.7	27.5	44.5	26.3	1.5	1.5	0.070	180
PFNRE9002515	28×15	43.0	20.0	37.0	17.0	1.5	1.5	0.083	140
PFNRE9002520	28×22	40.0	23.0	36.0	21.0	1.5	1.5	0.087	150

COPPER PRESS FIT FITTINGS (M PROFILE)

COMPLY WITH BSEN1254-2: 1998


REDUCER MXF


CROSS SECTIONAL VIEW

DIMENSIONS

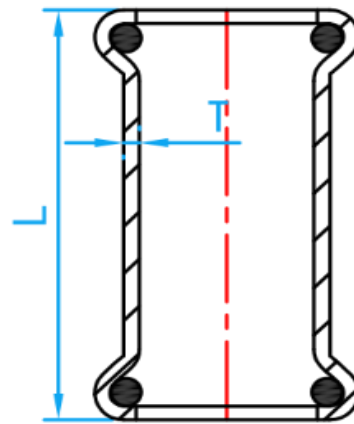
SKU	SIZE (mm)	H1 (mm)	L (mm)	T (mm)	T1 (mm)	WEIGHT (Kg)	PCS/CTN
PFNRS02015MF	22×15	20.0	50.0	1.5	1.5	0.036	300
PFNRS02515MF	28×15	20.0	54.0	1.5	1.5	0.051	250
PFNRS02520MF	28×22	21.0	52.0	1.5	1.5	0.054	160
PFNRS03520MF	35×22	21.0	59.0	1.5	1.5	0.070	120
PFNRS03525MF	35×28	23.0	58.0	1.5	1.5	0.073	100
PFNRS04220MF	42×22	21.0	66.0	1.5	1.5	0.098	80
PFNRS04225MF	42×28	23.0	66.0	1.5	1.5	0.101	70
PFNRS04235MF	42×35	26.0	65.0	1.5	1.5	0.101	60
PFNRS05020MF	54×22	21.0	81.0	1.5	1.5	0.148	60
PFNRS05025MF	54×28	23.0	79.0	1.5	1.5	0.157	60
PFNRS05035MF	54×35	26.0	78.0	1.5	1.5	0.161	40
PFNRS05042MF	54×42	30.0	76.0	1.5	1.5	0.165	40
PFNRS06525MF	67×28	23.0	96.0	2.0	1.5	0.261	20
PFNRS06535MF	67×35	26.0	95.0	2.0	1.5	0.262	22
PFNRS06542MF	67×42	30.0	96.0	2.0	1.5	0.280	20
PFNRS06550MF	67×54	35.0	98.0	2.0	1.5	0.291	20
PFNRS08035MF	76×35	26.0	104.0	2.0	1.5	0.345	18
PFNRS08042MF	76×42	30.0	103.0	2.0	1.5	0.330	15
PFNRS08050MF	76×54	35.0	108.0	2.0	1.5	0.367	15
PFNRS08065MF	76×67	50.0	113.0	2.0	2.0	0.460	15

COPPER PRESS FIT FITTINGS (M PROFILE)



COMPLY WITH BSEN1254-2: 1998

EQUAL SOCKET



CROSS SECTIONAL VIEW

DIMENSIONS

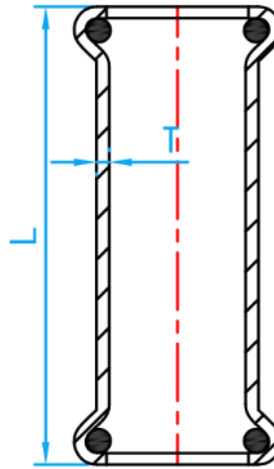
SKU	SIZE (mm)	L (mm)	T (mm)	WEIGHT (Kg)	PCS/CTN
PFNES015	15	43.45	1.5	0.033	300
PFNES020	22	44.95	1.5	0.049	200
PFNES025	28	49.50	1.5	0.061	120
PFNES035	35	55.00	1.5	0.095	72
PFNES042	42	62.00	1.5	0.128	50
PFNES050	54	74.00	1.5	0.189	24
PFNES065	67	110.00	2.0	0.435	13
PFNES080	76	110.00	2.0	0.605	10

COPPER PRESS FIT FITTINGS (M PROFILE)



COMPLY WITH BSEN1254-2: 1998

LONG SOCKET



CROSS SECTIONAL VIEW

DIMENSIONS

SKU	SIZE (mm)	L (mm)	T (mm)	WEIGHT (Kg)	PCS/CTN
PFNES015L	15	80.25	1.5	0.054	200
PFNES020L	22	80.50	1.5	0.079	100
PFNES025L	28	90.60	1.5	0.103	70
PFNES035L	35	102.00	1.5	0.156	48
PFNES042L	42	120.00	1.5	0.223	50
PFNES050L	54	140.00	1.5	0.330	20
PFNES065L	67	150.00	2.0	0.600	8
PFNES080L	76	150.00	2.0	1.000	6

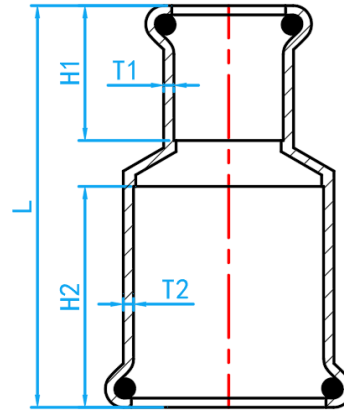
COPPER PRESS FIT FITTINGS (M PROFILE)



COMPLY WITH BSEN1254-2: 1998



REDUCEING SOCKET



CROSS SECTIONAL VIEW

DIMENSIONS

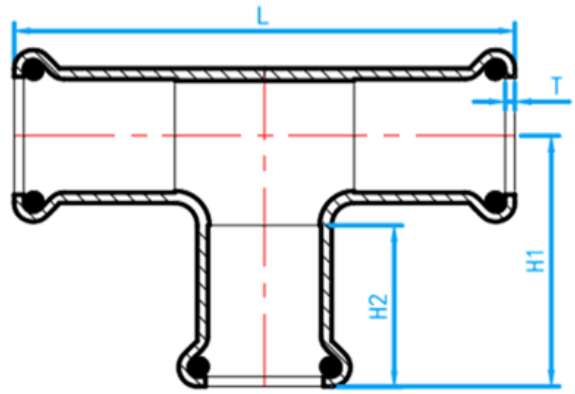
SKU	SIZE (mm)	L (mm)	H1 (mm)	H2 (mm)	T1 (mm)	T2 (mm)	WEIGHT (Kg)	PCS/CTN
PFNRS02015	22 × 15	48	20	21	1.5	1.5	0.042	250
PFNRS02515	28 × 15	53	20	23	1.5	1.5	0.057	180
PFNRS02520	28 × 22	51	21	23	1.5	1.5	0.061	150
PFNRS03515	35 × 15	60	20	26	1.5	1.5	0.079	120
PFNRS03520	35 × 22	57	21	26	1.5	1.5	0.083	120
PFNRS03525	35 × 28	56	23	26	1.5	1.5	0.083	100
PFNRS04220	42 × 22	65	21	30	1.5	1.5	0.116	80
PFNRS04225	42 × 28	63	23	30	1.5	1.5	0.120	70
PFNRS04235	42 × 35	63	26	30	1.5	1.5	0.127	60
PFNRS05025	54 × 28	73	23	35	1.5	1.5	0.165	48
PFNRS05035	54 × 35	74	26	35	1.5	1.5	0.175	40
PFNRS05042	54 × 42	75	30	35	1.5	1.5	0.170	32
PFNRS06525	67 × 28	98	23	50	1.6	1.3	0.315	20
PFNRS06550	67 × 54	96	35	50	1.5	2.0	0.332	18
PFNRS08050	76 × 54	102	35	50	1.5	2.0	0.460	15
PFNRS08065	76 × 67	111	50	50	1.6	2.0	0.560	11

COPPER PRESS FIT FITTINGS (M PROFILE)

COMPLY WITH BSEN1254-2: 1998



EQUAL TEE



CROSS SECTIONAL VIEW

DIMENSIONS

SKU	SIZE (mm)	H1 (mm)	H2 (mm)	L (mm)	T (mm)	WEIGHT (Kg)	PCS/CTN
PFNET015	15	32	20	64	1.5	0.072	180
PFNET020	22	37	21	74	1.5	0.111	80
PFNET025	28	42	23	84	1.5	0.156	50
PFNET035	35	50	26	100	1.5	0.274	30
PFNET042	42	58	30	116	1.5	0.400	18
PFNET050	54	69	35	138	1.5	0.588	12
PFNET065	67	85	50	190	2.0	1.126	5
PFNET080	76	87	50	202	2.0	1.463	3

COPPER PRESS FIT FITTINGS (M PROFILE)

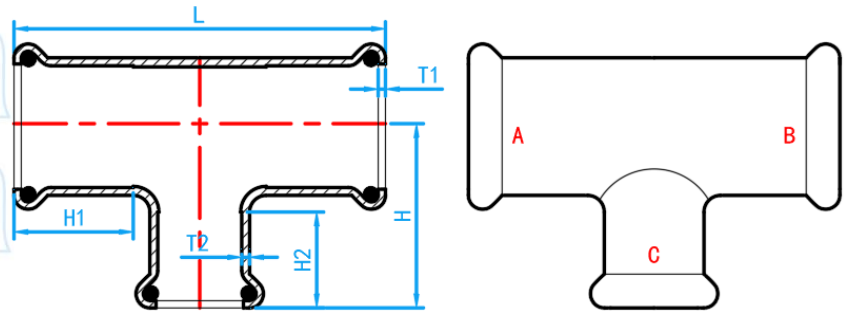


A Product of the nPressGuard® Solution

COMPLY WITH BSEN1254-2: 1998



REDUCING TEE



CROSS SECTIONAL VIEW

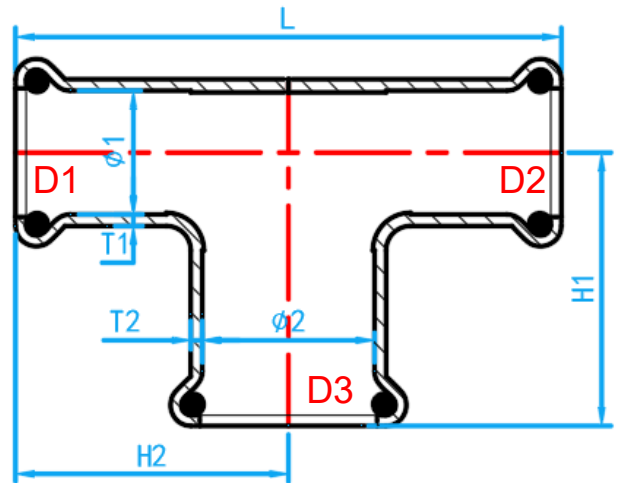
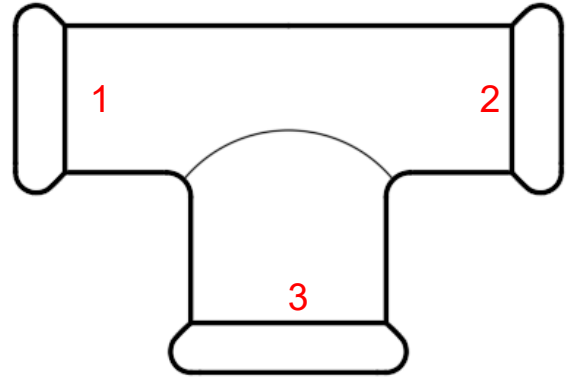
DIMENSIONS									
SKU	A×B×C (mm)	H (mm)	H1 (mm)	H2 (mm)	L (mm)	T1 (mm)	T2 (mm)	WEIGHT (Kg)	PCS/CTN
PFNRT0202015	22×22×15	38.0	21	20	65	1.5	1.5	0.097	120
PFNRT0252515	28×28×15	40.5	23	20	84	1.5	1.5	0.142	60
PFNRT0252520	28×28×22	41.0	23	21	84	1.5	1.5	0.154	60
PFNRT0353515	35×35×15	44.0	26	20	90	1.5	1.5	0.202	40
PFNRT0353520	35×35×22	45.0	26	21	90	1.5	1.5	0.220	40
PFNRT0353525	35×35×28	44.0	26	23	100	1.5	1.5	0.262	36
PFNRT0424215	42×42×15	48.0	30	20	100	1.5	1.5	0.239	32
PFNRT0424220	42×42×22	48.0	30	21	100	1.5	1.5	0.247	24
PFNRT0424225	42×42×28	49.0	30	23	112	1.5	1.5	0.362	24
PFNRT0424235	42×42×35	50.0	30	26	112	1.5	1.5	0.358	22
PFNRT0505015	54×54×15	54.0	35	20	114	1.5	1.5	0.386	18
PFNRT0505020	54×54×22	54.0	35	21	120	1.5	1.5	0.368	18
PFNRT0505025	54×54×28	55.0	35	23	120	1.5	1.5	0.457	18
PFNRT0505035	54×54×35	55.0	35	26	122	1.5	1.5	0.442	14
PFNRT0505042	54×54×42	64.0	35	30	138	1.5	1.5	0.559	12
PFNRT0656525	67×67×28	58.0	50	23	140	2.0	1.5	0.640	10
PFNRT0656535	67×67×35	61.0	50	26	148	2.0	1.5	0.707	8
PFNRT0656542	67×67×42	72.0	50	30	156	2.0	1.5	0.875	7
PFNRT0656550	67×67×54	75.0	50	35	166	2.0	1.5	0.927	6
PFNRT0808020	76×76×22	62.0	50	21	138	2.0	1.5	0.955	5
PFNRT0808025	76×76×28	65.0	50	23	148	2.0	1.5	1.035	6
PFNRT0808035	76×76×35	67.0	50	26	152	2.0	1.5	1.040	5
PFNRT0808042	76×76×42	80.0	50	30	160	2.0	1.5	1.240	5
PFNRT0808050	76×76×54	85.0	50	35	172	2.0	1.5	1.280	5
PFNRT0808065	76×76×67	89.0	50	50	182	2.0	2.0	1.385	4

COPPER PRESS FIT FITTINGS (M PROFILE)

COMPLY WITH BSEN1254-2: 1998



REDUCING TEE



CROSS SECTIONAL VIEW

DIMENSIONS

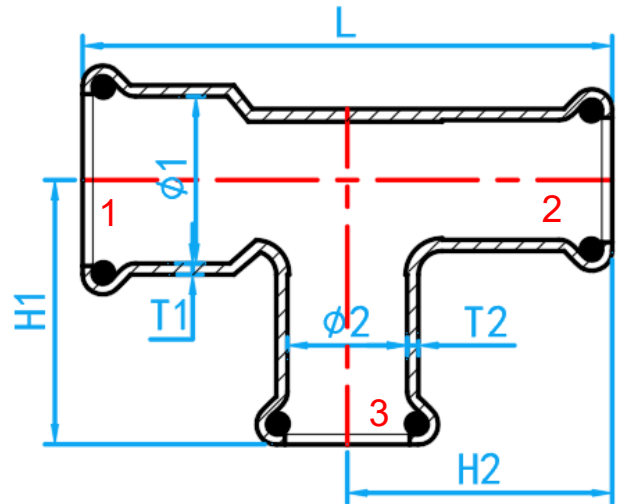
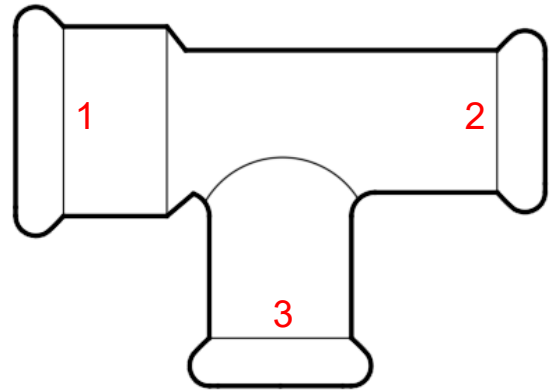
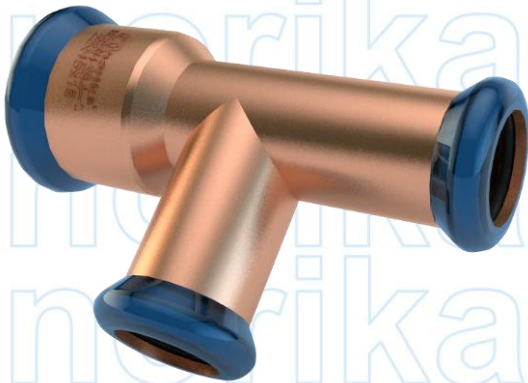
SKU	Ø1 (mm)	Ø2 (mm)	H1 (mm)	H2 (mm)	L [mm]	T1 (mm)	T2 (mm)	WEIGHT (Kg)	PCS/CTN
PFNRT0151520	15	22	35.4	14.3	74.6	1.5	1.5	0.109	100

COPPER PRESS FIT FITTINGS (M PROFILE)

COMPLY WITH BSEN1254-2: 1998



REDUCING TEE



CROSS SECTIONAL VIEW

DIMENSIONS

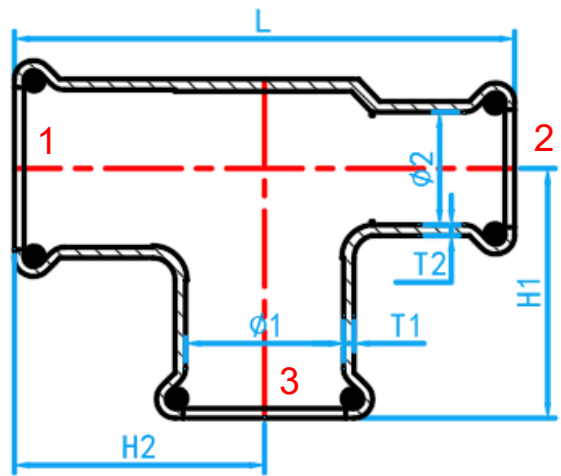
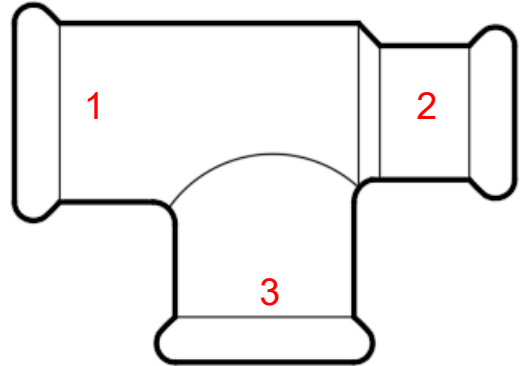
SKU	Ø1 (mm)	Ø2 (mm)	H1 (mm)	H2 (mm)	L [mm]	T1 (mm)	T2 (mm)	WEIGHT (Kg)	PCS/CTN
PFNRT0201515	15	22	38.7	32.0	80.6	1.5	1.5	0.104	100

COPPER PRESS FIT FITTINGS (M PROFILE)



COMPLY WITH BSEN1254-2: 1998

REDUCING TEE



CROSS SECTIONAL VIEW

DIMENSIONS

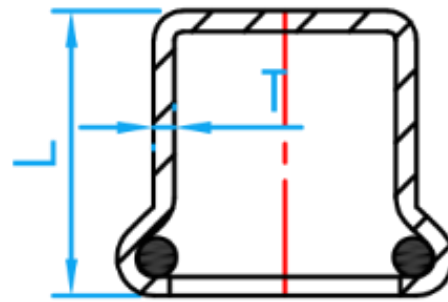
SKU	Ø1 (mm)	Ø2 (mm)	H1 (mm)	H2 (mm)	L [mm]	T1 [mm]	T2 [mm]	WEIGHT (Kg)	PCS/CTN
PFNRT0201520	22	15	38.4	37.0	83.9	1.5	1.5	0.121	100

COPPER PRESS FIT FITTINGS (M PROFILE)

COMPLY WITH BSEN1254-2: 1998



END CAP



CROSS SECTIONAL VIEW

DIMENSIONS

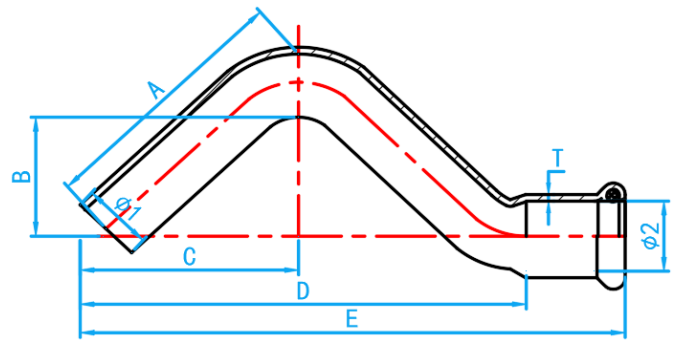
SKU	SIZE (mm)	L (mm)	T (mm)	WEIGHT (kg)	PCS/CTN
PFNEC015	15	22.5	1.5	0.019	800
PFNEC020	22	24.5	1.5	0.032	400
PFNEC025	28	27	1.5	0.046	260
PFNEC035	35	29.5	1.5	0.062	150
PFNEC042	42	34	1.5	0.087	100
PFNEC050	54	39	1.5	0.142	50
PFNEC065	67	53	2.0	0.261	30
PFNEC080	76	80	2.0	0.350	25

COPPER PRESS FIT FITTINGS (M PROFILE)



COMPLY WITH BSEN1254-2: 1998

CROSS OVER



CROSS SECTIONAL VIEW

DIMENSIONS

SKU	$\phi 1$ (mm)	$\phi 2$ (mm)	A (mm)	B (mm)	C [mm]	D [mm]	E [mm]	T [mm]	WEIGHT (Kg)	PCS/CTN
PFNCO015	15	15	56.2	25.8	43.5	92.8	114.2	1.5	0.072	150
PFNCO020	20	20	56.2	25.8	43.5	108.8	135.0	1.5	0.124	80

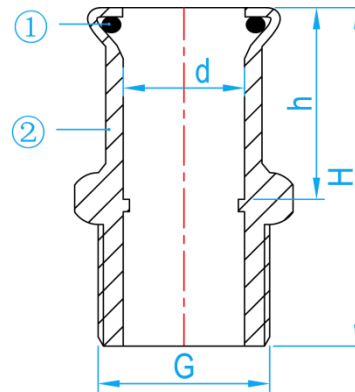
DZR BRASS PRESS FIT FITTINGS



COMPLY WITH BSEN1254-2:1998



[MI] ADAPTOR



CROSS SECTIONAL VIEW

DIMENSIONS

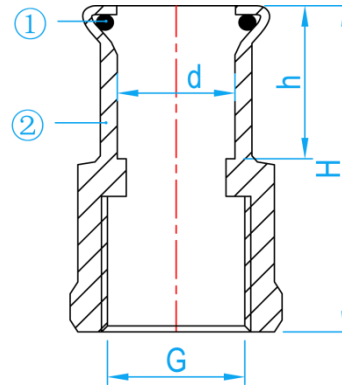
SKU	SIZE (mm)	d (mm)	h (mm)	H (mm)	G [mm]	WEIGHT (Kg)	PCS/CTN
PFNMIA015	15	15	20	43.5	½"	0.053	300
PFNMIA020	22	22	21	46	¾"	0.066	200
PFNMIA025	28	28	23	50	1"	0.104	132
PFNMIA035	35	35	26	56	1¼"	0.165	60
PFNMIA042	42	42	30	61	1½"	0.212	48
PFNMIA050	54	54	35	71	2"	0.372	30
PFNMIA065	67	67	50	85	2½"	0.638	24
PFNMIA080	76	76	55	95	3"	0.990	18

DZR BRASS PRESS FIT FITTINGS

COMPLY WITH BSEN1254-2:1998



[FI] ADAPTOR



CROSS SECTIONAL VIEW

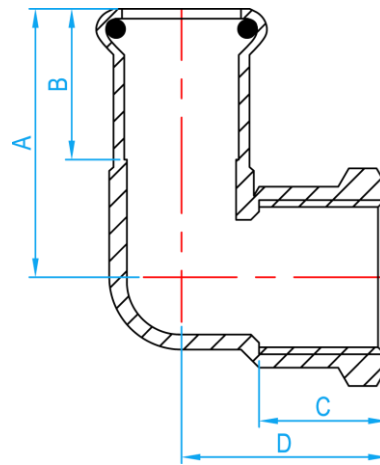
DIMENSIONS

SKU	SIZE (mm)	d (mm)	h (mm)	H (mm)	G BSP [mm]	WEIGHT (Kg)	PCS/CTN
PFNFIA015	15	15	20	39	½"	0.041	300
PFNFIA020	22	22	21	40	¾"	0.076	160
PFNFIA025	28	28	23	45	1"	0.100	132
PFNFIA035	35	35	26	47	1¼"	0.159	60
PFNFIA042	42	42	30	56	1½"	0.204	48
PFNFIA050	54	54	35	65	2"	0.358	32
PFNFIA065	67	67	50	86	2½"	0.672	20

DZR BRASS PRESS FIT FITTINGS

COMPLY WITH BSEN1254-2:1998

FI ELBOW



CROSS SECTIONAL VIEW

DIMENSIONS

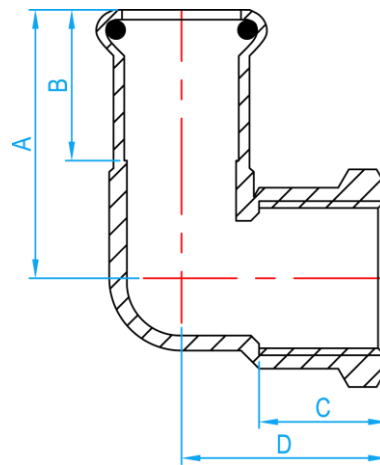
SKU	SIZE (mm)	Ø2 (mm)	A (mm)	B (mm)	C [mm]	D [mm]	WEIGHT (Kg)	PCS/CTN
PNFIE015	15.3	18.7	35.6	20.0	17.0	27.3	0.072	250

DZR BRASS PRESS FIT FITTINGS

COMPLY WITH BSEN1254-2:1998



FI ELBOW LONG



CROSS SECTIONAL VIEW

DIMENSIONS

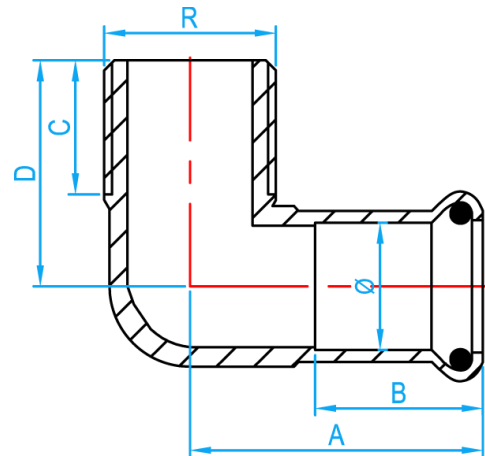
SKU	Ø1 (mm)	Ø2 (mm)	A (mm)	B (mm)	C [mm]	D [mm]	WEIGHT (Kg)	PCS/CTN
PFNFIE015L	15.4	18.6	35.6	20.0	35.9	46.2	0.101	200

DZR BRASS PRESS FIT FITTINGS

COMPLY WITH BSEN1254-2:1998



MI ELBOW



CROSS SECTIONAL VIEW

DIMENSIONS

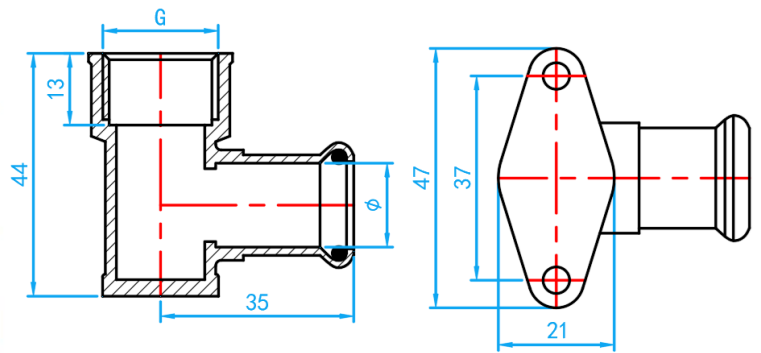
SKU	SIZE (inch)	Ø (mm)	A (mm)	B (mm)	C [mm]	D [mm]	WEIGHT (Kg)	PCS/CTN
PFNMIE015	½" BSPT	15.2	34.9	20.0	16	27	0.063	200

DZR BRASS PRESS FIT FITTINGS

COMPLY WITH BSEN1254-2:1998



FI WALLPLATE ELBOW



CROSS SECTIONAL VIEW

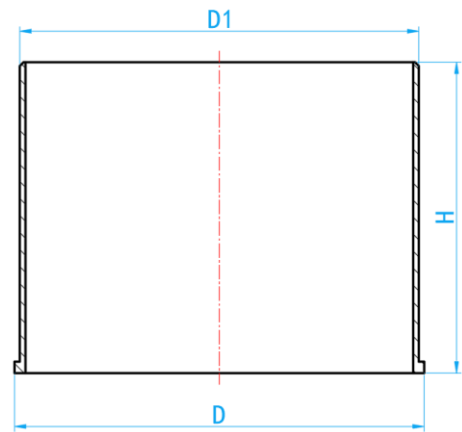
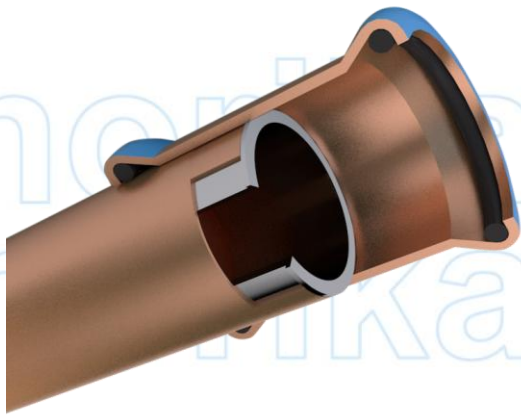
DIMENSIONS

SKU	G (inch)	ϕ (mm)	WEIGHT (Kg)	PCS/CTN
PFNFE015	1/2" BSP	15.2	0.085	240

STAINLESS STEEL AISI304 COPPER PIPE SUPPORT SLEEVE FOR PRESS FIT CLAMPING



COMPLY WITH AS/NZS 4020:2018



CROSS SECTIONAL VIEW

*Note: Protect the copper pipe end from deformation.

DIMENSIONS

SKU	SIZE (mm)	D (mm)	D1 (mm)	H (mm)	WEIGHT (Kg)	PCS/CTN
CPSSN025	28	28	26.2	27	0.021	100
CPSSN035	35	35	32.6	30	0.030	100
CPSSN042	42	42	39.8	35	0.044	100
CPSSN050	54	54	51.8	40	0.077	109
CPSSN065	67	66.7	64.4	56	0.134	89
CPSSN080	76	76	73.3	60	0.188	72
CPSSN100	108	108	105.2	82	0.321	21

Built For Water



Main Office

133 Kitchener Road
Singapore 208517

Mon-Fri: 8:00am - 5:30pm
Sat: 8:00am - 1:00pm
Sun & PH: Closed

North Office

10 Admiralty Street, North
Link Building #02-45
Singapore 757695

Mon-Fri: 8:00am - 5:00pm
Sat: 8:00am - 1:00pm
Sun & PH: Closed