

A Product of the nPressGuard® Solution

NORIKA STAINLESS STEEL 316L PRESS FIT FITTINGS (M-PROFILE)





PRODUCT LISTING SCHEME

Certificate Number : STL-COC-Z0077
Issue No : 01

This Certificate is awarded to the following product(s) which has / have complied with the requirements of the listed standard(s).

Applicant : **Liang Chew Hardware Pte Ltd**
 133 Kitchener Road
 Singapore 208517

Product : Stainless Steel 316L Pipes

Brand / Model : Norika / PIPSS316N

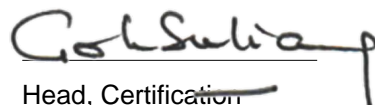
Detail : Sizes (mm): 15, 22, 28, 35, 42, 54, 67, 80, & 100

Test Standard(s) : BS EN 10312: 2002, ASTM E 1086-2014, BS EN 10088-2: 2014, AS/NZS 4020: 2005

Product conformity Certificates are awarded on the basis of an assessment of the following type-test report(s):

2625262-KGT, 2323070-LCH, 2221967/02-CPC, 1920519/01-OYC, 1920519/03-CPC

Date of Original Issue : 06 February 2026
Date of Last Revision : NA
Date of Expiry : 05 February 2028


 Head, Certification
 Singapore Test Lab Pte Ltd

Page 1 of 1

This Certificate is part of a full report and should be read in conjunction with it. This Certificate remains the property of Singapore Test Lab Pte Ltd and shall be returned upon request. The use of this Certificate is subjected to the Terms and Conditions of Singapore Test Lab Pte Ltd. The manufacturer is solely responsible for the compliance of any product that has the same designation as the product type-tested.



Singapore Test Lab Pte Ltd certifies according to ISO / IEC 17065





PRODUCT LISTING SCHEME

Certificate Number : STL-COC-Z0076
Issue No : 01

This Certificate is awarded to the following product(s) which has / have complied with the requirements of the listed standard(s).

Applicant : **Liang Chew Hardware Pte Ltd**
 133 Kitchener Road
 Singapore 208517

Product : Stainless Steel 316L Press Fit Fittings

Brand / Model : Norika / SS316LPFN

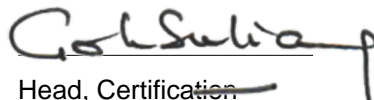
Detail : Sizes (mm): 15, 22, 28, 35, 42, 54, 67, 80 & 100

Test Standard(s) : BS EN 1254-2: 1998, AS 3688: 2006, SS 375: 2015, AS/NZS 4020: 2005, SS 270: 2015, ASTM E1086-2014

Product conformity Certificates are awarded on the basis of an assessment of the following type-test report(s):

2625260-KGT, 2323069-LCH, 1920519/02-OYC, FB8500287176, 1920519/03-CPC, 2221990-OYC, 1920519/04-CPC

Date of Original Issue : 06 February 2026
Date of Last Revision : NA
Date of Expiry : 05 February 2028


 Head, Certification
 Singapore Test Lab Pte Ltd

Page 1 of 1

This Certificate is part of a full report and should be read in conjunction with it. This Certificate remains the property of Singapore Test Lab Pte Ltd and shall be returned upon request. The use of this Certificate is subjected to the Terms and Conditions of Singapore Test Lab Pte Ltd. The manufacturer is solely responsible for the compliance of any product that has the same designation as the product type-tested.



Singapore Test Lab Pte Ltd certifies according to ISO / IEC 17065

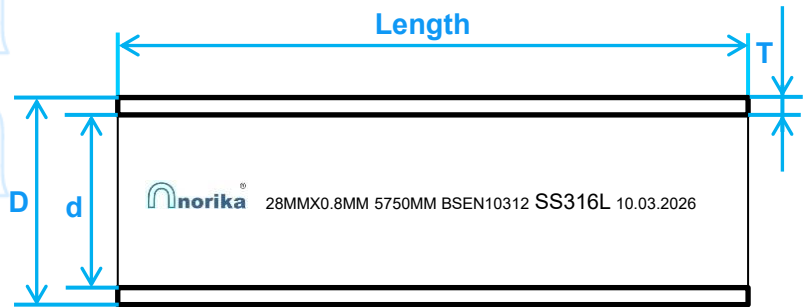
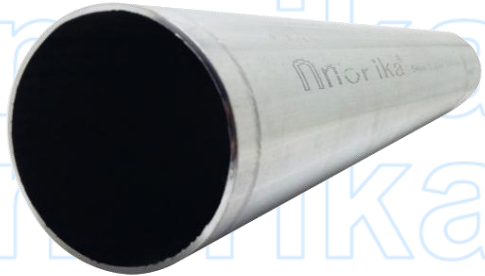


STAINLESS STEEL 316L PIPE WITH POLISHED FINISHING

COMPLY WITH BSEN10312:2002



A Product of the nPressGuard® Solution

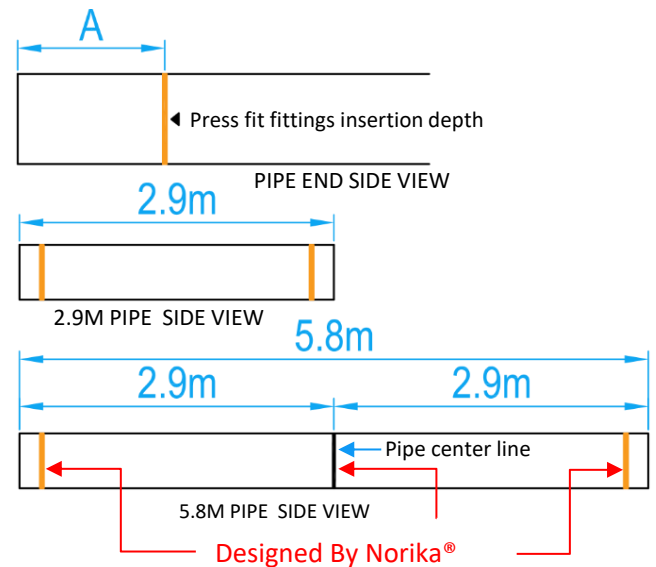


CROSS SECTION VIEW

* Polished finishing for improved appearance, enhanced rust resistance, easier cleaning, and longer service life.

STANDARD SPECIFICATIONS

| | |
|---------------------|------------------------------|
| Working Pressure | 25 Bar 362 PSI |
| Working Temperature | 0 ~ 85°C |
| Standard Length | 5.8 meters |
| Material | Stainless steel 316L |
| Melting Point | 1375-1400°C (2507-2552°F) |
| Surface Finish | Polished |



DIMENSIONS

| SKU | DN | D (mm) | d (mm) | T (mm) | Insertion Depth A (mm) | L (mm) | WEIGHT (kg) | 2.9m PIPE | | |
|--------------|-----|---------------|--------|--------|------------------------|--------|-------------|-------------------|--------|-------------|
| | | | | | | | | SKU | L (mm) | WEIGHT (kg) |
| PIPSS316L015 | 15 | 15.06-15.15 | 13.8 | 0.6 | 20 | 5800 | 1.250 | PIPSS316L015-2.9M | 2900 | 0.624 |
| PIPSS316L020 | 22 | 22.07-22.18 | 20.6 | 0.7 | 21 | 5800 | 2.420 | PIPSS316L020-2.9M | 2900 | 1.106 |
| PIPSS316L025 | 28 | 28.07-28.18 | 26.4 | 0.8 | 22 | 5800 | 3.110 | PIPSS316L025-2.9M | 2900 | 1.418 |
| PIPSS316L035 | 35 | 35.09-35.23 | 33.0 | 1.0 | 26 | 5800 | 4.990 | PIPSS316L035-2.9M | 2900 | 2.265 |
| PIPSS316L042 | 42 | 42.09-42.23 | 39.8 | 1.1 | 30 | 5800 | 6.430 | PIPSS316L042-2.9M | 2900 | 3.393 |
| PIPSS316L050 | 54 | 54.09-54.23 | 51.6 | 1.2 | 35 | 5800 | 9.010 | PIPSS316L050-2.9M | 2900 | 4.390 |
| PIPSS316L065 | 67 | 66.80-67.03 | 64.6 | 1.2 | 50 | 5800 | 11.16 | PIPSS316L065-2.9M | 2900 | 5.635 |
| PIPSS316L080 | 76 | 76.20-76.43 | 73.0 | 1.5 | 51 | 5800 | 15.93 | PIPSS316L080-2.9M | 2900 | 8.300 |
| PIPSS316L100 | 108 | 108.10-108.33 | 105.0 | 1.5 | 75 | 5800 | 22.66 | PIPSS316L100-2.9M | 2900 | 11.900 |

NOTE:

1. Wall thickness tolerance standard is $\pm 10\%$.
2. The 5.8m length pipes comes with a pre-cut length of 2.9m (as shown above).

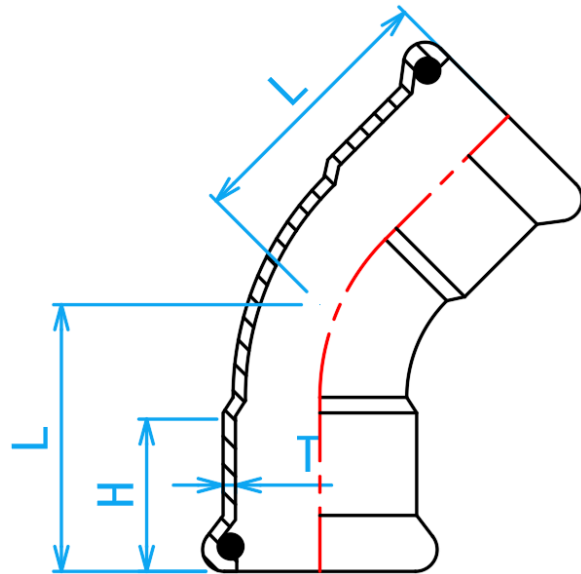
STAINLESS STEEL 316L PRESS FIT FITTINGS (M PROFILE)

COMPLY WITH BSEN1254-2: 1998

45° ELBOW



A Product of the nPressGuard® Solution



CROSS SECTIONAL VIEW

STANDARD SPECIFICATION

| | |
|---------------------|------------------------------------|
| Working Pressure | 16 Bar |
| Working Temperature | 0 ~ 85°C |
| Applications | Hot and cold potable water system. |

DIMENSIONS

| SKU | SIZE (mm) | L (mm) | H (mm) | T (mm) | WEIGHT (kg) | PCS/CTN |
|-----------------|-----------|--------|--------|--------|-------------|---------|
| SS316LPFNE45015 | 15 | 31 | 20 | 1.5 | 0.037 | 400 |
| SS316LPFNE45020 | 22 | 33 | 21 | 1.5 | 0.065 | 160 |
| SS316LPFNE45025 | 28 | 40 | 23 | 1.5 | 0.090 | 120 |
| SS316LPFNE45035 | 35 | 45 | 26 | 1.5 | 0.125 | 140 |
| SS316LPFNE45042 | 42 | 54 | 31 | 1.5 | 0.217 | 80 |
| SS316LPFNE45050 | 54 | 65 | 36 | 1.5 | 0.268 | 48 |
| SS316LPFNE45065 | 65 | 93 | 50 | 1.8 | 0.604 | 18 |
| SS316LPFNE45080 | 76 | 98 | 51 | 2.0 | 0.812 | 12 |
| SS316LPFNE45100 | 108 | 133 | 75 | 2.0 | 1.615 | 4 |

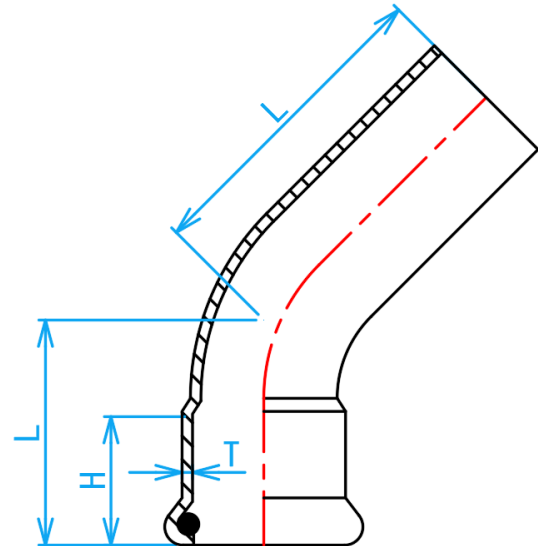
STAINLESS STEEL 316L PRESS FIT FITTINGS (M PROFILE)

COMPLY WITH BSEN1254-2: 1998

MXF 45° ELBOW



A Product of the nPressGuard® Solution



STANDARD SPECIFICATION

| | |
|---------------------|------------------------------------|
| Working Pressure | 16 Bar |
| Working Temperature | 0 ~ 85°C |
| Applications | Hot and cold potable water system. |

CROSS SECTIONAL VIEW

DIMENSIONS

| SKU | SIZE (mm) | L (mm) | L1 (mm) | H (mm) | T (mm) | WEIGHT (kg) | PCS/CTN |
|-------------------|-----------|--------|---------|--------|--------|-------------|---------|
| SS316LPFNE45015MF | 15 | 35 | 31 | 20 | 1.5 | 0.036 | 360 |
| SS316LPFNE45020MF | 22 | 36 | 37 | 21 | 1.5 | 0.060 | 200 |
| SS316LPFNE45025MF | 28 | 42 | 38 | 23 | 1.5 | 0.109 | 120 |
| SS316LPFNE45035MF | 35 | 53 | 45 | 26 | 1.5 | 0.148 | 150 |
| SS316LPFNE45042MF | 42 | 61 | 54 | 31 | 1.5 | 0.180 | 60 |
| SS316LPFNE45050MF | 54 | 73 | 63 | 36 | 1.5 | 0.270 | 48 |
| SS316LPFNE45065MF | 67 | 106 | 93 | 50 | 1.8 | 0.600 | 15 |
| SS316LPFNE45080MF | 76 | 120 | 97 | 51 | 2.0 | 0.837 | 12 |
| SS316LPFNE45100MF | 108 | 164 | 130 | 75 | 2.0 | 1.600 | 4 |

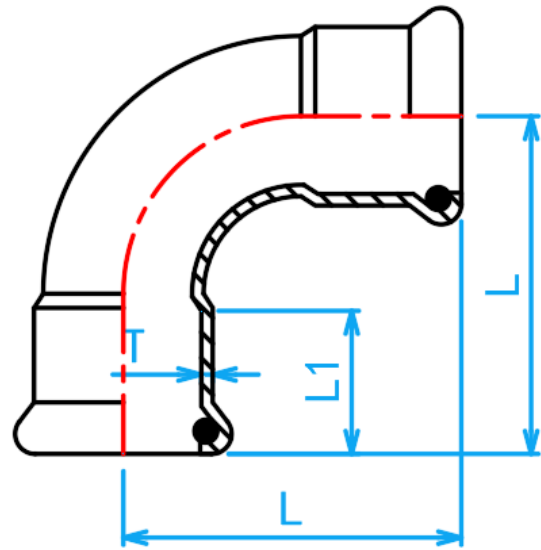
STAINLESS STEEL 316L PRESS FIT FITTINGS (M PROFILE)

COMPLY WITH BSEN1254-2: 1998

90° ELBOW



A Product of the nPressGuard® Solution



CROSS SECTIONAL VIEW

STANDARD SPECIFICATION

| | |
|---------------------|------------------------------------|
| Working Pressure | 16 Bar |
| Working Temperature | 0 ~ 85°C |
| Applications | Hot and cold potable water system. |

DIMENSIONS

| SKU | SIZE (mm) | L (mm) | L1 (mm) | T (mm) | WEIGHT (kg) | PCS/CTN |
|-----------------|-----------|--------|---------|--------|-------------|---------|
| SS316LPFNE90015 | 15 | 42 | 20 | 1.5 | 0.045 | 300 |
| SS316LPFNE90020 | 22 | 51 | 21 | 1.5 | 0.077 | 150 |
| SS316LPFNE90025 | 28 | 60 | 23 | 1.5 | 0.124 | 150 |
| SS316LPFNE90035 | 35 | 72 | 26 | 1.5 | 0.165 | 100 |
| SS316LPFNE90042 | 42 | 85 | 31 | 1.5 | 0.239 | 60 |
| SS316LPFNE90050 | 54 | 105 | 36 | 1.5 | 0.375 | 32 |
| SS316LPFNE90065 | 67 | 143 | 50 | 1.8 | 0.825 | 13 |
| SS316LPFNE90080 | 76 | 150 | 51 | 2.0 | 0.990 | 12 |
| SS316LPFNE90100 | 108 | 221 | 75 | 2.0 | 2.110 | 4 |

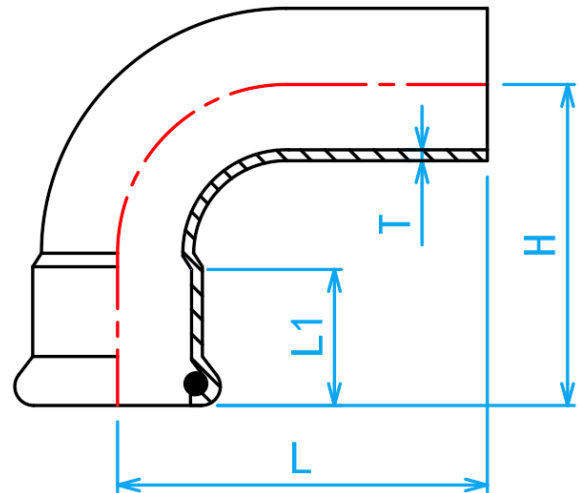
STAINLESS STEEL 316L PRESS FIT FITTINGS (M PROFILE)

COMPLY WITH BSEN1254-2: 1998

MXF 90° ELBOW



A Product of the nPressGuard® Solution



CROSS SECTIONAL VIEW

STANDARD SPECIFICATION

| | |
|---------------------|------------------------------------|
| Working Pressure | 16 Bar |
| Working Temperature | 0 ~ 85°C |
| Applications | Hot and cold potable water system. |

DIMENSIONS

| SKU | SIZE (mm) | L (mm) | L1 (mm) | H (mm) | T (mm) | WEIGHT (kg) | PCS/CTN |
|-------------------|-----------|--------|---------|--------|--------|-------------|---------|
| SS316LPFNE90015MF | 15 | 42 | 20 | 44 | 1.5 | 0.042 | 360 |
| SS316LPFNE90020MF | 22 | 51 | 21 | 55 | 1.5 | 0.093 | 150 |
| SS316LPFNE90025MF | 28 | 60 | 23 | 68 | 1.5 | 0.131 | 160 |
| SS316LPFNE90035MF | 35 | 72 | 26 | 89 | 1.5 | 0.212 | 100 |
| SS316LPFNE90042MF | 42 | 85 | 31 | 95 | 1.5 | 0.268 | 60 |
| SS316LPFNE90050MF | 54 | 105 | 36 | 113 | 1.5 | 0.415 | 30 |
| SS316LPFNE90065MF | 67 | 140 | 50 | 150 | 1.8 | 0.800 | 15 |
| SS316LPFNE90080MF | 76 | 150 | 51 | 182 | 2.0 | 1.026 | 12 |
| SS316LPFNE90100MF | 108 | 221 | 75 | 238 | 2.0 | 2.206 | 4 |

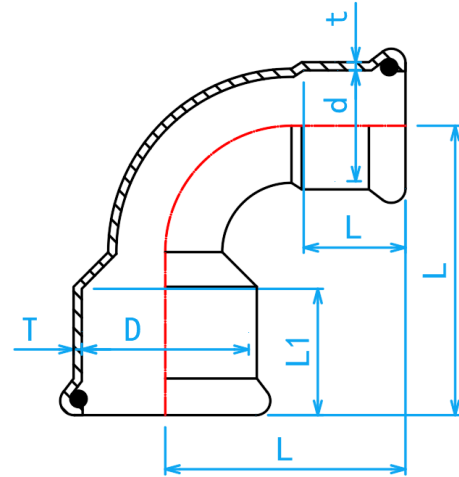
STAINLESS STEEL 316L PRESSFIT FITTINGS (M PROFILE)

COMPLY WITH BSEN1254-2: 1998

REDUCER 90° ELBOW



A Product of the nPressGuard® Solution



CROSS SECTIONAL VIEW

STANDARD SPECIFICATION

| | |
|---------------------|------------------------------------|
| Working Pressure | 16 Bar |
| Working Temperature | 0 ~ 85°C |
| Applications | Hot and cold potable water system. |

DIMENSIONS

| SKU | SIZE (mm) | H (mm) | L (mm) | h (mm) | h1 (mm) | T (mm) | t (mm) | WEIGHT (kg) | PCS/CTN |
|---------------------|-----------|--------|--------|--------|---------|--------|--------|-------------|---------|
| SS316LPFNRE9002015 | 22x15 | 52 | 43 | 21 | 20 | 1.5 | 1.5 | 0.065 | 160 |
| SS316LPFNRE9002515 | 28x15 | 60 | 43 | 23 | 20 | 1.5 | 1.5 | 0.075 | 140 |
| SS316LPFNRE9002520 | 28x22 | 62 | 50 | 23 | 21 | 1.5 | 1.5 | 0.095 | 160 |
| SS316LPFNRE9003515 | 35x15 | 63 | 43 | 26 | 20 | 1.5 | 1.5 | 0.100 | 100 |
| SS316LPFNRE9003520 | 35x22 | 70 | 50 | 26 | 21 | 1.5 | 1.5 | 0.115 | 80 |
| SS316LPFNRE9003525 | 35x28 | 76 | 60 | 26 | 23 | 1.5 | 1.5 | 0.135 | 70 |
| SS316LPFNRE9004215 | 42x15 | 72 | 43 | 31 | 20 | 1.5 | 1.5 | 0.125 | 60 |
| SS316LPFNRE9004220 | 42x22 | 73 | 50 | 31 | 21 | 1.5 | 1.5 | 0.145 | 60 |
| SS316LPFNRE9004225 | 42x28 | 84 | 60 | 31 | 23 | 1.5 | 1.5 | 0.165 | 60 |
| SS316LPFNRE9004235* | 42x35 | 87 | 72 | 31 | 26 | 1.5 | 1.5 | 0.200 | 60 |
| SS316LPFNRE9005015 | 54x15 | 82 | 43 | 36 | 20 | 1.5 | 1.5 | 0.170 | 56 |
| SS316LPFNRE9005020 | 54x22 | 87 | 50 | 36 | 21 | 1.5 | 1.5 | 0.186 | 56 |
| SS316LPFNRE9005025 | 54x28 | 93 | 60 | 36 | 23 | 1.5 | 1.5 | 0.215 | 56 |
| SS316LPFNRE9005035 | 54x35 | 97 | 72 | 36 | 26 | 1.5 | 1.5 | 0.245 | 30 |
| SS316LPFNRE9005042 | 54x42 | 105 | 85 | 36 | 31 | 1.5 | 1.5 | 0.298 | 30 |
| SS316LPFNRE9006525 | 67x28 | 115 | 60 | 50 | 23 | 1.8 | 1.5 | 0.354 | 15 |
| SS316LPFNRE9006535 | 67x35 | 118 | 72 | 50 | 26 | 1.8 | 1.5 | 0.394 | 15 |
| SS316LPFNRE9006542 | 67x42 | 84 | 85 | 50 | 31 | 1.8 | 1.5 | 0.428 | 15 |
| SS316LPFNRE9006550 | 67x54 | 108 | 105 | 50 | 36 | 1.8 | 1.5 | 0.523 | 15 |

*This item requires special ordering. Please consult with a salesperson for the estimated lead time.

STAINLESS STEEL 316L

PRESS FIT FITTINGS

(M PROFILE)

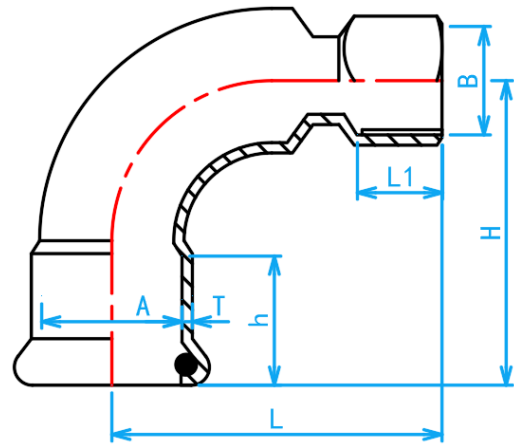


A Product of the nPressGuard® Solution



COMPLY WITH BSEN1254-2: 1998

FI 90° ELBOW



CROSS SECTIONAL VIEW

STANDARD SPECIFICATION

| | |
|---------------------|------------------------------------|
| Working Pressure | 16 Bar |
| Working Temperature | 0 ~ 85°C |
| Applications | Hot and cold potable water system. |

DIMENSIONS

| SKU | A × B (mm × inch) | L (mm) | H (mm) | h (mm) | L1 (mm) | T (mm) | WEIGHT (kg) | PCS/CTN |
|-----------------|----------------------|-----------|-----------|-----------|------------|-----------|----------------|---------|
| SS316LFIE01515 | 15 × 1/2" BSP | 43 | 43 | 20 | 15.5 | 1.5 | 0.060 | 300 |
| SS316LFIE02015 | 22 × 1/2" BSP | 43 | 50 | 21 | 15.5 | 1.5 | 0.078 | 160 |
| SS316LFIE02020 | 22 × 3/4" BSP | 48 | 50 | 21 | 16.0 | 1.5 | 0.090 | 160 |
| SS316LFIE02515* | 28 × 1/2" BSP | 68 | 60 | 23 | 15.5 | 1.5 | 0.115 | 160 |
| SS316LFIE02520* | 28 × 3/4" BSP | 55 | 60 | 23 | 16.0 | 1.5 | 0.128 | 80 |
| SS316LFIE02525 | 28 × 1" BSP | 62 | 60 | 23 | 20.0 | 1.5 | 0.146 | 70 |
| SS316LFIE03515 | 35 × 1/2" BSP | 76 | 72 | 26 | 15.5 | 1.5 | 0.165 | 60 |
| SS316LFIE03520* | 35 × 3/4" BSP | 76 | 72 | 26 | 16.0 | 1.5 | 0.170 | 60 |
| SS316LFIE03525 | 35 × 1" BSP | 65 | 72 | 26 | 20.0 | 1.5 | 0.195 | 60 |
| SS316LFIE03525L | 35 × 1" BSP | 80 | 90 | 26 | 20.0 | 1.5 | 0.230 | 40 |
| SS316LFIE03535 | 35 × 1 1/4" BSP | 68 | 72 | 26 | 22.0 | 1.5 | 0.235 | 80 |
| SS316LFIE04215* | 42 × 1/2" BSP | 86 | 85 | 31 | 15.5 | 1.5 | 0.165 | 30 |
| SS316LFIE04220* | 42 × 3/4" BSP | 83 | 85 | 31 | 16.0 | 1.5 | 0.233 | 30 |
| SS316LFIE04225* | 42 × 1" BSP | 90 | 85 | 31 | 20.0 | 1.5 | 0.260 | 30 |
| SS316LFIE04235* | 42 × 1 1/4" BSP | 98 | 85 | 31 | 22.0 | 1.5 | 0.278 | 30 |
| SS316LFIE04242 | 42 × 1 1/2" BSP | 80 | 85 | 31 | 25.0 | 1.5 | 0.300 | 30 |
| SS316LFIE05015* | 54 × 1/2" BSP | 97 | 105 | 35 | 15.5 | 1.5 | 0.337 | 21 |
| SS316LFIE05020* | 54 × 3/4" BSP | 100 | 105 | 35 | 20.0 | 1.5 | 0.345 | 25 |
| SS316LFIE05025* | 54 × 1" BSP | 102 | 105 | 35 | 22.0 | 1.5 | 0.378 | 25 |
| SS316LFIE05035 | 54 × 1 1/4" BSP | 106 | 105 | 35 | 24.0 | 1.5 | 0.403 | 25 |
| SS316LFIE05042* | 54 × 1 1/2" BSP | 100 | 105 | 35 | 25.0 | 1.5 | 0.396 | 25 |
| SS316LFIE05050 | 54 × 2" BSP | 93 | 105 | 36 | 25.0 | 1.5 | 0.460 | 30 |
| SS316LFIE06565 | 67 × 2 1/2" BSP | 133 | 143 | 50 | 28.0 | 1.8 | 0.970 | 15 |

*This item requires special ordering. Please consult with a salesperson for the estimated lead time.

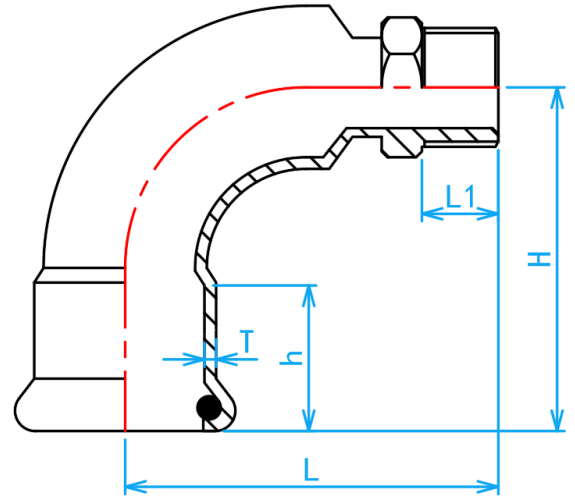
STAINLESS STEEL 316L PRESS FIT FITTINGS (M PROFILE)

COMPLY WITH BSEN1254-2: 1998

MI 90° ELBOW



A Product of the nPressGuard® Solution



CROSS SECTIONAL VIEW

STANDARD SPECIFICATION

| | |
|---------------------|------------------------------------|
| Working Pressure | 16 Bar |
| Working Temperature | 0 ~ 85°C |
| Applications | Hot and cold potable water system. |

DIMENSIONS

| SKU | SIZE (mm × inch) | H (mm) | L (mm) | h (mm) | L1 (mm) | T (mm) | WEIGHT (kg) | PCS/CTN |
|--------------------|---------------------|-----------|-----------|-----------|------------|-----------|----------------|---------|
| SS316LPFNMIE01515 | 15 × 1/2" BSPT | 43.0 | 42.0 | 20 | 15 | 1.5 | 0.060 | 300 |
| SS316LPFNMIE02015 | 22 × 1/2" BSPT | 50.0 | 46.0 | 21 | 15 | 1.5 | 0.080 | 200 |
| SS316LPFNMIE02020 | 22 × 3/4" BSPT | 50.0 | 50.0 | 21 | 16 | 1.5 | 0.092 | 160 |
| SS316LPFNMIE02515 | 28 × 1/2" BSPT | 60.0 | 68.0 | 23 | 19 | 1.5 | 0.120 | 100 |
| SS316LPFNMIE02525 | 28 × 1" BSPT | 60.0 | 68.0 | 23 | 19 | 1.5 | 0.145 | 70 |
| SS316LPFNMIE03515* | 35 × 1/2" BSPT | 72.0 | 78.0 | 26 | 15 | 1.5 | 0.162 | 50 |
| SS316LPFNMIE03525* | 35 × 1" BSPT | 72.0 | 73.0 | 26 | 19 | 1.5 | 0.180 | 50 |
| SS316LPFNMIE03535 | 35 × 11/4" BSPT | 72.0 | 74.0 | 26 | 21 | 1.5 | 0.225 | 55 |
| SS316LPFNMIE04225* | 42 × 1" BSPT | 85.0 | 93.0 | 26 | 19 | 1.5 | 0.255 | 50 |
| SS316LPFNMIE04242 | 42 × 11/2" BSPT | 85.0 | 84.0 | 31 | 21 | 1.5 | 0.300 | 33 |
| SS316LPFNMIE05025 | 54 × 1" BSPT | 105.0 | 112.0 | 36 | 19 | 1.5 | 0.365 | 40 |
| SS316LPFNMIE05050 | 54 × 2" BSPT | 105.0 | 105.0 | 36 | 26 | 1.5 | 0.485 | 21 |
| SS316LPFNMIE06565 | 67 × 21/2" BSPT | 143.0 | 131.5 | 50 | 26 | 1.8 | 0.970 | 12 |

*This item requires special ordering. Please consult with a salesperson for the estimated lead time.

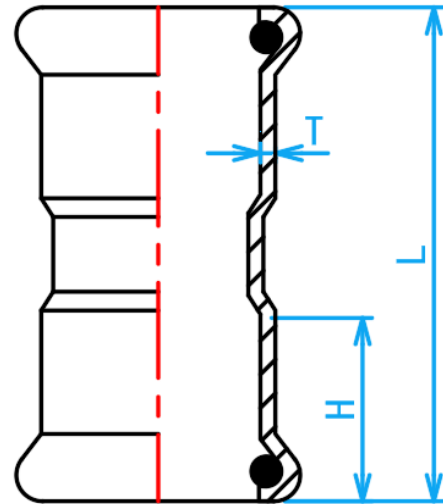
STAINLESS STEEL 316L PRESS FIT FITTINGS (M PROFILE)

COMPLY WITH BSEN1254-2: 1998

EQUAL SOCKET



A Product of the nPressGuard® Solution



CROSS SECTIONAL VIEW

STANDARD SPECIFICATION

| | |
|---------------------|------------------------------------|
| Working Pressure | 16 Bar |
| Working Temperature | 0 ~ 85°C |
| Applications | Hot and cold potable water system. |

DIMENSIONS

| SKU | SIZE (mm) | L (mm) | H (mm) | T (mm) | WEIGHT (kg) | PCS/CTN |
|----------------|-----------|--------|--------|--------|-------------|---------|
| SS316LPFNES015 | 15 | 53 | 20 | 1.5 | 0.036 | 420 |
| SS316LPFNES020 | 22 | 55 | 21 | 1.5 | 0.056 | 200 |
| SS316LPFNES025 | 28 | 59 | 23 | 1.5 | 0.074 | 140 |
| SS316LPFNES035 | 35 | 65 | 26 | 1.5 | 0.099 | 160 |
| SS316LPFNES042 | 42 | 76 | 31 | 1.5 | 0.144 | 120 |
| SS316LPFNES050 | 54 | 88 | 36 | 1.5 | 0.209 | 74 |
| SS316LPFNES065 | 67 | 124 | 50 | 1.8 | 0.416 | 33 |
| SS316LPFNES080 | 76 | 134 | 51 | 2.0 | 0.520 | 20 |
| SS316LPFNES100 | 108 | 182 | 75 | 2.0 | 1.130 | 6 |

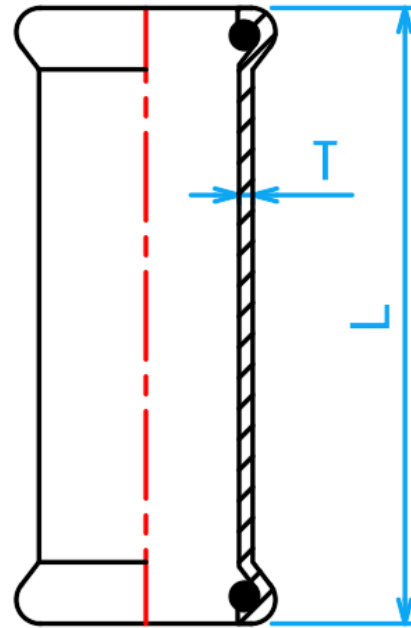
STAINLESS STEEL 316L PRESS FIT FITTINGS (M PROFILE)

COMPLY WITH BSEN1254-2: 1998

LONG EQUAL SOCKET



A Product of the nPressGuard® Solution



CROSS SECTIONAL VIEW

STANDARD SPECIFICATION

| | |
|---------------------|------------------------------------|
| Working Pressure | 16 Bar |
| Working Temperature | 0 ~ 85°C |
| Applications | Hot and cold potable water system. |

DIMENSIONS

| SKU | SIZE (mm) | L (mm) | T (mm) | WEIGHT (kg) | PCS/CTN |
|-----------------|-----------|--------|--------|-------------|---------|
| SS316LPFNES015L | 15 | 80 | 1.5 | 0.053 | 250 |
| SS316LPFNES020L | 22 | 85 | 1.5 | 0.086 | 120 |
| SS316LPFNES025L | 28 | 95 | 1.5 | 0.120 | 100 |
| SS316LPFNES035L | 35 | 105 | 1.5 | 0.150 | 60 |
| SS316LPFNES042L | 42 | 120 | 1.5 | 0.250 | 70 |
| S316SLPFNES050L | 54 | 135 | 1.5 | 0.290 | 40 |
| SS316LPFNES065L | 67 | 200 | 1.8 | 0.690 | 20 |
| SS316LPFNES080L | 76 | 225 | 2.0 | 0.900 | 15 |
| SS316PFNES0100L | 108 | 315 | 2.0 | 1.860 | 4 |

STAINLESS STEEL 316L

PRESS FIT FITTINGS

(M PROFILE)

COMPLY WITH BSEN1254-2: 1998

REDUCEING SOCKET



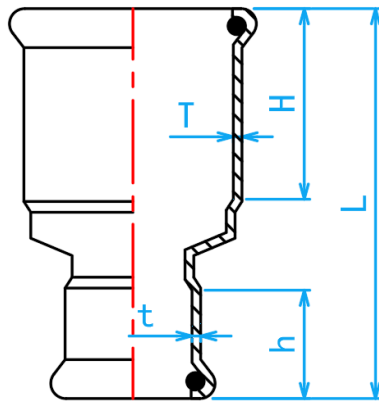
A Product of the nPressGuard® Solution



STANDARD SPECIFICATION

| | |
|---------------------|------------------------------------|
| Working Pressure | 16 Bar |
| Working Temperature | 0 ~ 85°C |
| Applications | Hot and cold potable water system. |

DIMENSIONS



CROSS SECTIONAL VIEW

| SKU | SIZE (mm) | L (mm) | H (mm) | h (mm) | T (mm) | t (mm) | WEIGHT (kg) | PCS/CT N |
|------------------|-----------|--------|--------|--------|--------|--------|-------------|----------|
| SS316LPFNRS02015 | 22×15 | 63 | 21 | 20 | 1.5 | 1.5 | 0.054 | 200 |
| SS316LPFNRS02515 | 28×15 | 68 | 23 | 20 | 1.5 | 1.5 | 0.068 | 160 |
| SS316LPFNRS02520 | 28×22 | 65 | 23 | 21 | 1.5 | 1.5 | 0.075 | 130 |
| SS316LPFNRS03515 | 35×15 | 73 | 26 | 20 | 1.5 | 1.5 | 0.087 | 160 |
| SS316LPFNRS03520 | 35×22 | 73 | 26 | 21 | 1.5 | 1.5 | 0.083 | 120 |
| SS316LPFNRS03525 | 35×28 | 74 | 26 | 23 | 1.5 | 1.5 | 0.097 | 80 |
| SS316LPFNRS04215 | 42×15 | 83 | 31 | 20 | 1.5 | 1.5 | 0.110 | 120 |
| SS316LPFNRS04220 | 42×22 | 80 | 31 | 21 | 1.5 | 1.5 | 0.122 | 130 |
| SS316LPFNRS04225 | 42×28 | 80 | 31 | 23 | 1.5 | 1.5 | 0.125 | 100 |
| SS316LPFNRS04235 | 42×35 | 82 | 31 | 26 | 1.5 | 1.5 | 0.133 | 70 |
| SS316LPFNRS05015 | 54×15 | 93 | 36 | 20 | 1.5 | 1.5 | 0.166 | 70 |
| SS316LPFNRS05020 | 54×22 | 92 | 36 | 21 | 1.5 | 1.5 | 0.162 | 70 |
| SS316LPFNRS05025 | 54×28 | 93 | 36 | 23 | 1.5 | 1.5 | 0.175 | 100 |
| SS316LPFNRS05035 | 54×35 | 94 | 36 | 26 | 1.5 | 1.5 | 0.180 | 70 |
| SS316LPFNRS05042 | 54×42 | 94 | 36 | 31 | 1.5 | 1.5 | 0.207 | 70 |
| SS316LPFNRS06515 | 67×15 | 114 | 50 | 20 | 1.8 | 1.5 | 0.300 | 25 |
| SS316LPFNRS06520 | 67×22 | 114 | 50 | 21 | 1.8 | 1.5 | 0.310 | 25 |
| SS316LPFNRS06525 | 67×28 | 116 | 50 | 23 | 1.8 | 1.5 | 0.300 | 25 |
| SS316LPFNRS06535 | 67×35 | 115 | 50 | 26 | 1.8 | 1.5 | 0.310 | 25 |
| SS316LPFNRS06542 | 67×42 | 117 | 50 | 31 | 1.8 | 1.5 | 0.320 | 25 |
| SS316LPFNRS06550 | 67×54 | 119 | 50 | 36 | 1.8 | 1.5 | 0.347 | 36 |
| SS316LPFNRS08025 | 76×28 | 120 | 51 | 23 | 2.0 | 1.5 | 0.380 | 20 |
| SS316LPFNRS08035 | 76×35 | 123 | 51 | 26 | 2.0 | 1.5 | 0.400 | 20 |
| SS316LPFNRS08042 | 76×42 | 128 | 51 | 31 | 2.0 | 1.5 | 0.435 | 20 |
| SS316LPFNRS08050 | 76×54 | 129 | 51 | 36 | 2.0 | 1.5 | 0.430 | 36 |
| SS316LPFNRS08065 | 76×67 | 141 | 51 | 50 | 2.0 | 1.8 | 0.520 | 20 |
| SS316LPFNRS10042 | 108×42 | 158 | 75 | 31 | 2.0 | 1.5 | 0.790 | 12 |
| SS316LPFNRS10050 | 108×54 | 162 | 75 | 36 | 2.0 | 1.5 | 0.810 | 12 |
| SS316LPFNRS10065 | 108×67 | 180 | 75 | 50 | 2.0 | 1.8 | 0.905 | 12 |
| SS316LPFNRS10080 | 108×76 | 180 | 75 | 51 | 2.0 | 2.0 | 0.942 | 12 |

STAINLESS STEEL 316L

PRESS FIT FITTINGS

(M PROFILE)

COMPLY WITH BSEN1254-2: 1998

MXF REDUCER



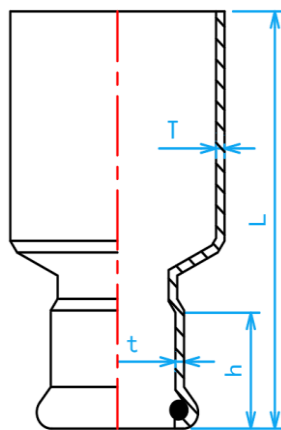
A Product of the nPressGuard® Solution



STANDARD SPECIFICATION

| | |
|---------------------|------------------------------------|
| Working Pressure | 16 Bar |
| Working Temperature | 0 ~ 85°C |
| Applications | Hot and cold potable water system. |

DIMENSIONS



CROSS SECTIONAL VIEW

| SKU | SIZE (mm) | H (mm) | h (mm) | T (mm) | T1 (mm) | WEIGHT (kg) | PCS/C TN |
|---------------------|-----------|--------|--------|--------|---------|-------------|----------|
| SS316LPFNRS02015MF | 22×15 | 68 | 20 | 1.5 | 1.5 | 0.048 | 300 |
| SS316LPFNRS02515MF | 28×15 | 73 | 20 | 1.5 | 1.5 | 0.059 | 300 |
| SS316LPFNRS02520MF | 28×22 | 71 | 21 | 1.5 | 1.5 | 0.065 | 250 |
| SS316LPFNRS03515MF | 35×15 | 81 | 20 | 1.5 | 1.5 | 0.080 | 160 |
| SS316LPFNRS03520MF | 35×22 | 80 | 21 | 1.5 | 1.5 | 0.091 | 100 |
| SS316LPFNRS03525MF | 35×28 | 80 | 23 | 1.5 | 1.5 | 0.089 | 80 |
| SS316LPFNRS04215MF | 42×15 | 90 | 20 | 1.5 | 1.5 | 0.110 | 80 |
| SS316LPFNRS04220MF | 42×22 | 87 | 21 | 1.5 | 1.5 | 0.116 | 100 |
| SS316LPFNRS04225MF | 42×28 | 87 | 23 | 1.5 | 1.5 | 0.124 | 110 |
| SS316LPFNRS04235MF | 42×35 | 88 | 26 | 1.5 | 1.5 | 0.125 | 60 |
| SS316LPFNRS05015MF | 54×15 | 105 | 20 | 1.5 | 1.5 | 0.162 | 77 |
| SS316LPFNRS05020MF | 54×22 | 104 | 21 | 1.5 | 1.5 | 0.170 | 77 |
| SS316LPFNRS05025MF | 54×28 | 102 | 23 | 1.5 | 1.5 | 0.175 | 100 |
| SS316LPFNRS05035MF | 54×35 | 104 | 26 | 1.5 | 1.5 | 0.185 | 90 |
| SS316LPFNRS05042MF | 54×42 | 103 | 31 | 1.5 | 1.5 | 0.195 | 80 |
| SS316LPFNRS06525MF | 67×28 | 127 | 23 | 1.8 | 1.5 | 0.320 | 40 |
| SS316LPFNRS06535MF | 67×35 | 128 | 26 | 1.8 | 1.5 | 0.316 | 40 |
| SS316LPFNRS06542MF | 67×42 | 130 | 31 | 1.8 | 1.5 | 0.330 | 40 |
| SS316LPFNRS06550MF | 67×54 | 132 | 36 | 1.8 | 1.5 | 0.350 | 40 |
| SS316LPFNRS08025MF | 76×28 | 140 | 23 | 2.0 | 1.5 | 0.425 | 20 |
| SS316LPFNRS08035MF | 76×35 | 141 | 26 | 2.0 | 1.5 | 0.435 | 20 |
| SS316LPFNRS08042MF* | 76×42 | 145 | 31 | 2.0 | 1.5 | 0.470 | 20 |
| SS316LPFNRS08050MF | 76×54 | 147 | 36 | 2.0 | 1.5 | 0.470 | 30 |
| SS316LPFNRS08065MF | 76×67 | 162 | 50 | 2.0 | 1.8 | 0.560 | 21 |
| SS316LPFNRS10042MF* | 108×42 | 180 | 31 | 2.0 | 1.5 | 0.810 | 12 |
| SS316LPFNRS10050MF | 108×54 | 182 | 36 | 2.0 | 1.5 | 0.830 | 10 |
| SS316LPFNRS10065MF | 108×67 | 195 | 50 | 2.0 | 1.8 | 0.920 | 9 |
| SS316LPFNRS10080MF | 108×76 | 198 | 51 | 2.0 | 2.0 | 0.960 | 9 |

*This item requires special ordering. Please consult with a salesperson for the estimated lead time.

STAINLESS STEEL 316L

PRESS FIT FITTINGS

(M PROFILE)

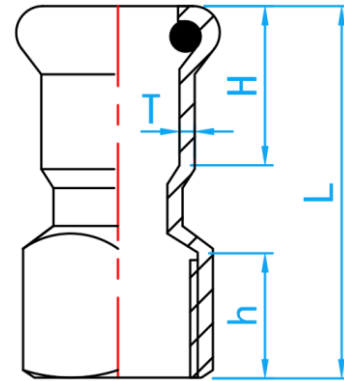


A Product of the nPressGuard® Solution



COMPLY WITH BSEN1254-2: 1998

FI SOCKET



CROSS SECTIONAL VIEW

STANDARD SPECIFICATION

| | |
|---------------------|------------------------------------|
| Working Pressure | 16 Bar |
| Working Temperature | 0 ~ 85°C |
| Applications | Hot and cold potable water system. |

DIMENSIONS

| SKU | SIZE (mm x inch) | L(mm) | H(mm) | h(mm) | T (mm) | WEIGHT(kg) | PCS/CTN |
|-----------------|------------------|-------|-------|-------|--------|------------|---------|
| SS316LFIA01515 | 15 × 1/2" BSP | 52 | 20 | 15.5 | 1.5 | 0.050 | 300 |
| SS316LFIA02015* | 22 × 1/2" BSP | 50 | 20 | 15.5 | 1.5 | 0.055 | 240 |
| SS316LFIA02020 | 22 × 3/4" BSP | 50 | 21 | 16.0 | 1.5 | 0.070 | 170 |
| SS316LFIA02515* | 28 × 1/2" BSP | 65 | 23 | 15.5 | 1.5 | 0.075 | 100 |
| SS316LFIA02520* | 28 × 3/4" BSP | 54 | 23 | 16.0 | 1.5 | 0.080 | 100 |
| SS316LFIA02525 | 28 × 1" BSP | 57 | 23 | 20.0 | 1.5 | 0.110 | 120 |
| SS316LFIA03515* | 35 × 1/2" BSP | 72 | 26 | 15.5 | 1.5 | 0.095 | 80 |
| SS316LFIA03520* | 35 × 3/4" BSP | 70 | 26 | 16.0 | 1.5 | 0.110 | 70 |
| SS316LFIA03525* | 35 × 1" BSP | 64 | 26 | 20.0 | 1.5 | 0.180 | 80 |
| SS316LFIA03535 | 35 × 1 1/4" BSP | 65 | 26 | 22.0 | 1.5 | 0.150 | 75 |
| SS316LFIA03542* | 35 × 1 1/2" BSP | 77 | 26 | 25.0 | 1.5 | 0.185 | 60 |
| SS316LFIA04215 | 42 × 1/2" BSP | 80 | 31 | 15.5 | 1.5 | 0.134 | 120 |
| SS316LFIA04220* | 42 × 3/4" BSP | 77 | 31 | 16.0 | 1.5 | 0.135 | 120 |
| SS316LFIA04225* | 42 × 1" BSP | 80 | 31 | 20.0 | 1.5 | 0.155 | 100 |
| SS316LFIA04235* | 42 × 1 1/4" BSP | 70 | 31 | 22.0 | 1.5 | 0.170 | 100 |
| SS316LFIA04242 | 42 × 1 1/2" BSP | 71 | 31 | 25.0 | 1.5 | 0.200 | 60 |
| SS316LFIA04250* | 42 × 2" BSP | 90 | 31 | 25.0 | 1.5 | 0.280 | 50 |
| SS316LFIA05015 | 54 × 1/2" BSP | 90 | 36 | 15.5 | 1.5 | 0.170 | 70 |
| SS316LFIA05020* | 54 × 3/4" BSP | 90 | 36 | 16.0 | 1.5 | 0.178 | 60 |
| SS316LFIA05025* | 54 × 1" BSP | 92 | 36 | 20.0 | 1.5 | 0.205 | 60 |
| SS316LFIA05035* | 54 × 1 1/4" BSP | 92 | 36 | 22.0 | 1.5 | 0.229 | 60 |
| SS316LFIA05042* | 54 × 1 1/2" BSP | 92 | 36 | 25.0 | 1.5 | 0.246 | 36 |
| SS316LFIA05050 | 54 × 2" BSP | 84 | 35 | 25.0 | 1.5 | 0.285 | 36 |
| SS316LFIA06515 | 67 × 1/2" BSP | 111 | 50 | 15.5 | 1.8 | 0.310 | 28 |
| SS316LFIA06550* | 67 × 2" BSP | 115 | 50 | 25.0 | 1.8 | 0.435 | 15 |
| SS316LFIA06565 | 67 × 2 1/2" BSP | 115 | 50 | 28.0 | 1.8 | 0.570 | 15 |
| SS316LFIA08015 | 76 × 1/2" BSP | 120 | 51 | 15.5 | 2.0 | 0.405 | 24 |
| SS316LFIA10015 | 108 × 1/2" BSP | 153 | 75 | 15.5 | 2.0 | 0.810 | 10 |

*This item requires special ordering. Please consult with a salesperson for the estimated lead time.

STAINLESS STEEL 316L PRESS FIT FITTINGS (M PROFILE)

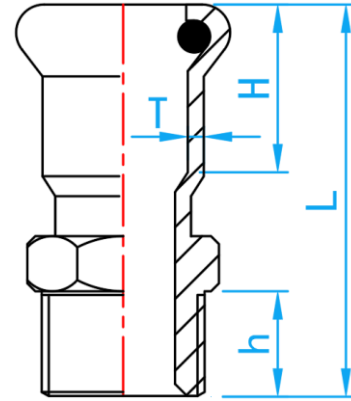
COMPLY WITH BSEN1254-2: 1998

MI SOCKET



The Complete Press-Fit Solution by Norika

A Product of the nPressGuard® Solution



CROSS SECTIONAL VIEW

STANDARD SPECIFICATION

| | |
|---------------------|------------------------------------|
| Working Pressure | 16 Bar |
| Working Temperature | 0 ~ 85°C |
| Applications | Hot and cold potable water system. |

DIMENSIONS

| SKU | SIZE (mm x inch) | L (mm) | H (mm) | h (mm) | T (mm) | WEIGHT (kg) | PCS/CTN |
|-----------------|------------------|--------|--------|--------|--------|-------------|---------|
| SS316LMIA01515 | 15 × 1/2" BSPT | 51.0 | 20 | 15 | 1.5 | 0.044 | 420 |
| SS316LMIA02015 | 22 × 1/2" BSPT | 53.0 | 20 | 15 | 1.5 | 0.060 | 170 |
| SS316LMIA02020 | 22 × 3/4" BSPT | 55.0 | 21 | 16 | 1.5 | 0.065 | 200 |
| SS316LMIA02025* | 22 × 1" BSPT | 70.0 | 24 | 16 | 1.5 | 0.105 | 130 |
| SS316LMIA02515* | 28 × 1/2" BSPT | 66.5 | 24 | 14 | 1.5 | 0.075 | 130 |
| SS316LMIA02520* | 28 × 3/4" BSPT | 58.0 | 24 | 16 | 1.5 | 0.082 | 130 |
| SS316LMIA02525 | 28 × 1" BSPT | 62.0 | 33 | 19 | 1.5 | 0.105 | 130 |
| SS316LMIA03515* | 35 × 1/2" BSPT | 76.0 | 26 | 15 | 1.5 | 0.095 | 80 |
| SS316LMIA03520* | 35 × 3/4" BSPT | 75.0 | 26 | 15 | 1.5 | 0.100 | 80 |
| SS316LMIA03525 | 35 × 1" BSPT | 67.0 | 26 | 21 | 1.5 | 0.120 | 80 |
| SS316LMIA03535 | 35 × 1 1/4" BSPT | 70.0 | 26 | 21 | 1.5 | 0.160 | 80 |
| SS316LMIA03542* | 35 × 1 1/2" BSPT | 82.0 | 28 | 22 | 1.5 | 0.165 | 66 |
| SS316LMIA03550* | 35 × 2" BSPT | 92.0 | 26 | 26 | 1.5 | 0.300 | 38 |
| SS316LMIA04215* | 42 × 1/2" BSPT | 81.0 | 31 | 14 | 1.5 | 0.120 | 50 |
| SS316LMIA04220* | 42 × 3/4" BSPT | 82.0 | 31 | 16 | 1.5 | 0.132 | 50 |
| SS316LMIA04225* | 42 × 1" BSPT | 84.0 | 24 | 22 | 1.5 | 0.150 | 50 |
| SS316LMIA04235* | 42 × 1 1/4" BSPT | 75.0 | 31 | 21 | 1.5 | 0.180 | 50 |
| SS316LMIA04242 | 42 × 1 1/2" BSPT | 75.0 | 31 | 21 | 1.5 | 0.195 | 66 |
| SS316LMIA04250* | 42 × 2" BSPT | 96.0 | 31 | 21 | 1.5 | 0.320 | 50 |
| SS316LMIA05020* | 54 × 3/4" BSPT | 94.0 | 35 | 16 | 1.5 | 0.178 | 60 |
| SS316LMIA05025* | 54 × 1" BSPT | 95.0 | 35 | 19 | 1.5 | 0.198 | 50 |
| SS316LMIA05035* | 54 × 1 1/4" BSPT | 96.0 | 35 | 20 | 1.5 | 0.232 | 38 |
| SS316LMIA05042* | 54 × 1 1/2" BSPT | 95.0 | 35 | 21 | 1.5 | 0.246 | 38 |
| SS316LMIA05050 | 54 × 2" BSPT | 88.0 | 36 | 26 | 1.5 | 0.320 | 38 |
| SS316LMIA06565 | 67 × 2 1/2" BSPT | 110.0 | 50 | 30 | 1.8 | 0.735 | 15 |
| SS316LMIA08065 | 76 × 2 1/2" BSPT | 115.0 | 55 | 30 | 2.0 | 0.626 | 24 |
| SS316LMIA08080 | 76 × 3" BSPT | 117.0 | 55 | 32 | 2.0 | 0.825 | 24 |
| SS316LMIA100100 | 108 × 4" BSPT | 148.0 | 80 | 35 | 2.0 | 1.243 | 10 |

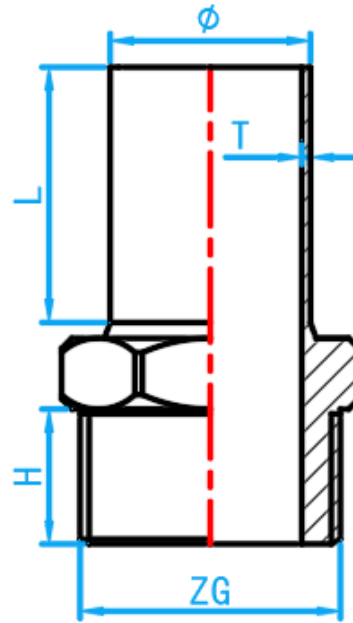
*This item requires special ordering. Please consult with a salesperson for the estimated lead time.

STAINLESS STEEL 316L PRESS FIT FITTINGS (M PROFILE)

COMPLY WITH BSEN1254-2: 1998

[MI] PIPE


A Product of the nPressGuard® Solution



CROSS SECTIONAL VIEW

STANDARD SPECIFICATION

| | |
|---------------------|------------------------------------|
| Working Pressure | 16 Bar |
| Working Temperature | 0 ~ 85°C |
| Applications | Hot and cold potable water system. |

DIMENSIONS

| SKU | SIZE (mm) | ZG (inch) | Ø (mm) | T (mm) | L (mm) | H (mm) | WEIGHT (kg) | PCS/CTN |
|---------------------|-----------|-------------|--------|--------|--------|--------|-------------|---------|
| SS316L PPFNMIP01515 | 15 | 1/2" BSPT | 15 | 1.5 | 35 | 15 | 0.050 | 500 |
| SS316L PPFNMIP02020 | 22 | 3/4" BSPT | 22 | 1.5 | 36 | 16 | 0.070 | 200 |
| SS316L PPFNMIP02525 | 28 | 1" BSPT | 28 | 1.5 | 38 | 19 | 0.140 | 150 |
| SS316L PPFNMIP03535 | 35 | 1 1/4" BSPT | 35 | 1.5 | 40 | 21 | 0.150 | 50 |
| SS316L PPFNMIP04242 | 42 | 1 1/2" BSPT | 42 | 1.5 | 45 | 21 | 0.190 | 50 |
| SS316L PPFNMIP05050 | 54 | 2" BSPT | 54 | 1.5 | 50 | 26 | 0.335 | 60 |

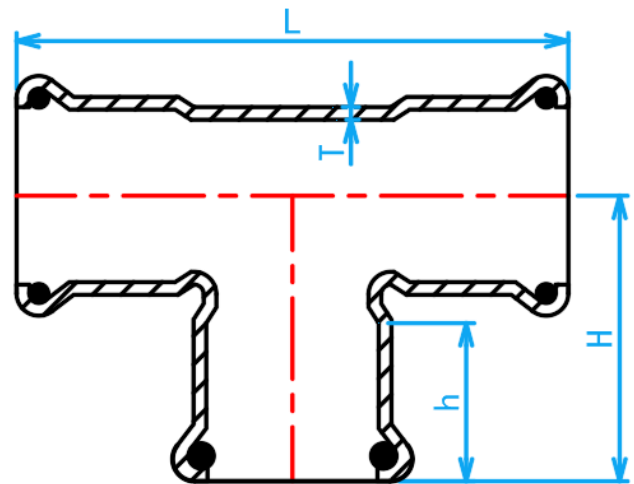
STAINLESS STEEL 316L PRESS FIT FITTINGS (M PROFILE)

COMPLY WITH BSEN1254-2: 1998

EQUAL TEE



A Product of the nPressGuard® Solution



CROSS SECTIONAL VIEW

STANDARD SPECIFICATION

| | |
|---------------------|------------------------------------|
| Working Pressure | 16 Bar |
| Working Temperature | 0 ~ 85°C |
| Applications | Hot and cold potable water system. |

DIMENSIONS

| SKU | SIZE (mm) | L (mm) | H (mm) | h (mm) | T (mm) | WEIGHT (kg) | PCS/CTN |
|----------------|-----------|--------|--------|--------|--------|-------------|---------|
| SS316LPFNET015 | 15 | 70 | 36 | 20 | 1.5 | 0.065 | 240 |
| SS316LPFNET020 | 22 | 78 | 40 | 21 | 1.5 | 0.100 | 120 |
| SS316LPFNET025 | 28 | 87 | 45 | 23 | 1.5 | 0.132 | 70 |
| SS316LPFNET035 | 35 | 100 | 53 | 26 | 1.5 | 0.185 | 50 |
| SS316LPFNET042 | 42 | 120 | 61 | 31 | 1.5 | 0.275 | 52 |
| SS316LPFNET050 | 54 | 142 | 73 | 36 | 1.5 | 0.350 | 28 |
| SS316LPFNET065 | 67 | 202 | 98 | 50 | 1.8 | 0.955 | 12 |
| SS316LPFNET080 | 76 | 230 | 110 | 51 | 2.0 | 1.200 | 8 |
| SS316LPFNET100 | 108 | 305 | 160 | 75 | 2.0 | 2.320 | 3 |

STAINLESS STEEL 316L

PRESS FIT FITTINGS

(M PROFILE)

COMPLY WITH BSEN1254-2: 1998

REDUCING TEE



A Product of the nPressGuard® Solution

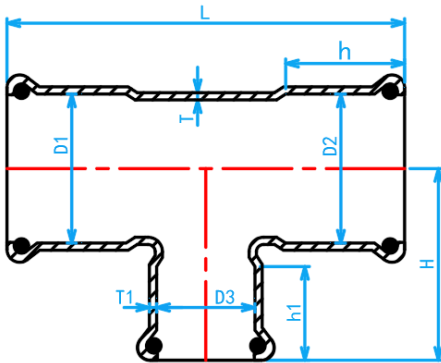
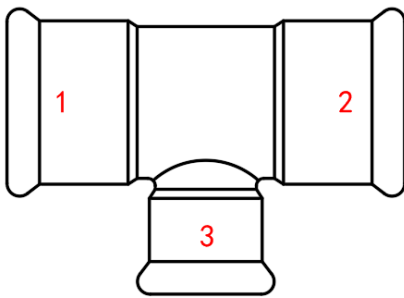


STANDARD SPECIFICATION

| | |
|---------------------|------------------------------------|
| Working Pressure | 16 Bar |
| Working Temperature | 0 ~ 85°C |
| Applications | Hot and cold potable water system. |

DIMENSIONS

| SKU | D1×D2×D3 (mm) | L (mm) | H (mm) | h (mm) | h1 (mm) | T (mm) | T1 (mm) | WEIGHT (kg) | PCS/CT N |
|---------------------|------------------|-----------|-----------|-----------|------------|-----------|------------|----------------|-------------|
| SS316LPFNRT0202015 | 22×22×15 | 76 | 38 | 21 | 20 | 1.5 | 1.5 | 0.090 | 120 |
| SS316LPFNRT0252515 | 28×28×15 | 87 | 42 | 23 | 20 | 1.5 | 1.5 | 0.118 | 60 |
| SS316LPFNRT0252520 | 28×28×22 | 87 | 45 | 23 | 21 | 1.5 | 1.5 | 0.134 | 60 |
| SS316LPFNRT0353515 | 35×35×15 | 100 | 46 | 26 | 20 | 1.5 | 1.5 | 0.155 | 80 |
| SS316LPFNRT0353520 | 35×35×22 | 100 | 46 | 26 | 21 | 1.5 | 1.5 | 0.160 | 80 |
| SS316LPFNRT0353525 | 35×35×28 | 100 | 48 | 26 | 23 | 1.5 | 1.5 | 0.170 | 50 |
| SS316LPFNRT0424215 | 42×42×15 | 118 | 52 | 31 | 20 | 1.5 | 1.5 | 0.220 | 51 |
| SS316LPFNRT0424220 | 42×42×22 | 118 | 52 | 31 | 21 | 1.5 | 1.5 | 0.230 | 70 |
| SS316LPFNRT0424225 | 42×42×28 | 118 | 53 | 31 | 23 | 1.5 | 1.5 | 0.230 | 60 |
| SS316LPFNRT0424235 | 42×42×35 | 118 | 56 | 31 | 26 | 1.5 | 1.5 | 0.240 | 50 |
| SS316LPFNRT0505015 | 54×54×15 | 142 | 55 | 36 | 20 | 1.5 | 1.5 | 0.300 | 38 |
| SS316LPFNRT0505020 | 54×54×22 | 142 | 57 | 36 | 21 | 1.5 | 1.5 | 0.320 | 32 |
| SS316LPFNRT0505025 | 54×54×28 | 142 | 56 | 36 | 23 | 1.5 | 1.5 | 0.300 | 32 |
| SS316LPFNRT0505035 | 54×54×35 | 142 | 62 | 36 | 26 | 1.5 | 1.5 | 0.342 | 32 |
| SS316LPFNRT0505042 | 54×54×42 | 142 | 67 | 36 | 31 | 1.5 | 1.5 | 0.360 | 32 |
| SS316LPFNRT0656515 | 67×67×15 | 202 | 65 | 50 | 20 | 1.8 | 1.5 | 0.700 | 15 |
| SS316LPFNRT0656520 | 67×67×22 | 202 | 66 | 50 | 21 | 1.8 | 1.5 | 0.700 | 15 |
| SS316LPFNRT0656525 | 67×67×28 | 202 | 68 | 50 | 23 | 1.8 | 1.5 | 0.720 | 15 |
| SS316LPFNRT0656535 | 67×67×35 | 202 | 72 | 50 | 26 | 1.8 | 1.5 | 0.730 | 15 |
| SS316LPFNRT0656542 | 67×67×42 | 202 | 76 | 50 | 31 | 1.8 | 1.5 | 0.750 | 15 |
| SS316LPFNRT0656550 | 67×67×54 | 202 | 83 | 50 | 36 | 1.8 | 1.5 | 0.850 | 12 |
| SS316LPFNRT0808015 | 76×76×15 | 230 | 69 | 51 | 20 | 2.0 | 1.5 | 0.860 | 12 |
| SS316LPFNRT0808020 | 76×76×22 | 230 | 69 | 51 | 21 | 2.0 | 1.5 | 0.870 | 12 |
| SS316LPFNRT0808025 | 76×76×28 | 230 | 71 | 51 | 23 | 2.0 | 1.5 | 0.870 | 12 |
| SS316LPFNRT0808035 | 76×76×35 | 230 | 77 | 51 | 26 | 2.0 | 1.5 | 0.970 | 12 |
| SS316LPFNRT0808042 | 76×76×42 | 230 | 81 | 51 | 31 | 2.0 | 1.5 | 0.960 | 11 |
| SS316LPFNRT0808050 | 76×76×54 | 230 | 87 | 51 | 36 | 2.0 | 1.5 | 1.030 | 10 |
| SS316LPFNRT0808065 | 76×76×67 | 230 | 105 | 51 | 50 | 2.0 | 1.8 | 1.130 | 10 |
| SS316LPFNRT10010020 | 108×108×22 | 310 | 85 | 75 | 21 | 2.0 | 1.5 | 1.830 | 4 |
| SS316LPFNRT10010025 | 108×108×28 | 310 | 87 | 75 | 23 | 2.0 | 1.5 | 1.840 | 4 |
| SS316LPFNRT10010035 | 108×108×35 | 310 | 91 | 75 | 26 | 2.0 | 1.5 | 1.850 | 4 |
| SS316LPFNRT10010042 | 108×108×42 | 310 | 97 | 75 | 31 | 2.0 | 1.5 | 1.860 | 4 |
| SS316LPFNRT10010050 | 108×108×54 | 310 | 102 | 75 | 36 | 2.0 | 1.5 | 1.870 | 3 |
| SS316LPFNRT10010065 | 108×108×67 | 310 | 120 | 75 | 50 | 2.0 | 1.8 | 1.990 | 3 |
| SS316LPFNRT10010080 | 108×108×76 | 310 | 125 | 75 | 51 | 2.0 | 2.0 | 2.070 | 3 |



CROSS SECTIONAL VIEW

STAINLESS STEEL 316L

PRESS FIT FITTINGS

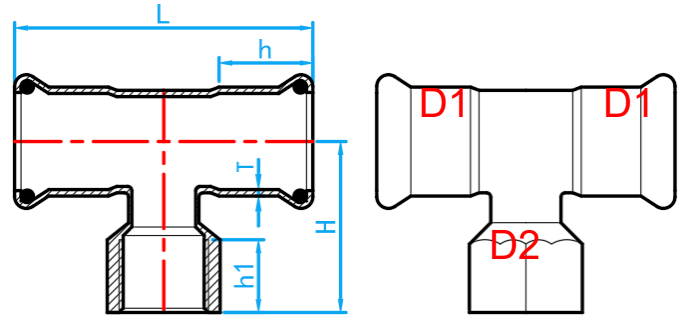
(M PROFILE)



A Product of the nPressGuard® Solution



COMPLY WITH BSEN1254-2: 1998

FI TEE


CROSS SECTIONAL VIEW

STANDARD SPECIFICATION

| | |
|---------------------|------------------------------------|
| Working Pressure | 16 Bar |
| Working Temperature | 0 ~ 85°C |
| Applications | Hot and cold potable water system. |

DIMENSIONS

| SKU | SIZE D1xD1xD2 (mm x mm x inch) | L (mm) | H (mm) | h (mm) | h1 (mm) | T (mm) | WEIGHT (kg) | PCS/CTN |
|--------------------|-----------------------------------|-----------|-----------|-----------|------------|-----------|----------------|---------|
| SS316LPFNFIT01515 | 15 × 15 × 1/2" BSP | 70 | 36 | 20 | 15.5 | 1.5 | 0.072 | 150 |
| SS316LPFNFIT02015 | 22 × 22 × 1/2" BSP | 76 | 37 | 21 | 15.5 | 1.5 | 0.104 | 140 |
| SS316LPFNFIT02020 | 22 × 22 × 3/4" BSP | 76 | 39 | 21 | 16.0 | 1.5 | 0.140 | 120 |
| SS316LPFNFIT02515 | 28 × 28 × 1/2" BSP | 87 | 39 | 23 | 15.5 | 1.5 | 0.134 | 80 |
| SS316LPFNFIT02520 | 28 × 28 × 3/4" BSP | 87 | 40 | 23 | 16.0 | 1.5 | 0.150 | 60 |
| SS316LPFNFIT02525 | 28 × 28 × 1" BSP | 87 | 45 | 23 | 20.0 | 1.5 | 0.210 | 60 |
| SS316LPFNFIT03506* | 35 × 35 × 1/4" BSP | 100 | 42 | 26 | 15.5 | 1.5 | 0.180 | 60 |
| SS316LPFNFIT03515 | 35 × 35 × 1/2" BSP | 100 | 42 | 26 | 15.5 | 1.5 | 0.185 | 60 |
| SS316LPFNFIT03520 | 35 × 35 × 3/4" BSP | 100 | 54 | 26 | 16.0 | 1.5 | 0.191 | 60 |
| SS316LPFNFIT03525 | 35 × 35 × 1" BSP | 100 | 48 | 26 | 20.0 | 1.5 | 0.170 | 60 |
| SS316LPFNFIT03535 | 35 × 35 × 1 1/4" BSP | 100 | 52 | 26 | 21.0 | 1.5 | 0.230 | 40 |
| SS316LPFNFIT04215 | 42 × 42 × 1/2" BSP | 118 | 47 | 31 | 15.5 | 1.5 | 0.235 | 60 |
| SS316LPFNFIT04220 | 42 × 42 × 3/4" BSP | 118 | 47 | 31 | 16.0 | 1.5 | 0.240 | 50 |
| SS316LPFNFIT04225 | 42 × 42 × 1" BSP | 118 | 53 | 31 | 20.0 | 1.5 | 0.265 | 50 |
| SS316LPFNFIT04235 | 42 × 42 × 1 1/4" BSP | 118 | 57 | 31 | 21.0 | 1.5 | 0.300 | 50 |
| SS316LPFNFIT04242 | 42 × 42 × 1 1/2" BSP | 118 | 61 | 31 | 25.0 | 1.5 | 0.310 | 40 |
| SS316LPFNFIT05015 | 54 × 54 × 1/2" BSP | 142 | 55 | 36 | 15.5 | 1.5 | 0.330 | 40 |
| SS316LPFNFIT05020 | 54 × 54 × 3/4" BSP | 142 | 54 | 36 | 16.0 | 1.5 | 0.357 | 34 |
| SS316LPFNFIT05025 | 54 × 54 × 1" BSP | 142 | 59 | 36 | 20.0 | 1.5 | 0.357 | 32 |
| SS316LPFNFIT05035 | 54 × 54 × 1 1/4" BSP | 142 | 62 | 36 | 21.0 | 1.5 | 0.350 | 30 |
| SS316LPFNFIT05042 | 54 × 54 × 1 1/2" BSP | 142 | 64 | 36 | 21.0 | 1.5 | 0.410 | 30 |
| SS316LPFNFIT05050 | 54 × 54 × 2" BSP | 142 | 70 | 36 | 25.0 | 1.5 | 0.480 | 32 |
| SS316LPFNFIT06515 | 67 × 67 × 1/2" BSP | 202 | 61 | 50 | 15.5 | 1.8 | 0.700 | 18 |
| SS316LPFNFIT06520 | 67 × 67 × 3/4" BSP | 202 | 61 | 50 | 16.0 | 1.8 | 0.710 | 15 |
| SS316LPFNFIT06525* | 67 × 67 × 1" BSP | 202 | 66 | 50 | 20.0 | 1.8 | 0.720 | 15 |
| SS316LPFNFIT06535* | 67 × 67 × 1 1/4" BSP | 202 | 70 | 50 | 21.0 | 1.8 | 0.765 | 15 |
| SS316LPFNFIT06542* | 67 × 67 × 1 1/2" BSP | 202 | 72 | 50 | 25.0 | 1.8 | 0.800 | 15 |
| SS316LPFNFIT06550* | 67 × 67 × 2" BSP | 202 | 78 | 50 | 25.0 | 1.8 | 0.820 | 15 |
| SS316LPFNFIT08015 | 76 × 76 × 1/2" BSP | 230 | 66 | 51 | 15.5 | 2.0 | 0.955 | 12 |
| SS316LPFNFIT08020* | 76 × 76 × 3/4" BSP | 230 | 66 | 51 | 16.0 | 2.0 | 0.970 | 12 |
| SS316LPFNFIT08025* | 76 × 76 × 1" BSP | 230 | 73 | 51 | 20.0 | 2.0 | 0.990 | 12 |
| SS316LPFNFIT10025 | 108 × 108 × 1" BSP | 310 | 87 | 75 | 20.0 | 2.0 | 1.900 | 4 |
| SS316LPFNFIT10050* | 108 × 108 × 2" BSP | 310 | 100 | 75 | 25.0 | 2.0 | 2.050 | 3 |

*This item requires special ordering. Please consult with a salesperson for the estimated lead time.

STAINLESS STEEL 316L

PRESS FIT FITTINGS

(M PROFILE)

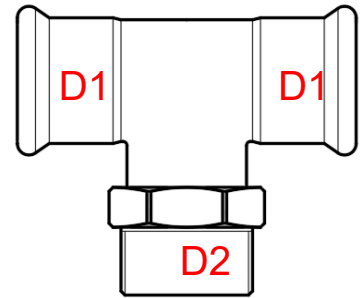
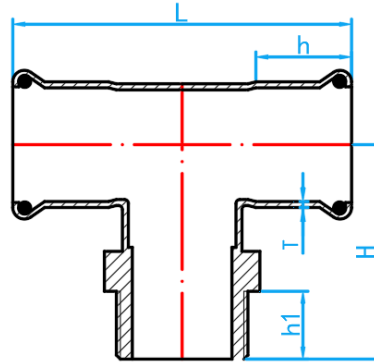
COMPLY WITH BSEN1254-2: 1998

MI TEE



The Complete Press-Fit Solution by Norika

A Product of the nPressGuard® Solution



CROSS SECTIONAL VIEW

STANDARD SPECIFICATION

| | |
|---------------------|------------------------------------|
| Working Pressure | 16 Bar |
| Working Temperature | 0 ~ 85°C |
| Applications | Hot and cold potable water system. |

DIMENSIONS

| SKU | SIZE D1xD1xD2 (mm x mm x inch) | L (mm) | H (mm) | h (mm) | h1 (mm) | T (mm) | WEIGHT (kg) | PCS/CTN |
|--------------------|-----------------------------------|-----------|-----------|-----------|------------|-----------|----------------|---------|
| SS316LPFNMIT01515 | 15×15×1/2" BSPT | 70 | 36 | 20 | 15 | 1.5 | 0.070 | 200 |
| SS316LPFNMIT02015 | 22×22×1/2" BSPT | 76 | 38 | 21 | 15 | 1.5 | 0.090 | 140 |
| SS316LPFNMIT02020 | 22×22×3/4" BSPT | 76 | 43 | 21 | 16 | 1.5 | 0.110 | 100 |
| SS316LPFNMIT02515 | 28×28×1/2" BSPT | 87 | 40 | 23 | 15 | 1.5 | 0.125 | 80 |
| SS316LPFNMIT02520 | 28×28×3/4" BSPT | 87 | 45 | 23 | 16 | 1.5 | 0.140 | 80 |
| SS316LPFNMIT02525 | 28×28×1" BSPT | 87 | 48 | 23 | 18 | 1.5 | 0.160 | 70 |
| SS316LPFNMIT03515 | 35×35×1/2" BSPT | 100 | 46 | 26 | 15 | 1.5 | 0.167 | 50 |
| SS316LPFNMIT03520 | 35×35×3/4" BSPT | 100 | 48 | 26 | 16 | 1.5 | 0.175 | 50 |
| SS316LPFNMIT03525 | 35×35×1" BSPT | 100 | 53 | 26 | 18 | 1.5 | 0.200 | 50 |
| SS316LPFNMIT03535 | 35×35×1 1/4" BSPT | 100 | 58 | 26 | 20 | 1.5 | 0.250 | 50 |
| SS316LPFNMIT04215 | 42×42×1/2" BSPT | 118 | 50 | 31 | 15 | 1.5 | 0.220 | 48 |
| SS316LPFNMIT04220 | 42×42×3/4" BSPT | 118 | 52 | 31 | 16 | 1.5 | 0.240 | 48 |
| SS316LPFNMIT04225 | 42×42×1" BSPT | 118 | 54 | 31 | 18 | 1.5 | 0.260 | 45 |
| SS316LPFNMIT04235 | 42×42×1 1/4" BSPT | 118 | 60 | 31 | 20 | 1.5 | 0.300 | 42 |
| SS316LPFNMIT04242 | 42×42×1 1/2" BSPT | 118 | 62 | 31 | 20 | 1.5 | 0.313 | 35 |
| SS316LPFNMIT05015 | 54×54×1/2" BSPT | 142 | 59 | 36 | 15 | 1.5 | 0.320 | 44 |
| SS316LPFNMIT05020 | 54×54×3/4" BSPT | 142 | 63 | 36 | 16 | 1.5 | 0.340 | 40 |
| SS316LPFNMIT05025 | 54×54×1" BSPT | 142 | 66 | 36 | 18 | 1.5 | 0.360 | 32 |
| SS316LPFNMIT05035 | 54×54×1 1/4" BSPT | 142 | 67 | 36 | 20 | 1.5 | 0.401 | 35 |
| SS316LPFNMIT05042 | 54×54×1 1/2" BSPT | 142 | 68 | 36 | 20 | 1.5 | 0.420 | 30 |
| SS316LPFNMIT05050 | 54×54×2" BSPT | 142 | 76 | 36 | 23 | 1.5 | 0.485 | 28 |
| SS316LPFNMIT06525 | 67×67×1" BSPT | 202 | 71 | 52 | 18 | 1.8 | 0.745 | 10 |
| SS316LPFNMIT06550 | 67×67×2" BSPT | 202 | 82 | 55 | 25 | 1.8 | 0.925 | 10 |
| SS316LPFNMIT06565 | 67×67×2 1/2" BSPT | 202 | 84 | 55 | 28 | 1.8 | 1.005 | 10 |
| SS316LPFNMIT08050* | 76×76×2" BSPT | 230 | 88 | 55 | 27 | 2.0 | 1.130 | 10 |
| SS316LPFNMIT10050* | 108×108×2" BSPT | 310 | 105 | 80 | 27 | 2.0 | 2.040 | 3 |
| SS316LPFNMIT10080* | 108×108×3" BSPT | 310 | 110 | 80 | 30 | 2.0 | 2.410 | 3 |

*This item requires special ordering. Please consult with a salesperson for the estimated lead time.

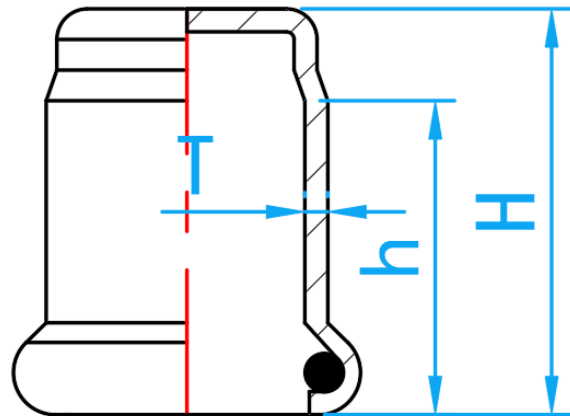
STAINLESS STEEL 316L PRESS FIT FITTINGS (M PROFILE)

COMPLY WITH BSEN1254-2: 1998

END CAP



A Product of the nPressGuard® Solution



CROSS SECTIONAL VIEW

STANDARD SPECIFICATION

| | |
|---------------------|------------------------------------|
| Working Pressure | 16 Bar |
| Working Temperature | 0 ~ 85°C |
| Applications | Hot and cold potable water system. |

DIMENSIONS

| SKU | SIZE (mm) | H (mm) | h (mm) | T (mm) | WEIGHT (kg) | PCS/CTN |
|----------------|-----------|--------|--------|--------|-------------|---------|
| SS316LPFNEC015 | 15 | 35 | 20 | 1.5 | 0.024 | 500 |
| SS316LPFNEC020 | 22 | 35 | 21 | 1.5 | 0.041 | 300 |
| SS316LPFNEC025 | 28 | 38 | 23 | 1.5 | 0.059 | 200 |
| SS316LPFNEC035 | 35 | 41 | 26 | 1.5 | 0.077 | 180 |
| SS316LPFNEC042 | 42 | 48 | 31 | 1.5 | 0.106 | 120 |
| SS316LPFNEC050 | 54 | 52 | 36 | 1.5 | 0.153 | 84 |
| SS316LPFNEC065 | 67 | 72 | 50 | 1.8 | 0.280 | 65 |
| SS316LPFNEC080 | 76 | 83 | 51 | 2.0 | 0.410 | 36 |
| SS316LPFNEC100 | 108 | 107 | 75 | 2.0 | 0.715 | 12 |

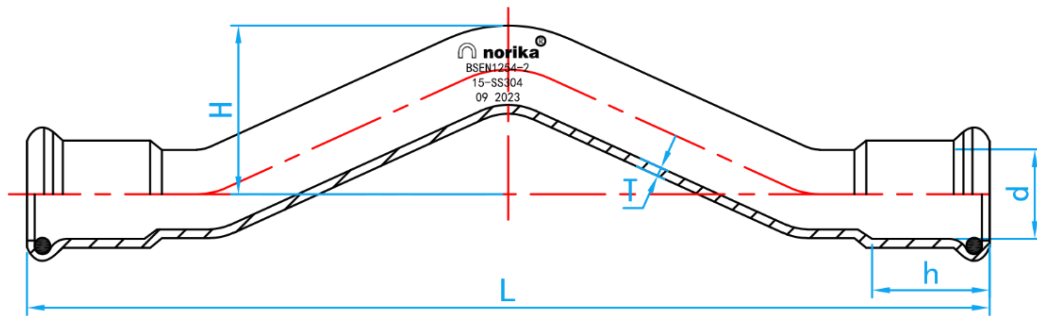
**STAINLESS STEEL 316L
PRESS FIT FITTINGS
(M PROFILE)**

COMPLY WITH BSEN1254-2: 1998

CROSS OVER



A Product of the nPressGuard[®] Solution



CROSS SECTIONAL VIEW

STANDARD SPECIFICATION

| | |
|---------------------|------------------------------------|
| Working Pressure | 16 Bar |
| Working Temperature | 0 ~ 85°C |
| Applications | Hot and cold potable water system. |

DIMENSIONS

| SKU | DN mm | d (mm) | L (mm) | H (mm) | h (mm) | T (mm) | WEIGHT (kg) | PCS/CTN |
|----------------|-------|--------|--------|--------|--------|--------|-------------|---------|
| SS316LPFNCO015 | 15 | 15 | 168 | 32.5 | 20 | 1.5 | 0.110 | 250 |
| SS316LPFNCO020 | 22 | 22 | 168 | 40.5 | 21 | 1.5 | 0.142 | 150 |
| SS316LPFNCO025 | 28 | 28 | 196 | 47.5 | 23 | 1.5 | 0.220 | 100 |

STAINLESS STEEL 316L PRESS FIT FITTINGS (M PROFILE)

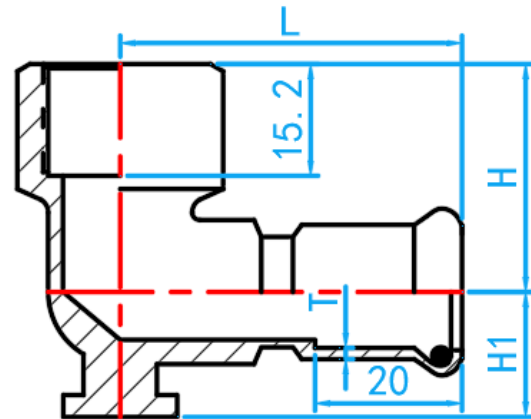
COMPLY WITH BSEN1254-2: 1998



A Product of the nPressGuard® Solution



WALL PLATE ELBOW



CROSS SECTIONAL VIEW

STANDARD SPECIFICATION

| | |
|---------------------|------------------------------------|
| Working Pressure | 16 Bar |
| Working Temperature | 0 ~ 85°C |
| Applications | Hot and cold potable water system. |

DIMENSIONS

| SKU | SIZE (mm x inch) | L (mm) | H (mm) | H1 (mm) | T (mm) | WEIGHT (kg) | PCS/CTN |
|----------------|---------------------|-----------|-----------|------------|-----------|----------------|---------|
| SS316LPFNFE015 | 15 × 1/2" BSP | 48 | 26 | 15 | 1.5 | 0.089 | 150 |

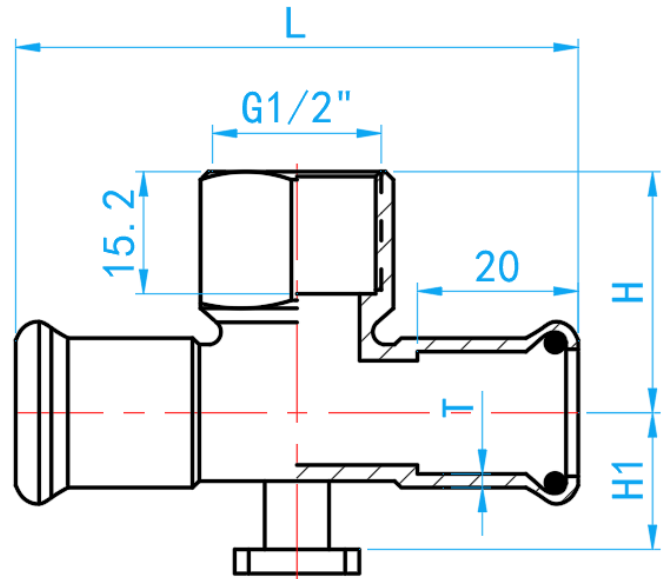
STAINLESS STEEL 316L PRESS FIT FITTINGS (M PROFILE)

COMPLY WITH BSEN1254-2: 1998

WALL PLATE FI TEE



A Product of the nPressGuard® Solution



CROSS SECTIONAL VIEW

STANDARD SPECIFICATION

| | |
|---------------------|------------------------------------|
| Working Pressure | 16 Bar |
| Working Temperature | 0 ~ 85°C |
| Applications | Hot and cold potable water system. |

DIMENSIONS

| SKU | SIZE (mm x mm x inch) | L (mm) | H (mm) | H1 (mm) | T (mm) | WEIGHT (kg) | PCS/CTN |
|----------------|--------------------------|-----------|-----------|------------|-----------|----------------|---------|
| SS316LPFNFT015 | 15 × 15 × 1/2" BSP | 70 | 32 | 20 | 1.5 | 0.093 | 140 |

**STAINLESS STEEL 316L
PRESS FIT FITTINGS
(M PROFILE)**

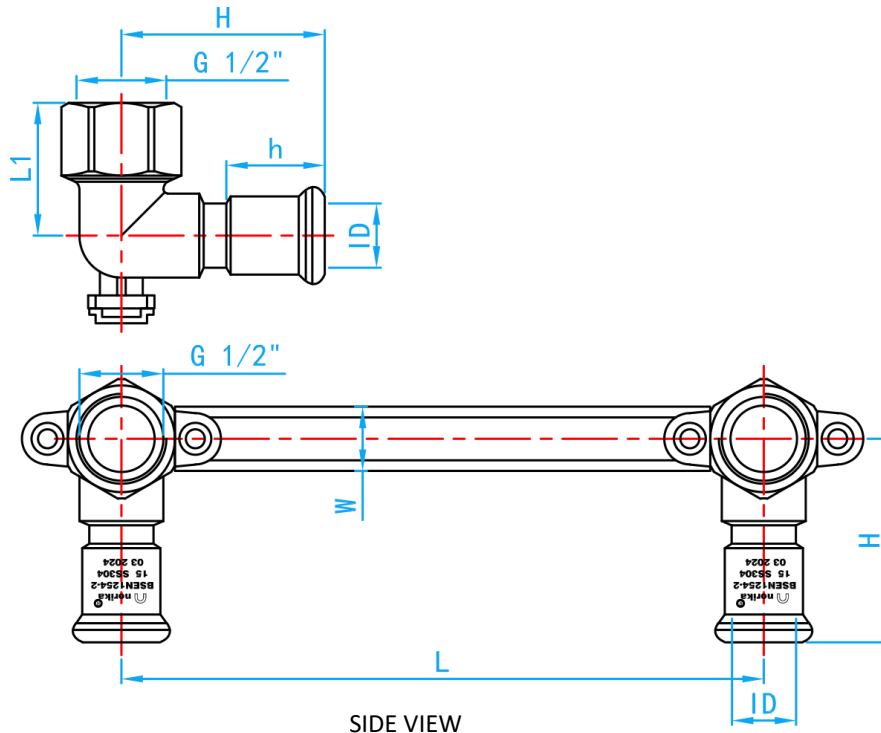
COMPLY WITH BSEN1254-2: 1998



A Product of the nPressGuard[®] Solution



DOUBLE ELBOW WALL MOUNTED PLATE



STANDARD SPECIFICATION

| | |
|---------------------|------------------------------------|
| Working Pressure | 16 Bar |
| Working Temperature | 0 ~ 85°C |
| Applications | Hot and cold potable water system. |

DIMENSIONS

| SKU | SIZE ID × G (mm x inch) | L (mm) | L1 (mm) | H (mm) | h (mm) | W (mm) | WEIGHT (kg) | PCS/CTN |
|------------------|-------------------------------|-----------|------------|-----------|-----------|-----------|----------------|---------|
| SS316LPFNFE015S* | 15 × 1/2" BSP | 150 | 31 | 47.5 | 23 | 15 | 0.200 | 40 |

*This item requires special ordering. Please consult with a salesperson for the estimated lead time.

STAINLESS STEEL 316L

PRESS FIT FITTINGS

(M PROFILE)

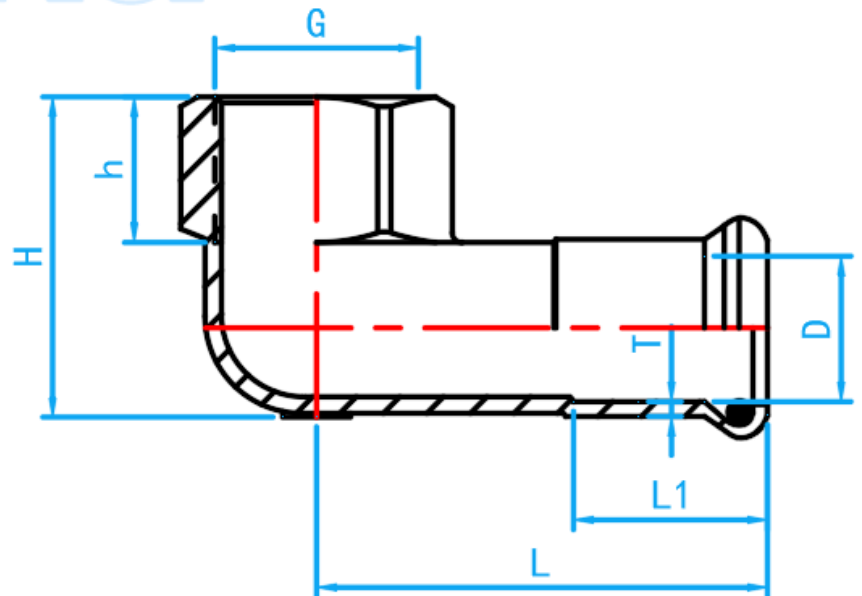
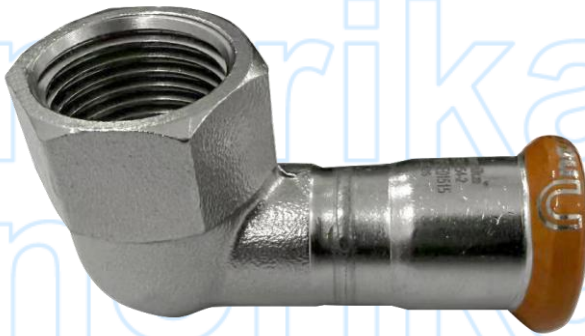
COMPLY WITH BSEN1254-2: 1998



A Product of the nPressGuard® Solution



[FIXPF] SHORT ELBOW



SIDE VIEW

STANDARD SPECIFICATION

| | |
|---------------------|------------------------------------|
| Working Pressure | 16 Bar |
| Working Temperature | 0 ~ 85°C |
| Applications | Hot and cold potable water system. |

DIMENSIONS

| SKU | SIZE ID × G (mm x inch) | D (mm) | G (mm) | L (mm) | L1 (mm) | H (mm) | h (mm) | T (mm) | WEIGHT (kg) | PCS/CTN |
|--------------------|-------------------------------|-----------|-----------|-----------|------------|-----------|-----------|-----------|----------------|---------|
| SS316IPFNFISE01515 | 15 × 1/2" BSP | 15 | 1/2" | 46.5 | 20 | 33 | 15.5 | 1.5 | 0.071 | 150 |
| SS316IPFNFISE02020 | 22 × 3/4" BSP | 22 | 3/4" | 53.0 | 21 | 41 | 16.0 | 1.5 | 0.110 | 100 |

*This item requires special ordering. Please consult with a salesperson for the estimated lead time.

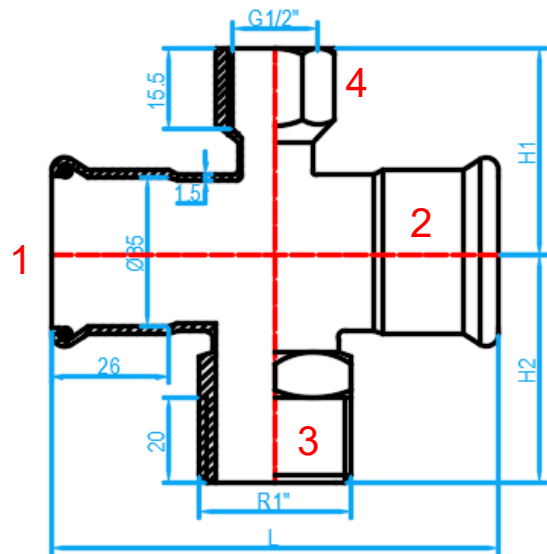
STAINLESS STEEL 316L PRESS FIT FITTINGS (M PROFILE)

COMPLY WITH BSEN1254-2: 1998

REDUCING CROSS TEE MXF



A Product of the nPressGuard® Solution



CROSS SECTIONAL VIEW

STANDARD SPECIFICATION

| | |
|---------------------|------------------------------------|
| Working Pressure | 16 Bar |
| Working Temperature | 0 ~ 85°C |
| Applications | Hot and cold potable water system. |

DIMENSIONS

| STOCK CODE | SIZE (mm x mm x inch x inch) | L (mm) | H1 (mm) | H2 (mm) | WEIGHT (kg) | PCS/CTN |
|----------------------|---------------------------------|-----------|------------|------------|----------------|---------|
| SS316LPFNCT3525M15F* | 35X35X1"BSPTX1/2"BSP | 100 | 43 | 54 | 0.241 | 30 |

*This item requires special ordering. Please consult with a salesperson for the estimated lead time.

STAINLESS STEEL 316L PRESS FIT FITTINGS (M PROFILE)

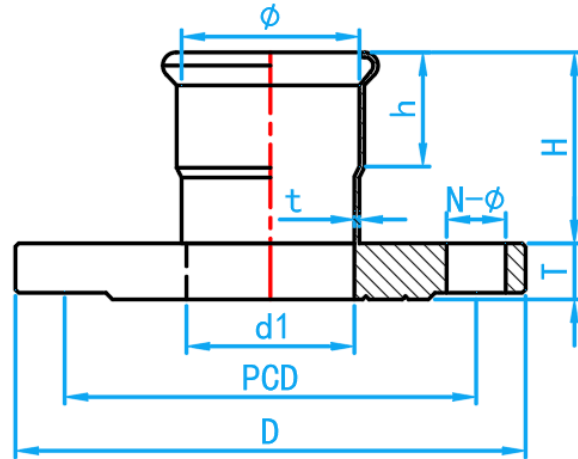
COMPLY WITH BSEN1254-2: 1998



A Product of the nPressGuard® Solution



PRESSFIT FLANGE SOCKET



CROSS SECTIONAL VIEW

STANDARD SPECIFICATION

| | |
|---------------------|------------------------------------|
| Working Pressure | 16 Bar |
| Working Temperature | 0 ~ 85°C |
| Applications | Hot and cold potable water system. |

DIMENSIONS

| STOCK CODE | ∅ (mm) | D (mm) | PCD (mm) | d1 (mm) | NO.S OF HOLS | d (mm) | T (mm) | H (mm) | h (mm) | t (mm) | WEIGHT (kg) |
|--------------------|-----------|-----------|-------------|------------|-----------------|-----------|-----------|-----------|-----------|-----------|----------------|
| SS316LPFNFLS01515* | 15 | 95 | 65 | 12 | 4 | 14 | 14 | 31 | 20 | 1.5 | 0.640 |
| SS316LPFNFLS02020* | 22 | 105 | 75 | 18 | 4 | 14 | 16 | 35 | 21 | 1.5 | 0.940 |
| SS316LPFNFLS02525 | 28 | 115 | 85 | 25 | 4 | 14 | 16 | 40 | 23 | 1.5 | 1.140 |
| SS316LPFNFLS03535 | 35 | 130 | 100 | 32 | 4 | 18 | 18 | 45 | 26 | 1.5 | 1.840 |
| SS316LPFNFLS04242 | 42 | 140 | 110 | 39 | 4 | 18 | 18 | 54 | 31 | 1.5 | 2.150 |
| SS316LPFNFLS05050 | 54 | 155 | 125 | 51 | 4 | 18 | 19 | 67 | 36 | 1.5 | 2.720 |
| SS316LPFNFLS06565 | 67 | 175 | 145 | 72 | 4 | 18 | 18 | 67 | 50 | 1.8 | 3.640 |
| SS316LPFNFLS08080 | 76 | 190 | 160 | 85 | 8 | 18 | 20 | 73 | 51 | 2.0 | 4.140 |
| SS316LPFNFLS100100 | 108 | 210 | 180 | 104 | 8 | 18 | 22 | 86 | 75 | 2.0 | 4.710 |

*This item requires special ordering. Please consult with a salesperson for the estimated lead time.

STAINLESS STEEL 316L

PRESS FIT FITTINGS

(M PROFILE)

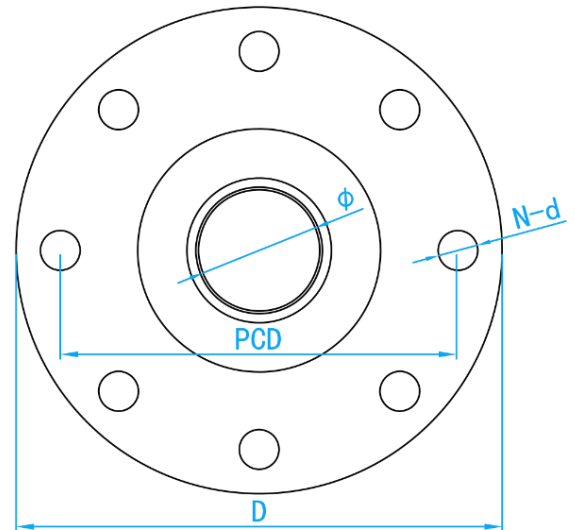
COMPLY WITH BSEN1254-2: 1998



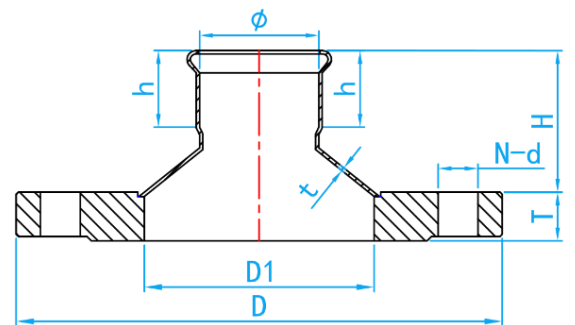
A Product of the nPressGuard® Solution



PRESSFIT FLANGE REDUCE SOCKET



TOP VIEW



CROSS SECTIONAL VIEW

STANDARD SPECIFICATION

| | |
|---------------------|------------------------------------|
| Working Pressure | 16 Bar |
| Working Temperature | 0 ~ 85°C |
| Applications | Hot and cold potable water system. |

DIMENSIONS

| SKU | ϕ (mm) | D (mm) | PCD (mm) | D1 (mm) | NO.S OF HOLS | d (mm) | T (mm) | H (mm) | h (mm) | t (mm) | WEIGHT (kg) |
|--------------------|----------------|-----------|-------------|------------|-----------------|-----------|-----------|-----------|-----------|-----------|----------------|
| SS316LPFNFLS06550 | 54 | 185 | 145 | 63 | 4 | 18 | 20 | 53 | 36 | 1.8 | 3.19 |
| SS316LPFNFLS08050 | 54 | 200 | 160 | 85 | 8 | 18 | 20 | 59 | 36 | 1.5 | 3.92 |
| SS316LPFNFLS08065 | 67 | 200 | 160 | 85 | 8 | 18 | 20 | 71 | 50 | 1.8 | 4.02 |
| SS316LPFNFLS100050 | 54 | 220 | 180 | 104 | 8 | 18 | 20 | 67 | 36 | 1.5 | 4.31 |
| SS316LPFNFLS100065 | 67 | 220 | 180 | 104 | 8 | 18 | 20 | 85 | 50 | 1.8 | 4.42 |
| SS316LPFNFLS100080 | 76 | 220 | 180 | 104 | 8 | 18 | 20 | 85 | 53 | 2.0 | 4.46 |
| SS316LPFNFLS150065 | 67 | 285 | 240 | 154 | 8 | 22 | 24 | 116 | 50 | 1.8 | 8.20 |
| SS316LPFNFLS150080 | 76 | 285 | 240 | 154 | 8 | 22 | 24 | 121 | 53 | 2.0 | 8.23 |
| SS316LPFNFLS150100 | 108 | 285 | 240 | 154 | 8 | 22 | 24 | 140 | 75 | 2.0 | 8.48 |

STAINLESS STEEL 316L PRESS FIT FITTINGS (M PROFILE)

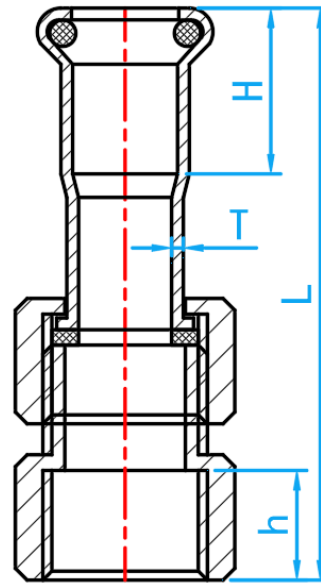
COMPLY WITH BSEN1254-2: 1998



A Product of the nPressGuard® Solution



FEMALE JOINT CONNECTOR



CROSS SECTIONAL VIEW

STANDARD SPECIFICATION

| | |
|---------------------|------------------------------------|
| Working Pressure | 16 Bar |
| Working Temperature | 0 ~ 85°C |
| Applications | Hot and cold potable water system. |

DIMENSIONS

| SKU | SIZE (mm x inch) | L (mm) | H (mm) | h (mm) | T (mm) | WEIGHT (kg) | PCS/CTN |
|--------------------|---------------------|-----------|-----------|-----------|-----------|----------------|---------|
| SS316L PFNFJCO1515 | 15 × 1/2" BSP | 71 | 20 | 15 | 1.5 | 0.110 | 180 |
| SS316L PFNFJCO2020 | 22 × 3/4" BSP | 75 | 21 | 17 | 1.5 | 0.152 | 150 |
| SS316L PFNFJCO2525 | 28 × 1" BSP | 83 | 23 | 19 | 1.5 | 0.215 | 70 |
| SS316L PFNFJCO3535 | 35 × 1 1/4" BSP | 91 | 26 | 21 | 1.5 | 0.326 | 70 |
| SS316L PFNFJCO4242 | 42 × 1 1/2" BSP | 111 | 31 | 22 | 1.5 | 0.381 | 50 |
| SS316L PFNFJCO5050 | 54 × 2" BSP | 116 | 36 | 27 | 1.5 | 0.634 | 24 |

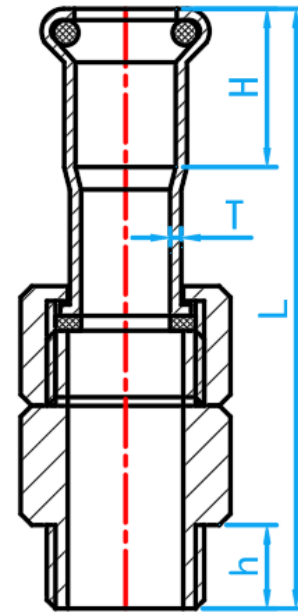
STAINLESS STEEL 316L PRESS FIT FITTINGS (M PROFILE)

COMPLY WITH BSEN1254-2: 1998

MALE JOINT CONNECTOR



A Product of the nPressGuard® Solution



CROSS SECTIONAL VIEW

STANDARD SPECIFICATION

| | |
|---------------------|------------------------------------|
| Working Pressure | 16 Bar |
| Working Temperature | 0 ~ 85°C |
| Applications | Hot and cold potable water system. |

DIMENSIONS

| SKU | SIZE (mm x inch) | L (mm) | H (mm) | h (mm) | T (mm) | WEIGHT (kg) | PCS/CTN |
|---------------------|---------------------|-----------|-----------|-----------|-----------|----------------|---------|
| SS316LPFNMJC01515 | 15 × 1/2" BSPT | 88 | 20 | 15 | 1.5 | 0.110 | 180 |
| SS316LPFNMJC02020 | 22 × 3/4" BSPT | 87 | 21 | 17 | 1.5 | 0.157 | 150 |
| SS316LPFNMJC02525 | 28 × 1" BSPT | 96 | 23 | 19 | 1.5 | 0.225 | 70 |
| SS316LPFNMJC03525 | 35 × 1" BSPT | 96 | 26 | 19 | 1.5 | 0.230 | 60 |
| SS316LPFNMJC03535 | 35 × 1 1/4" BSPT | 100 | 26 | 21 | 1.5 | 0.302 | 60 |
| SS316LPFNMJC04225 | 42 × 1" BSPT | 115 | 31 | 19 | 1.5 | 0.275 | 34 |
| SS316LPFNMJC04242 | 42 × 1 1/2" BSPT | 107 | 31 | 22 | 1.5 | 0.430 | 34 |
| SS316LPFNMJC05025 | 54 × 1" BSPT | 125 | 36 | 19 | 1.5 | 0.315 | 24 |
| SS316LPFNMJC05050 | 54 × 2" BSPT | 130 | 36 | 27 | 1.5 | 0.620 | 24 |
| SS316LPFNMJC06565 | 67 × 2 1/2" BSPT | 165 | 50 | 30 | 1.8 | 0.670 | 10 |
| SS316LPFNMJC08080* | 76 × 3" BSPT | 180 | 51 | 33 | 2.0 | 1.440 | 5 |
| SS316LPFNMJC100100* | 108 × 4" BSPT | 250 | 75 | 38 | 2.0 | 2.760 | 6 |

*This item requires special ordering. Please consult with a salesperson for the estimated lead time.

STAINLESS STEEL 316L PRESS FIT FITTINGS

COMPLY WITH BSEN1254-2: 1998

FLANGE SOCKET

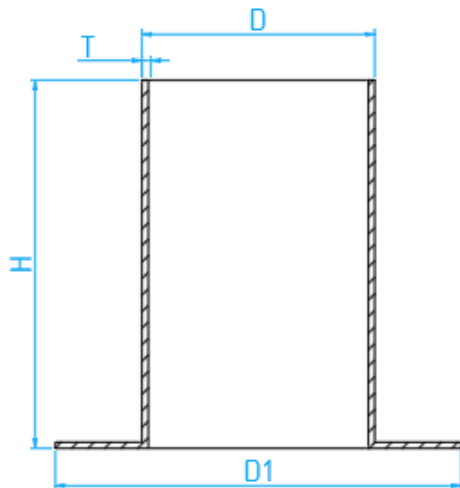


A Product of the nPressGuard® Solution

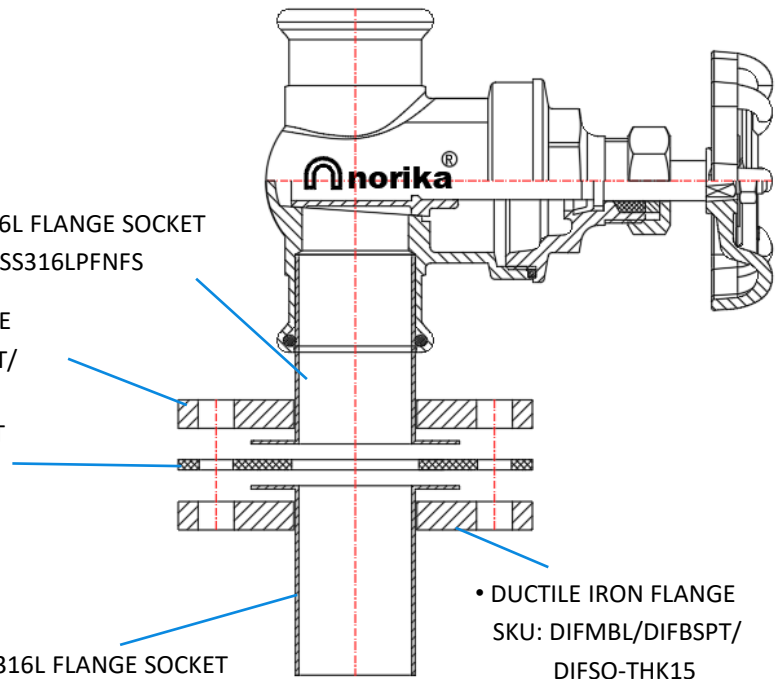


- SS316L FLANGE SOCKET
SKU:SS316LPFNFS

- DUCTILE IRON FLANGE
SKU: DIFMBL/DIFBSPT/
DIFSO-THK15
- EPDM RUBBER GASKET
SKU: RFGN-PUB



CROSS SECTIONAL VIEW



- SS316L FLANGE SOCKET
SKU:SS316LPFNFS

- DUCTILE IRON FLANGE
SKU: DIFMBL/DIFBSPT/
DIFSO-THK15

INSTALLATION ASSEMBLY

STANDARD SPECIFICATION

| | |
|---------------------|------------------------------------|
| Working Pressure | 16 Bar |
| Working Temperature | 0 ~ 85°C |
| Applications | Hot and cold potable water system. |

DIMENSIONS

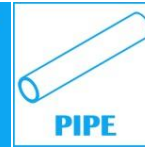
| SKU | DN (mm) | D (mm) | D1 (mm) | H (mm) | T (mm) | WEIGHT (kg) | PCS/CTN |
|----------------|---------|--------|---------|--------|--------|-------------|---------|
| SS316LPFNFP042 | 42 | 42.07 | 97 | 90 | 1.5 | 0.265 | 30 |
| SS316LPFNFP050 | 54 | 54.07 | 107 | 100 | 1.5 | 0.352 | 45 |
| SS316LPFNFP065 | 67 | 66.75 | 127 | 140 | 1.8 | 0.635 | 19 |
| SS316LPFNFP080 | 76 | 76.30 | 142 | 150 | 2.0 | 0.780 | 14 |
| SS316LPFNFP100 | 108 | 108.25 | 160 | 190 | 2.0 | 1.180 | 8 |

STAINLESS STEEL 316L PRESSFIT SINGLE SIDED MANIFOLDS

COMPLY WITH BSEN1254-2: 1998

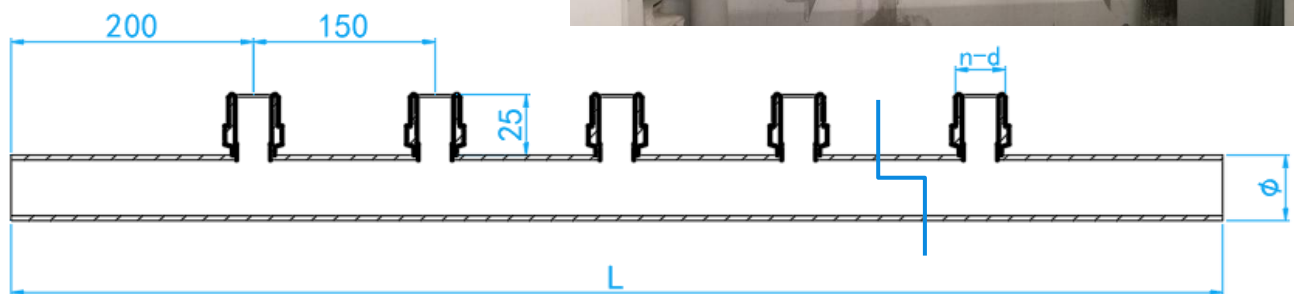


A Product of the nPressGuard® Solution



* Size could be customized.

ACTUAL APPLICATION



CROSS SECTIONAL VIEW

STANDARD SPECIFICATION

| | |
|---------------------|------------------------------------|
| Working Pressure | 16 Bar |
| Working Temperature | 0 ~ 85°C |
| Applications | Hot and cold potable water system. |

DIMENSIONS

| SKU | ∅ × Thickness (mm) | n-d | L (mm) | WEIGHT (kg) |
|--------------------|--------------------|----------------|--------|-------------|
| SS316LNM05015MX03* | 54 × 1.5 | 3NOS -G1/2" MI | 700 | 1.395 |
| SS316LNM05015MX04* | 54 × 1.5 | 4NOS -G1/2" MI | 850 | 1.715 |
| SS316LNM05015MX05* | 54 × 1.5 | 5NOS -G1/2" MI | 1000 | 2.050 |

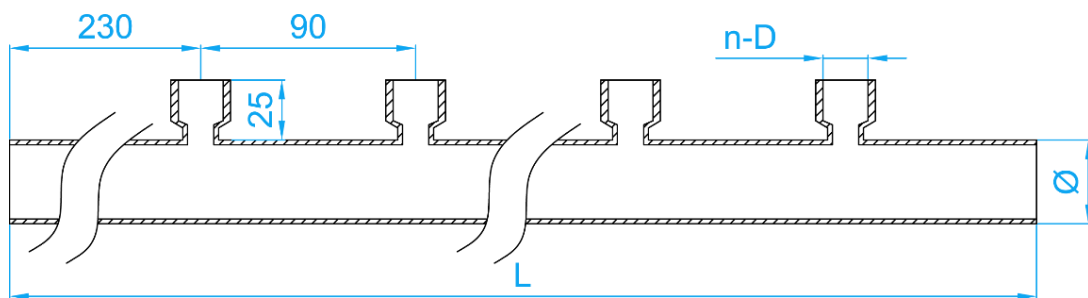
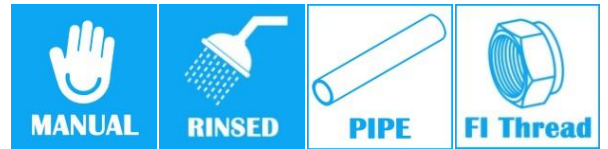
*This item requires special ordering. Please consult with a salesperson for the estimated lead time.

STAINLESS STEEL 316L PRESSFIT SINGLE SIDED MANIFOLDS

COMPLY WITH BSEN1254-2: 1998



A Product of the nPressGuard[®] Solution



CROSS SECTIONAL VIEW

STANDARD SPECIFICATION

| | |
|---------------------|------------------------------------|
| Working Pressure | 16 Bar |
| Working Temperature | 0 ~ 85°C |
| Applications | Hot and cold potable water system. |

* Size could be customized.

DIMENSIONS

| SKU | Ø × Thickness (mm) | n-D | L (mm) | WEIGHT (kg) |
|--------------------|--------------------|----------------|--------|-------------|
| SS316LNM03515FX04* | 35 × 1.5 | 4NOS -G1/2" FI | 1000 | 1.450 |

*This item requires special ordering. Please consult with a salesperson for the estimated lead time.

Built For Water

Main Office

133 Kitchener Road
Singapore 208517

Mon-Fri: 8:00am - 5:30pm
Sat: 8:00am - 1:00pm
Sun & PH: Closed

North Office

10 Admiralty Street, North
Link Building #02-45
Singapore 757695

Mon-Fri: 8:00am - 5:00pm
Sat: 8:00am - 1:00pm
Sun & PH: Closed