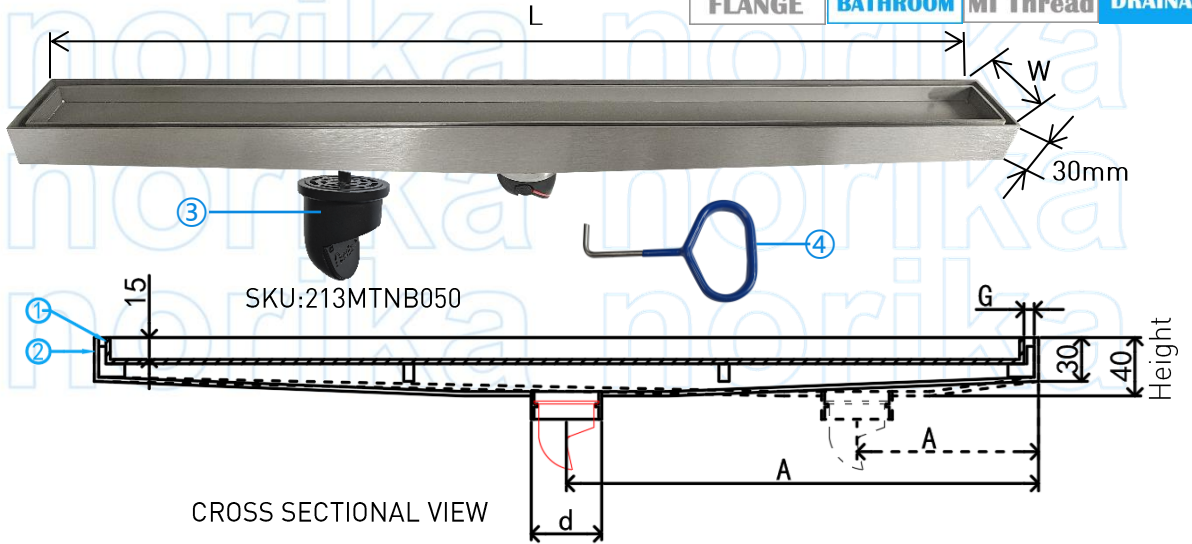
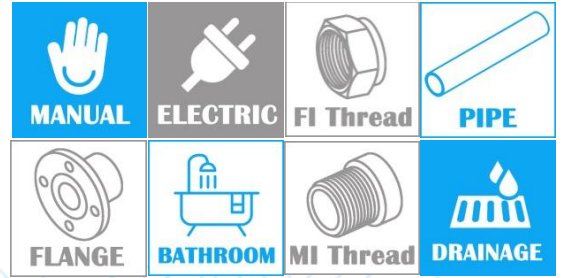


LINEAR SHOWER DRAIN (FOR 12MM THK TILING)



Made from **3mm** thick materials with a reinforced main body, providing exceptional sturdiness and durability.



INSTALLATION EFFECT

COMPONENT PARTS

| ITEM | PARTS | MATERIAL |
|------|--------|-----------------------|
| 1 | Tray | AISI304 / AISI316L |
| 2 | Frame | AISI304 / AISI316L |
| 3 | Filter | UPVC (SKU:213MTNB050) |
| 4 | Key | AISI304 / AISI316L |

CHARACTERISTIC

| | |
|-------------------|---|
| Main function | Drainage, sealing |
| Surface treatment | Hairline |
| Applications | Sleek and modern linear shower drain, ideal for use in residences, hotels, apartments, office buildings, HDB units, and villas. |

DIMENSIONS

| SKU | W (mm) | L (From 300 to 2000 mm) | G (mm) | A (mm) | Height (mm) | Thick (mm) | d (mm) | WEIGHT (Kg) | PCS/CTN |
|-------------------|--------|-------------------------|--------|----------------|-------------|------------|--------|-------------|---------|
| SMARTL-0550600TC* | 55 | 600 | 5 | 325 | 40 | 3 | 48.5 | - | 1 |
| SMARTL-0550900TC* | | 900 | | 450 | | | | - | 1 |
| SMARTL-055— TS* | | Customizable | | Centre or Edge | | | | - | 1 |
| SMARTL-0760600TC* | 76 | 600 | 5 | 325 | 40 | 3 | 48.5 | 3.225 | 1 |
| SMARTL-0760900TC* | | 900 | | 450 | | | | - | 1 |
| SMARTL-076— TS* | | Customizable | | Centre or Edge | | | | - | 1 |
| SMARTL-1000600TC* | 100 | 600 | 5 | 325 | 40 | 3 | 48.5 | - | 1 |
| SMARTL-1000900TC* | | 900 | | 450 | | | | - | 1 |
| SMARTL-100— TS* | | Customizable | | Centre or Edge | | | | - | 1 |

*This item requires special ordering. Please consult with a salesperson for the estimated lead time. If customization is requested, please provide the dimensions for W, L, A, and d.