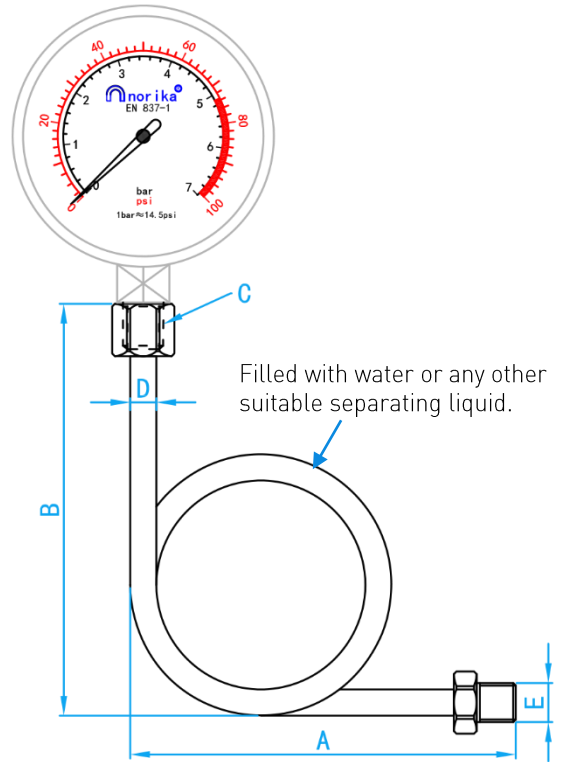
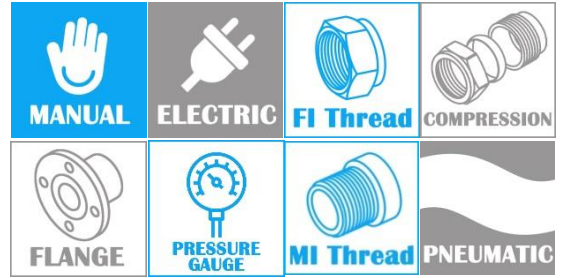


# STAINLESS STEEL PRESSURE GAUGE BUFFER TUBE/ SYPHON



SIDE VIEW

## COMPONENT PARTS

ITEM	PARTS	MATERIAL
1	Body	Stainless Steel 304

## STANDARD SPECIFICATIONS

SKU	A (mm)	B (mm)	C (inch)	D (mm)	E (inch)	WEIGHT (kg)	PCS/CTN
PGABT006D90	118	126	¼" BSPT	8	¼" BSPT	0.200	-

\* Pressure gauge syphons are used to protect the pressure gauge from the effect of hot pressure media such as steam by reducing the service temperature of process fluid entering the gauge so the measuring element is exposed to lower temperature. The pressure medium condensates and is collected inside the syphon. The condensate prevents the hot media from coming in direct contact with the pressure instrument. When the syphon is first installed, it should be filled with water or any other suitable separating liquid.