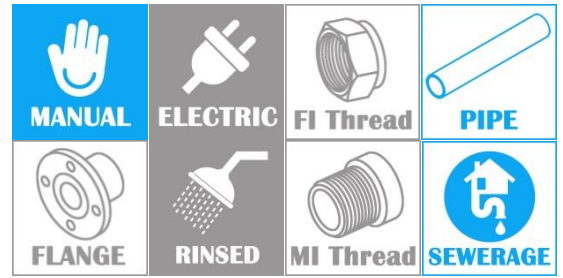


CAST IRON HUBLESS PIPE & ACCESS OPENING

COMPLY WITH CISPI 301-12
CISPI 310-12



PIPES



DIMENSIONS

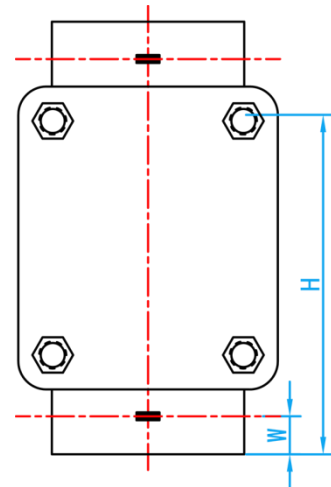
SKU	SIZE (mm)	D (mm)	d (mm)	L (mm)	WEIGHT(kg)
PIPHUB050	50	69.59	50.8	3000	14.5
PIPHUB080	75	85.09	76.21	3000	19.5
PIPHUB100	100	111.25	101.6	3000	28.2
PIPHUB150	150	160.02	150.88	3000	45.8
PIPHUB200	200	212.85	201.68	3000	69.0
PIPHUB250	250	268.0	250.0	3000	117.0
PIPHUB300	300	317.5	303.28	3000	130.0

COATING CHARACTERISTIC

Pipes:

- The inner wall of the tube: Black anti-corrosive paint.
- The outer wall of the tube: Special enamel paint.
- Coating Thickness: Internal wall min 40µm, Outer wall min 60µm .

ACCESS OPENING



DIMENSIONS

SKU	SIZE (mm)	H (mm)	W (mm)	WEIGHT (kg)
HUBSP050	50	300	30	1.86
HUBSP080	75	300	30	2.44
HUBSP100	100	340	40	7.32
HUBSP150	150	400	45	12.30
HUBSP200	200	470	50	19.35

COATING CHARACTERISTIC

Fittings:

- Inside and outside: Anti-corrosive paint.
- Coating Thickness: Internal wall min 40µm, outer wall min 40µm.