

DUCTILE IRON HEAVY DUTY AIRTIGHT & WATERTIGHT MANHOLE COVER & FRAME

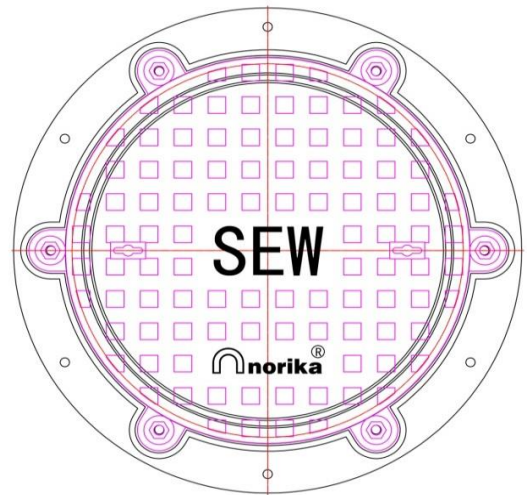


COMPLY WITH BSEN 124:1994[400KN]
SS30:1999(2012)
BS 9124:2008

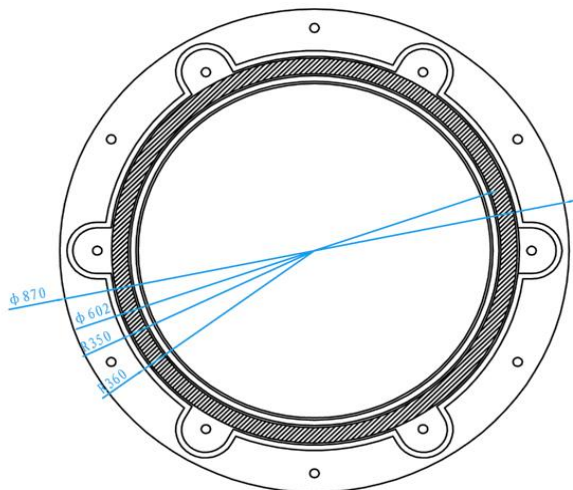
Type of Weight (Symbol)	SS30 Grade	Design Load	Place of Installation	BSEN124	Design Load
	A1	400KN	In carriageways of expressways, arterial, industrial roads and parking areas for all types of road vehicles.	D400	400KN



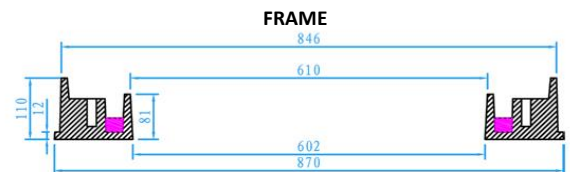
COVER AND FRAME ASSEMBLY



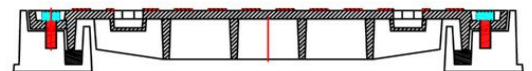
TOP VIEW



TOP VIEW



SIDE CROSS SECTIONAL VIEW



COVER AND FRAME SIDE CROSS SECTIONAL VIEW

DIMENSIONS

SKU	MATERIAL	INTERNAL OPENING (mm)	EXTERNAL (mm)	HEIGHT (mm)	WEIGHT (kg)	Remarks/ Optional
DIMCATD400-R0600	Ductile Iron	Ø600	Ø870	110	155	Airtight & Watertight