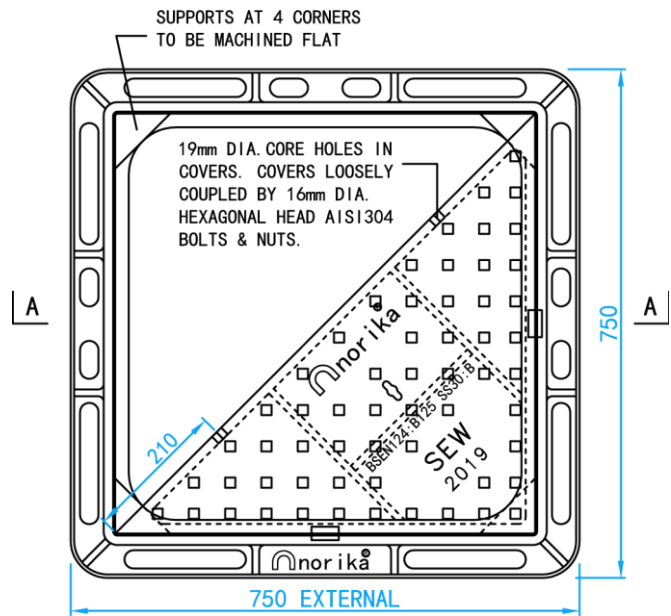
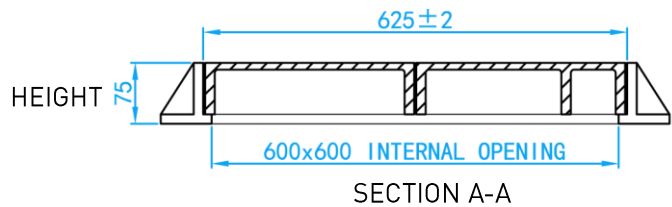


DUCTILE IRON MEDIUM DUTY MANHOLE COVER & FRAME



COMPLY WITH BSEN124:1994 (125KN)
SS30:1999

Type of Weight (Symbol)	SS30 Grade	Design Load	Place of Installation	BSEN124	Design Load
	B	125KN	On footways where it is possible for a vehicle to mount or occasionally open to light vehicle to use and car parking decks.	B125	125KN



DIMENSIONS

SKU	MATERIAL	INTERNAL OPENING (mm)	EXTERNAL (mm)	HEIGHT (mm)	WEIGHT (kg)	Remarks/ Optional
DIMDMC / DIMDMCSEW	Ductile Iron	600X600	750 X 750	75	49	Medium Duty/ Medium Duty With "SEW" Label

*Please specify with or without raised "SEW" lettering when placing order.