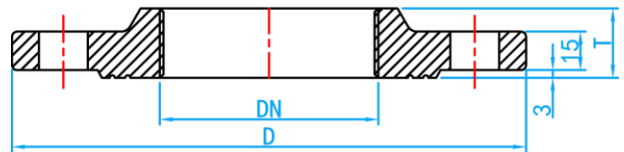
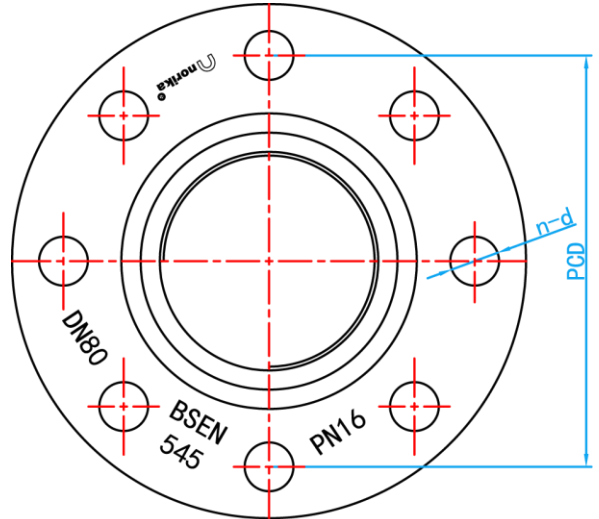
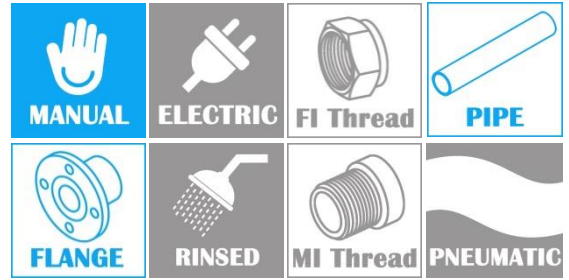


HEAVY DUTY DUCTILE IRON HV THREAD SCREW ON FLANGE

COMPLY WITH BSEN545



CROSS SECTIONAL VIEW

COMPONENT PARTS

PARTS	MATERIAL
Flange	DUCTILE IRON

DIMENSIONS

SKU	SIZE (mm)	DN (mm)	PCD (mm)	n-d (mm)	D (mm)	T (mm)	WEIGHT (kg)
DIFHV080	80	3"	160	8-18	200	27.0	2.80
DIFHV100	100	4"	180	8-18	220	29.5	3.10
DIFHV150	150	6"	240	8-22	280	31.0	5.00