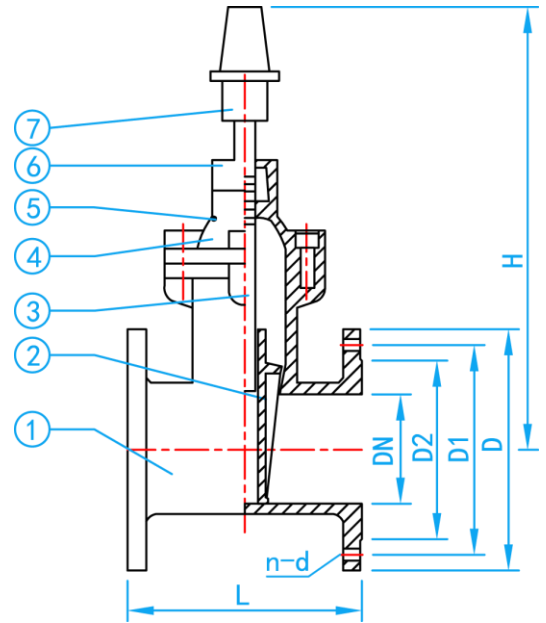
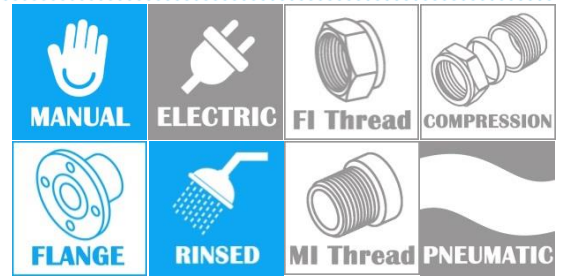


DUCTILE IRON SLUICE VALVE [CLOCKWISE-TO-OPEN] NON RISING STEM

COMPLY WITH BS5163-1 : 2004
 BSEN1074-1 : 2000
 AS/ZNS4020 : 2005
 SS375 : 2015
 BSEN545 : 2010
 SS 270:2015



CROSS SECTIONAL VIEW

STANDARD SPECIFICATIONS

Nominal Pressure	PN16
Sealing Test Pressure	1.76Mpa
Strength Test Pressure	2.4Mpa
Operating Temperature	- 20°~ 85°C

COMPONENT PARTS

ITEM	PARTS	MATERIAL
1	Body	Ductile Iron
2	Disc	Ductile Iron with EPDM
3	Stem	Stainless Steel
4	Bonnet	Ductile Iron
5	O-ring	EPDM
6	Gland	Ductile Iron
7	Cap	Ductile Iron

DIMENSIONS

SKU	SIZE (mm)	L (mm)	D (mm)	D1 (mm)	D2 (mm)	n-d (mm)	H (mm)	WEIGHT (kg)
SVDIN100PUB	100	229	220	180	156	8-18	325	17.1
SVDIN150PUB	150	267	285	240	211	8-22	429	35.6
SVDIN200PUB	200	292	340	295	266	12-22	533	56.0
SVDIN250PUB	250	330	405	355	319	12-26	620	83.8
SVDIN300PUB	300	356	460	410	370	12-26	691	114.5