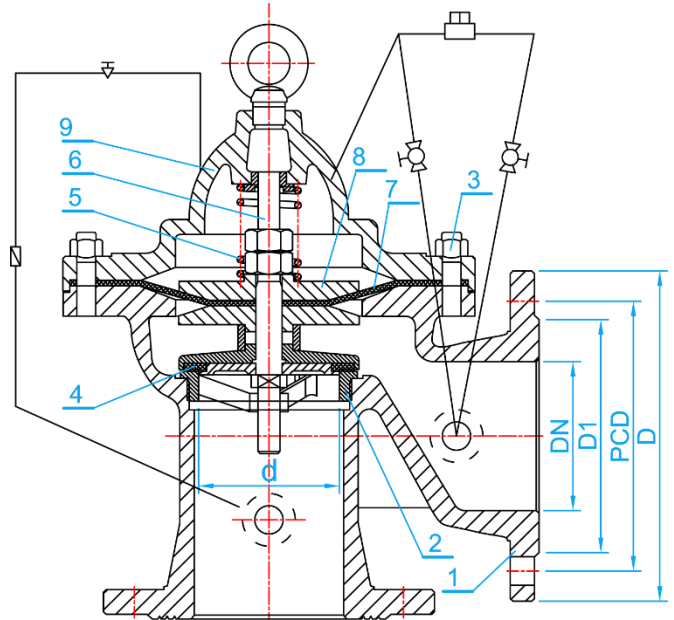
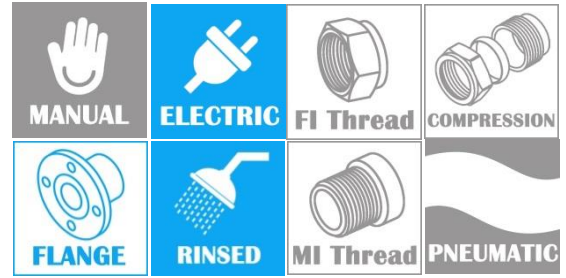
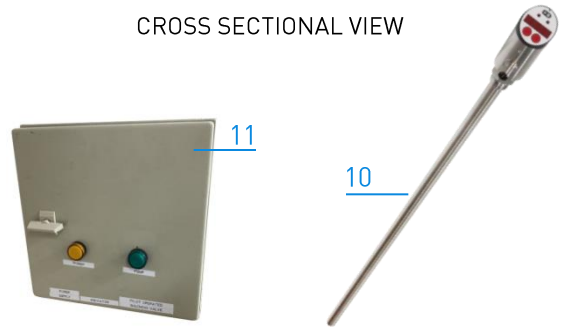


# DUCTILE IRON SOLENOID PILOT OPERATED VALVE

COMPLY WITH BS 1212-2:1990  
 BS EN 1092-2:1997  
 AS/NZS 4020:2005  
 BS EN 12165:2016  
 BS EN 545:2010  
 SS 375:2001 & SS 375:2015  
 SS 270:2015


**CROSS SECTIONAL VIEW**
**COMPONENT PARTS**

ITEMS	PARTS	MATERIAL
1	Body	Ductile Iron
2	Valve Seat	Brass
3	Bolt and Nut	AISI304
4	O-ring	NBR
5	Spring	AISI304
6	Stem	AISI304
7	Diaphragm	NBR
8	Diaphragm Press Plate	Brass
9	Bonnet	Ductile Iron
10	Water Tank Level Sensor	AISI304
11	AC to DC converter box	-


**ACCESSORIES**
**STANDARD SPECIFICATIONS**

Nominal Pressure	1.6Mpa
Working Medium	Water
Working Temperature	-10 ≤ t ≤ 80°C

**DIMENSIONS**

SKU	DN (mm)	d (mm)	D1 (mm)	PCD (mm)	D (mm)	No. of Bolt And Aperture (mm)	WEIGHT (kg)	PCS/CTN
SPOVN080	80	65	132	160	200	8-19	21	1
SPOVN100	100	80	156	180	220	8-19	36	1