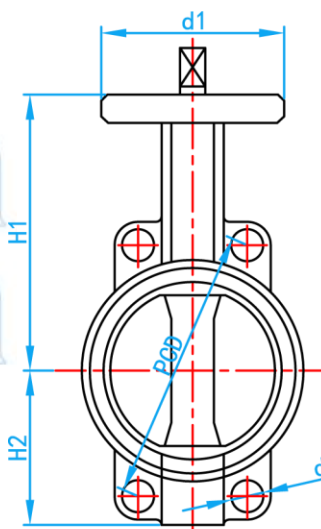
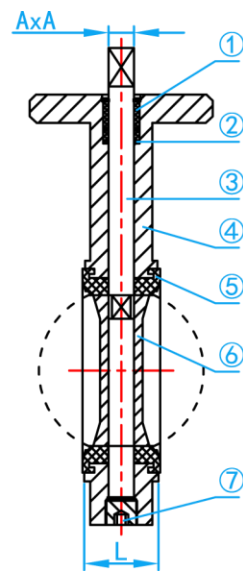


DUCTILE IRON BUTTERFLY VALVE

COMPLY WITH BSEN593:2004
 BSEN558-1:1996
 BSEN12266-1:2003



SIDE VIEW



CROSS SECTIONAL VIEW

COMPONENT PARTS

| ITEM | PARTS | MATERIAL |
|------|-----------|-----------------|
| 1 | Sleeve | Teflon |
| 2 | O-ring | NBR |
| 3 | Stem | AISI304 |
| 4 | Body | Ductile Iron |
| 5 | Seal Ring | EPDM |
| 6 | Disc | Ductile Iron |
| 7 | Screw | Stainless steel |

STANDARD SPECIFICATIONS

| | |
|------------------------|-------------|
| Nominal Pressure | PN16 |
| Sealing Test Pressure | 1.76Mpa |
| Strength Test Pressure | 2.4Mpa |
| Suitable Temperature | - 10°~120°C |

DIMENSIONS

| SKU | SIZE (mm) | H1 (mm) | H2 (mm) | L (mm) | PCD (mm) | d1 (mm) | AxA (mm) | d (mm) | WEIGHT (kg) |
|----------|-----------|---------|---------|--------|----------|---------|----------|--------|-------------|
| BTFVN050 | 50 | 161 | 80 | 42.0 | 125 | 90 | 9x9 | 18 | 3.8 |
| BTFVN065 | 65 | 175 | 90 | 44.0 | 145 | 90 | 9x9 | 18 | 4.3 |
| BTFVN080 | 80 | 181 | 95 | 48.0 | 160 | 90 | 11x11 | 18 | 5.5 |
| BTFVN100 | 100 | 200 | 114 | 52.0 | 180 | 90 | 12x12 | 18 | 6.3 |
| BTFVN125 | 125 | 213 | 127 | 56.0 | 210 | 90 | 14x14 | 18 | 8.5 |
| BTFVN150 | 150 | 226 | 140 | 56.0 | 240 | 90 | 14x14 | 22 | 10.8 |
| BTFVN200 | 200 | 260 | 175 | 60.0 | 295 | 90 | 17x17 | 22 | 17.0 |
| BTFVN250 | 250 | 292 | 203 | 68.0 | 355 | 125 | 20x20 | 26 | 24.0 |
| BTFVN300 | 300 | 337 | 242 | 78.0 | 410 | 125 | 22x22 | 26 | 35.0 |