

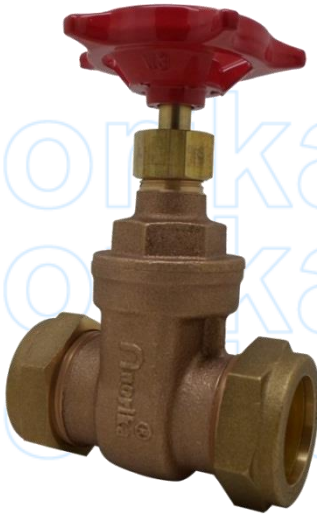
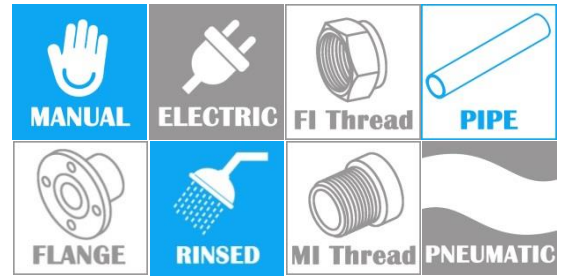
BRONZE GATE VALVE WITH COMPRESSION END

COMPLY WITH BS 5154

AS/NZS 4020

BS EN 12165

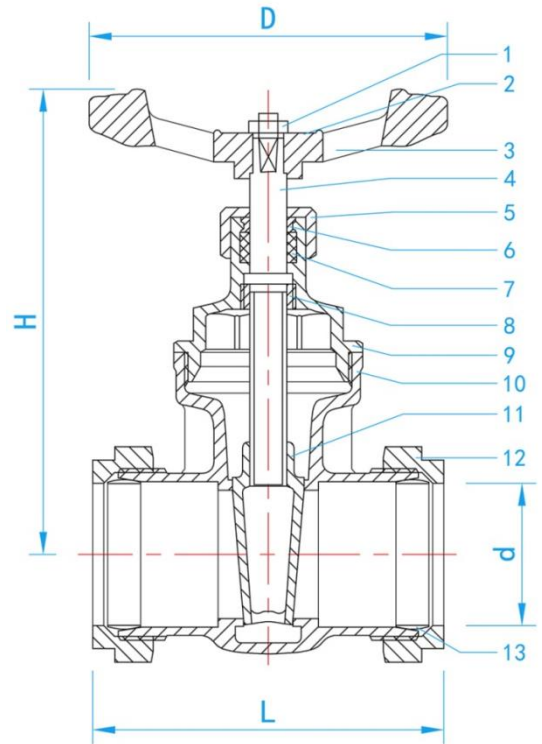
BS EN 1982



norika
norika
norika

COMPONENT PARTS

ITEM	PARTS	MATERIAL
1	Hand wheel Nut	Brass
2	Nameplate	Aluminum
3	Hand wheel	Aluminum
4	Stem	DZR Brass
5	Packing Nut	Brass
6	Stem Bush	Brass
7	Packing	P.T.F.E
8	Nut	DZR Brass
9	Bonnet	Bronze
10	Body	Bronze
11	Disc	Bronze
12	Nut	Brass
13	Clamp	Brass



SECTION VIEW

STANDARD SPECIFICATIONS

Nominal pressure	PN16
Working Medium	Water
Working Temperature	$t \leq 180\text{ }^{\circ}\text{C}$

DIMENSIONS

SKU	d (mm)	D (mm)	H (mm)	L (mm)	WEIGHT (kg)	PCS/CTN
GVCRCN015	15	60	77	68	0.289	120
GVCRCN020	22	60	88	78.5	0.436	72
GVCRCN025	28	70	104	83	0.586	40
GVCRCN035	35	75	116	96	0.841	32
GVCRCN042	42	95	137	103.5	1.228	20
GVCRCN050	54	105	164	125	2.08	8