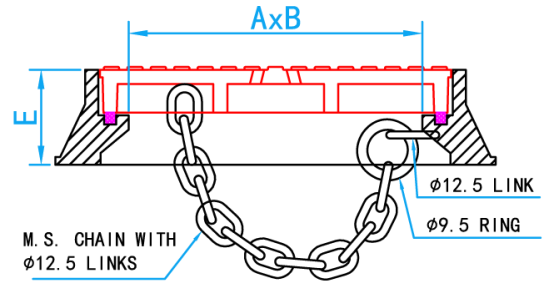


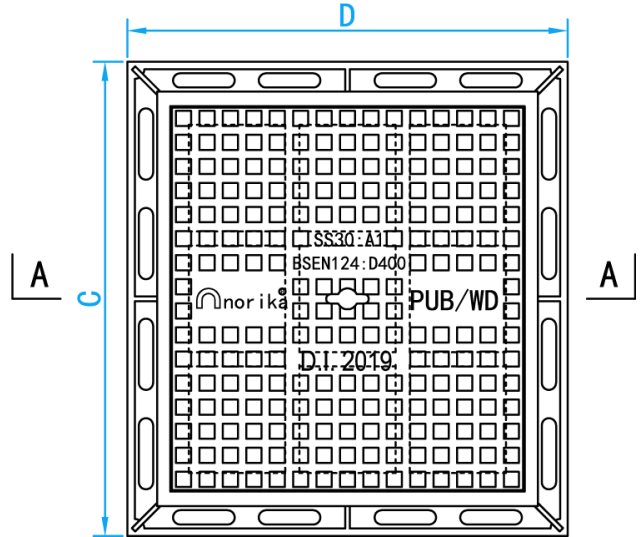
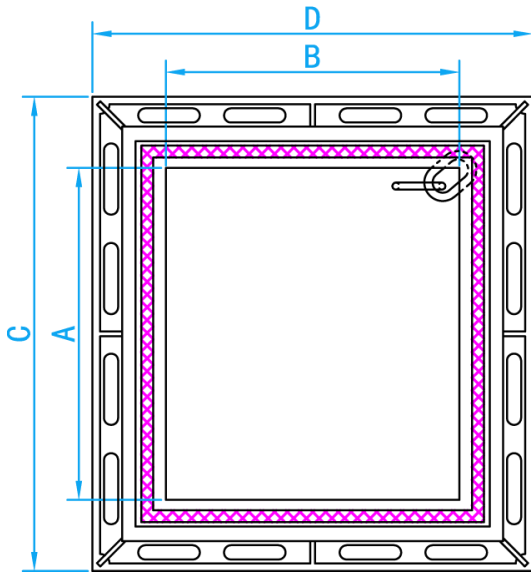
# HEAVY DUTY DUCTILE IRON [DOUBLE] VALVE BOX

COMPLY WITH SS30 : 1999 A1 Grade  
BSEN124: 1994 [400KN]

|                      |                                   |                                     |                                     |
|----------------------|-----------------------------------|-------------------------------------|-------------------------------------|
| <p><b>MANUAL</b></p> | <p>AIRTIGHTNESS</p> <p>TESTED</p> | <p>WATERTIGHTNESS</p> <p>TESTED</p> | <p><b>KN</b></p> <p>LOAD TESTED</p> |
|                      |                                   |                                     |                                     |



CROSS SECTIONAL A-A



TOP VIEW

STANDARD SPECIFICATION

| SKU        | MATERIAL     | INTERNAL OPENING<br>AxB (mm) | EXTERNAL CxD<br>(mm) | HEIGHT<br>E (mm) | WEIGHT<br>(kg) |
|------------|--------------|------------------------------|----------------------|------------------|----------------|
| DIDVB-D400 | Ductile Iron | 350x310                      | 500x465              | 100              | 31             |