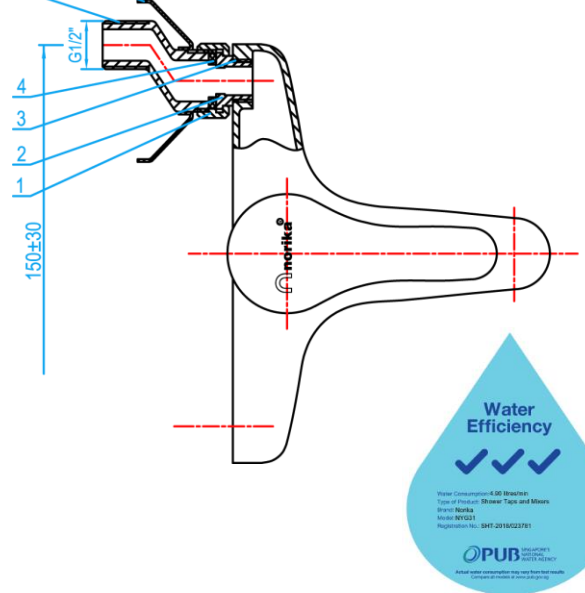
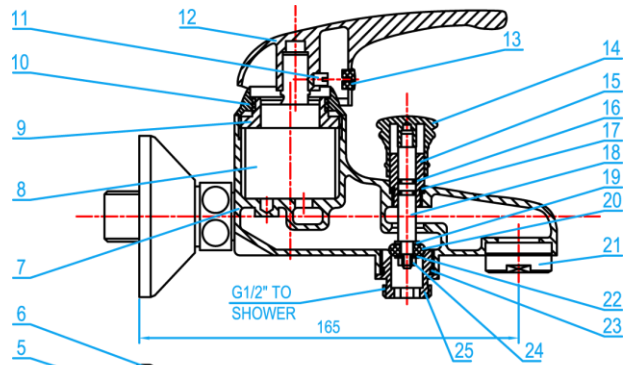
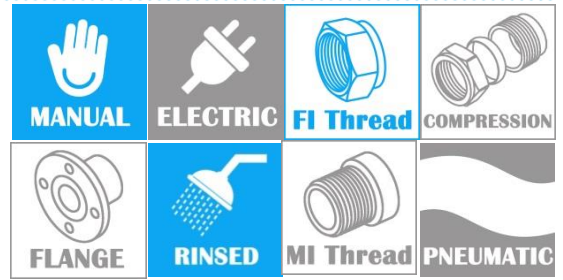


# WALL MOUNTED SINGLE LEVER LONG BATH MIXER

COMPLY WITH BSEN817:2008, BSEN248:2002, AS/NZS4020:2005, SS375 PART 1



SECTION VIEW

COMPONENT PARTS		
ITEM	PARTS	MATERIAL
1.	Connect Nut	Brass
2.	Connect Screw	Brass
3.	O-Ring	NBR
4.	Washer	NBR + AISI304
5.	Bolt	Brass
6.	Ornament Ring	Brass
7.	Body	Brass
8.	Cartridge	Plastic/Rubber/Ceramic
9.	Hold Down Nut	Brass
10.	Dome Cap	Brass
11.	Set Screw	SS304
12.	Handle	KirkSITE
13.	Index Cap	ABS
14.	Switch Handle	Brass
15.	Center Cover	Brass
16.	O-Ring	NBR
17.	O-Ring	NBR
18.	Switch Pole	Brass
19.	Washer	Brass
20.	Switch Washer	NBR
21.	Aerator	Brass/NBR/ABS
22.	Washer	Brass
23.	O-Ring	NBR
24.	Nut	Brass
25.	Tie-In	Brass

## STANDARD SPECIFICATION

Nominal Pressure	0.6Mpa
Working Temperature	$t \leq 90^{\circ}\text{C}$

## STANDARD SPECIFICATIONS

SKU	WATER SUPPLYING CALIBER	WEIGHT (kg)	PCS/CTN
NYG31	1/2" BSP	1.645	6