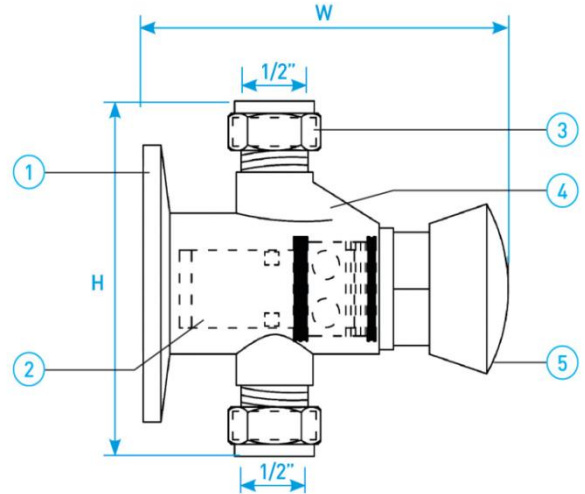


PRESSMATIC SELF CLOSING EXPOSED SHOWER TAP

COMPLY WITH BS5412:1996
 SS448 PART3:1998
 BSEN248:2002
 AS/NZS:4020:1999
 SS375:2001



SIDE CROSS SECTIONAL VIEW

CHARACTERISTIC

- Push-button tap with delayed shut-off action.
- Anti-liming, self-cleaning mechanism.
- Vandal-proof flow-control.

COMPONENT PARTS

ITEM	PARTS	MATERIAL
1.	Chrome Washer	Brass
2.	Piston	Brass
3.	Compression Ring	Copper
4.	Body	DZR Brass
5.	Push Cap	Stainless Steel

STANDARD SPECIFICATIONS

SKU	WATER CONSUMPTION	DELAY TIME	APPLICABLE WATER PRESSURE	DIMENSION [mm]	WEIGHT (kg)	PCS/CTN
DATNLG901	1.62 ~ 2L/Min	12s ≤ t ≤ 15s	0.05 ~0.8MPa	94.2 [H] x 105 [W]	0.84	30