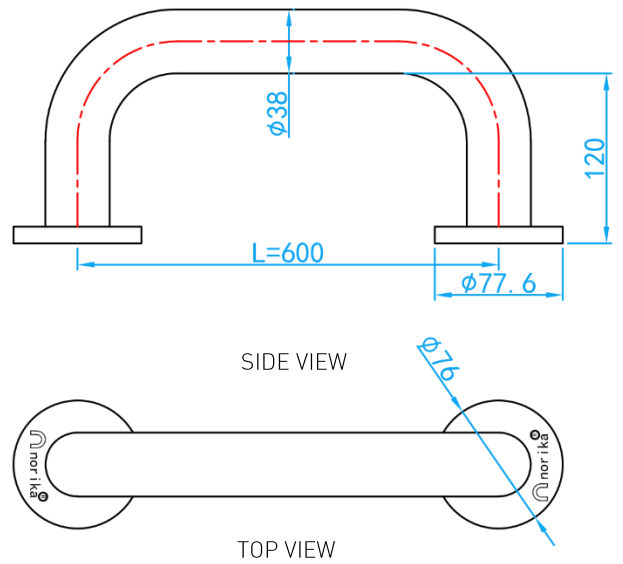


# STAINLESS STEEL HANDICAPPED GRAB BAR FOR URINAL BOWL



norika  
norika  
norika



## STANDARD SPECIFICATIONS

SKU	MATERIAL	L (mm)	PIPE DIAMETER (mm)	WEIGHT (kg)	PCS/CTN
SSGB0600U	AISI304	600	Ø38	0.8	10