

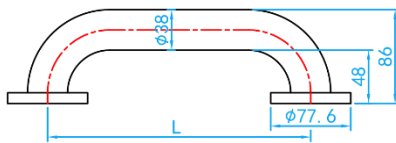
S/STEEL HANDICAPPED GRAB BAR FOR AMBULANT TOILET



TYPE B:SSGBV



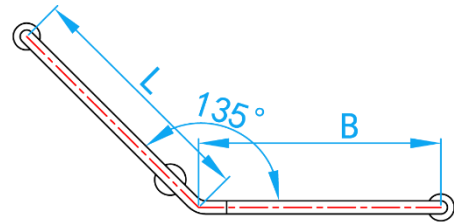
TYPE A:SSGB



TYPE A/B SIDE VIEW

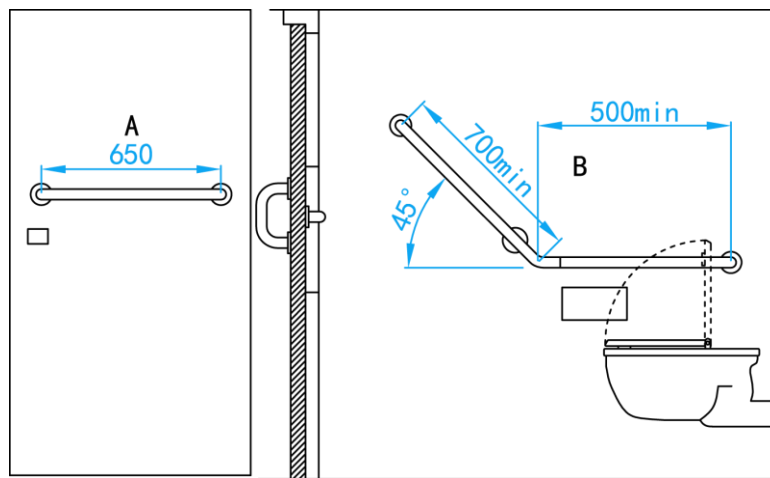


FOLDED JOINT



SIDE SECTIONAL VIEW

AMBULANT TOILET



STANDARD SPECIFICATIONS

SKU	MATERIAL	L (mm)	PIPE DIAMETER (mm)	WEIGHT (kg)	PCS/CTN
SSGBV700500	AISI304	700 (L) x 500 (B)	$\phi 38$	1.650	10
SSGBV700700	AISI304	700 (L) x 700 (B)	$\phi 38$	1.710	10
SSGB0650	AISI304	650	$\phi 38$	1.10	20