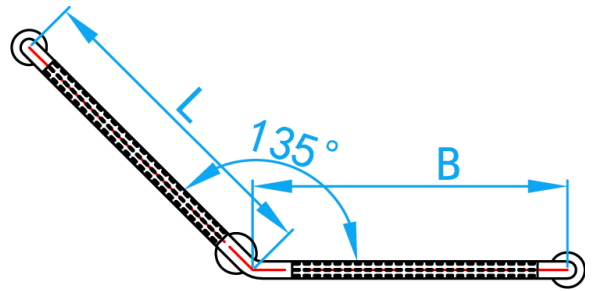


ANTIBACTERIAL S/STEEL HANDICAPPED GRAB BAR FOR AMBULANT TOILET

COMPLY WITH JIS Z 2801:2000



TYPE B : ABGBV

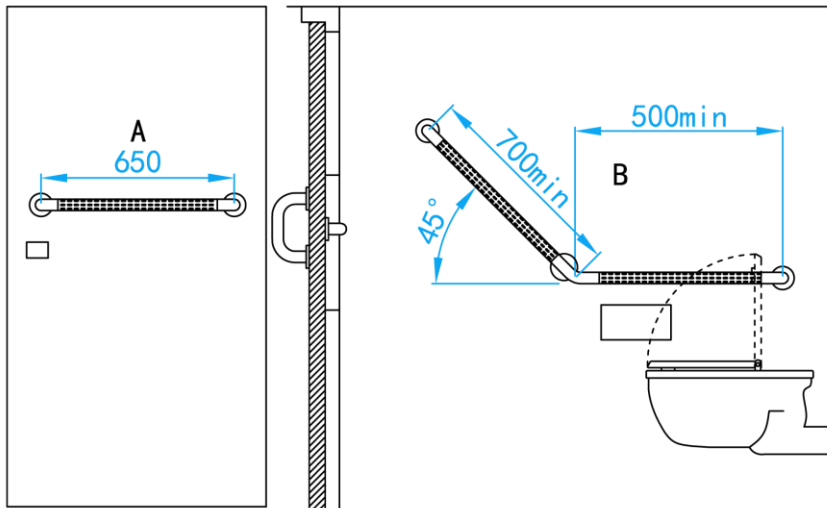


SIDE SECTION AL VIEW



TYPE A : ABGB

AMBULANT TOILET



STANDARD SPECIFICATIONS

SKU	MATERIAL	L (mm)	WEIGHT (kg)	PCS/CTN
ABGBV700500	AISI304 & NYLON	700 (L) x 500 (B)	1.900	10
ABGBV700700	AISI304 & NYLON	700 (L) x 700 (B)	2.085	10
ABGB0650	AISI304 & NYLON	650	1.15	20