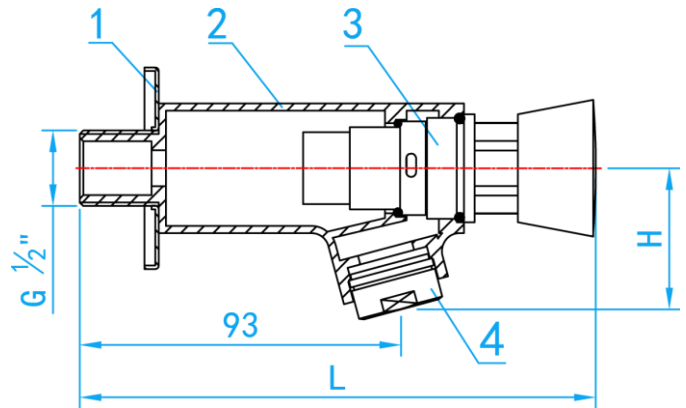
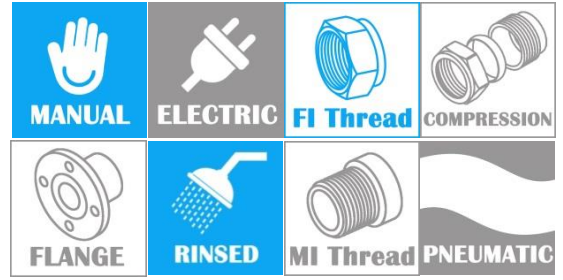


# PRESSMATIC BIB TAP DELAY ACTION WATER SAVING

COMPLY WITH BS EN 200:2008  
 BS EN 248:2002  
 AS/NZS 4020:2005  
 SS 375:2015  
 SS 270:2015



SIDE CROSS SECTIONAL VIEW

## CHARACTERISTIC

- Push-button tap with delayed shut-off action.
- Anti-liming, self-cleaning mechanism.
- Vandal-proof flow-control.

## COMPONENT PARTS

ITEM	PARTS	MATERIAL
1	Cover	AISI304
2	Body	DZR Brass
3	Piston	PPS/ Brass/ EPDM/ NBR
4	Aerator	Brass/ EPDM/ POM

## STANDARD SPECIFICATIONS

SKU	WATER CONSUMPTION	DELAY TIME	APPLICABLE WATER PRESSURE	L (mm)	H (mm)	WEIGHT [kg]	PCS/CTN
DATNML901	3.1 L/Min	$2s \leq t \leq 3s$	0.05 ~ 0.8MPa	145	40	0.395	50