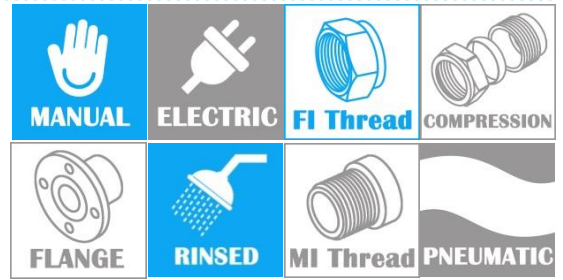
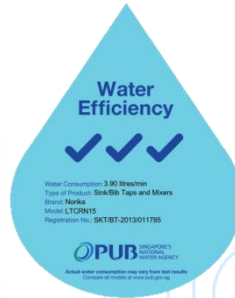


RED HANDLE & STAINLESS STEEL HANDLE BRASS CR LOCKABLE UNION TAP

COMPLY WITH BSEN200:2008
SS75:PART2:1978



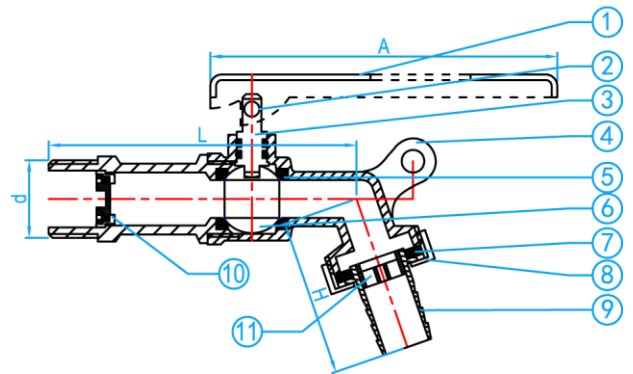
LTCRN15R



LTCRN15

COMPONENT PARTS

ITEM	PARTS	MATERIAL
1	Handle	Zinc Alloy & SS304
2	Pin	AISI304
3	Stem	DZR Brass
4	Body	Chrome-plated DZR Brass
5	Seat	Teflon
6	Ball	Chrome-plated DZR Brass
7	Ring	NBR
8	Nut	Chrome-plated DZR Brass
9	Valve	Chrome-plated DZR Brass
10	Flow Regulator	ABS
11	Diverter	PVC



CROSS SECTIONAL VIEW

DIMENSIONS

SKU	SIZE (mm)	A (mm)	L (mm)	d (mm)	H (mm)	WEIGHT (Kg)	HANDLE	PCS/CTN
LTCRN15	15	92	70.5	½"BSPT	44.5	0.224	SS304	100
LTCRN15R	15	92	70.5	½"BSPT	44.5	0.205	Zinc Alloy	100

*Please specify "Red Handle" or "Stainless Steel Handle", upon placing order.