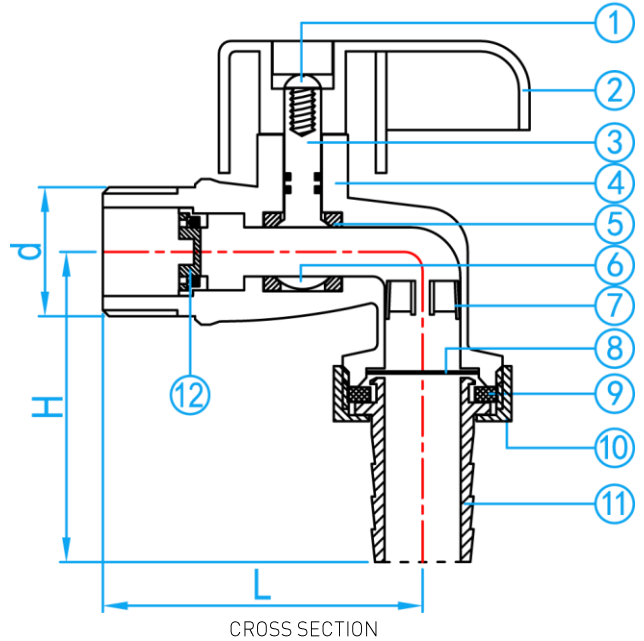
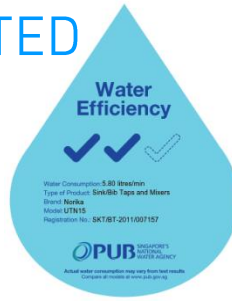


# BRASS CR HOSE UNION TAP C/W CHROME PLATED

COMPLY WITH BSEN12165:1998  
BSEN200:2008



### COMPONENT PARTS

ITEM	PARTS	MATERIAL
1	Screw	AISI304
2	Handle	ABS
3	Stem	DZR Brass
4	Body	Chrome-plated DZR Brass
5	Seat	Teflon
6	Ball	Chrome-plated DZR Brass
7	Diverter	Teflon
8	Filter	AISI304
9	Ring	NBR
10	Nut	Chrome-plated DZR Brass
11	Valve	Chrome-plated DZR Brass
12	Flow Regulator	ABS

### STANDARD SPECIFICATIONS

Working Pressure	200Psi
ABS Handle Typical Lifespan	1 to 2 years depending on condition of environment

### DIMENSIONS

SKU	SIZE (mm)	d (mm)	H (mm)	L (mm)	WEIGHT (kg)	PCS/CTN
UTN15	15	½"BSPT	50.5	52	0.160	100