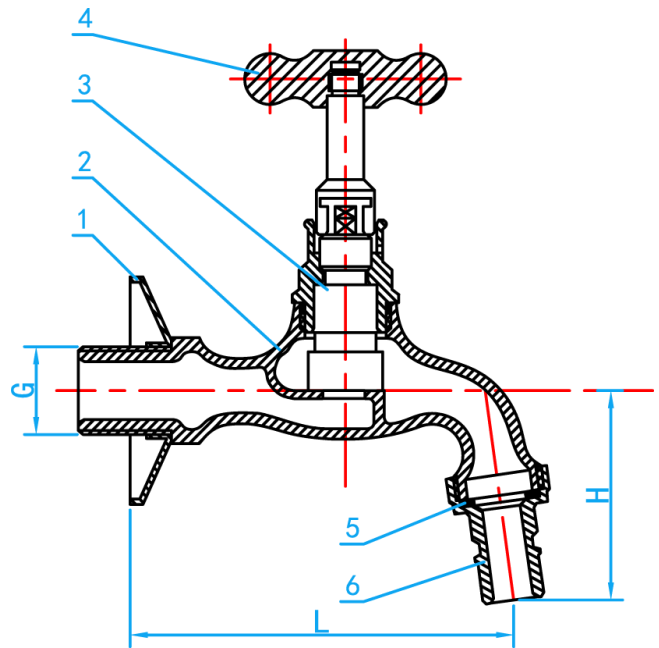
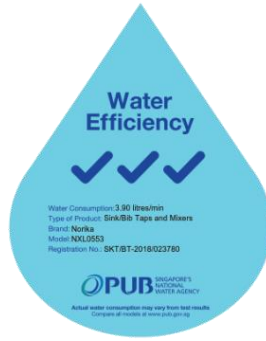
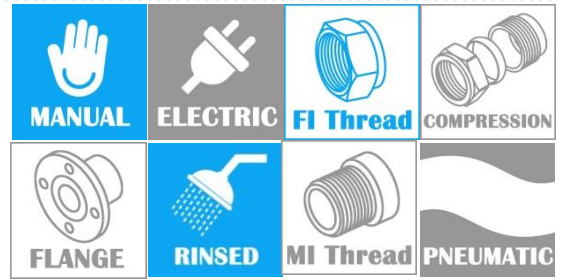


CHROME PLATED LOOSE KEY TAP

COMPLY WITH BS EN200:2008
BSEN248:2002
AS/NZS:4020:2005
SS375:2001 Part 1



SECTION VIEW

COMPONENT PARTS

ITEM	PARTS	MATERIAL
1	Decorative cover	Stainless Steel
2	Body	Brass
3	Piston	Ceramic + Brass
4	Handle	Brass
5	Washer	EPDM
6	Outlet Joint	Brass

STANDARD SPECIFICATIONS

Nominal pressure	0.6MPa
Working Medium	Water
Working Temperature	0°C ≤ t ≤ 90 °C

SPECIFICATIONS

SKU	G (mm)	L (mm)	H (mm)	WEIGHT (Kg)	PCS/CTN
NXL0553	1/2" BSP	96	52	0.295	60