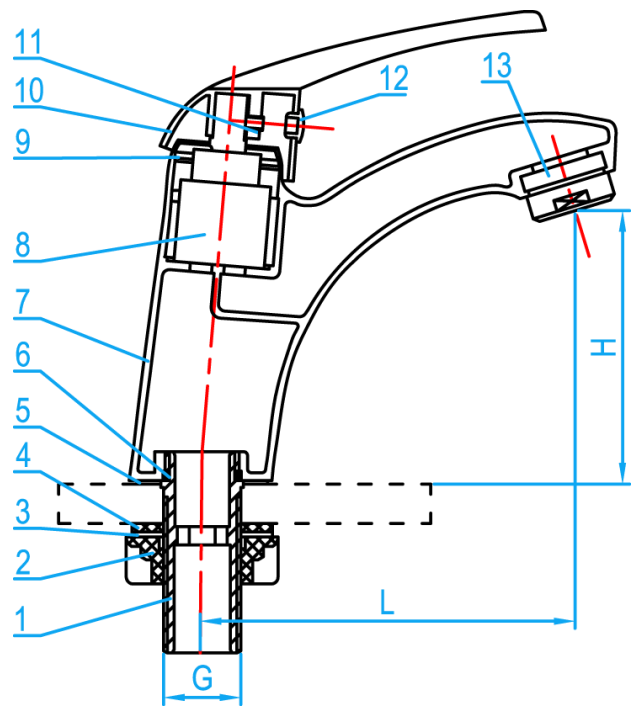
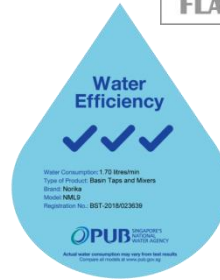
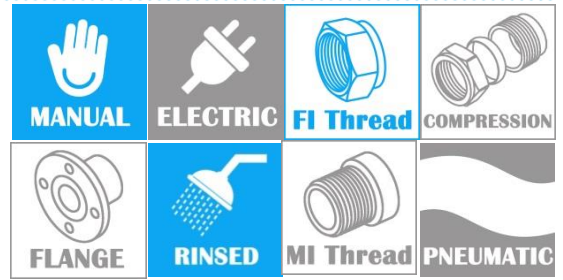


SINGLE LEVER COLD BASIN TAP

COMPLY WITH BS EN200:2008
BSEN248:2002
AS/NZS4020:2005
SS375 PART 1



SECTION VIEW

COMPONENT PARTS		
ITEM	PARTS	MATERIAL
1	Inlet Connector	Brass
2	Nut	Brass
3	Gasket	PTFE
4	Gasket	NBR
5	Gasket	NBR
6	O-Ring	NBR
7	Body	Brass
8	Piston	Ceramic+ Brass
9	Washer	Brass
10	Handle	Brass
11	Handle Screw	Brass
12	Blank Cap	ABS
13	Outlet Assembly	Rubber/ Brass

STANDARD SPECIFICATIONS	
Nominal pressure	0.6MPa
Working Medium	Water
Working Temperature	t ≤ 90 °C

SPECIFICATIONS

SKU	G (inch)	L (mm)	H (mm)	WEIGHT (Kg)	PCS/CTN
NML9	1/2" BSP	105	77.8	0.685	40