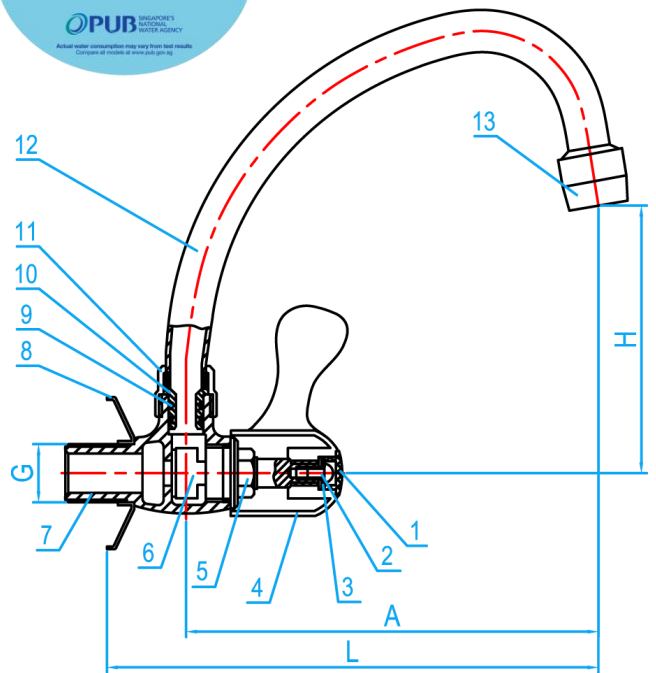
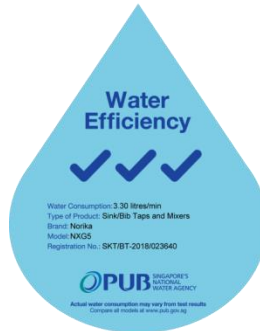
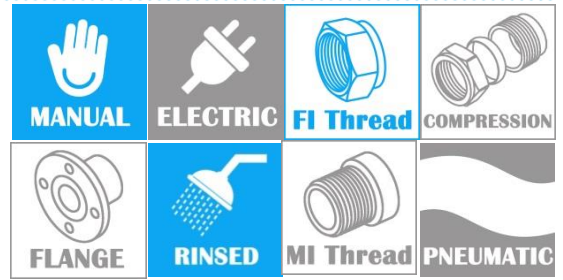


QUICK TURN ACTION WALL SINK TAP

COMPLY WITH BS EN200:2008
 BSEN248:2002
 AS/NZS4020:2005
 SS375 PART 1



SECTION VIEW

COMPONENT PARTS		
ITEM	PARTS	MATERIAL
1	Blank Cap	ABS
2	Handle Screw	Brass
3	Washer	Brass
4	Handle	Brass
5	Nut	Brass
6	Piston	Ceramic+ Brass
7	Body	Brass
8	Decorative cover	Stainless Steel
9	O-Ring	NBR
10	Seal joint	Brass
11	Connector Nut	Brass
12	Circular Tube	Brass
13	Outlet Assembly	Rubber/ Brass

STANDARD SPECIFICATIONS	
Nominal pressure	0.6MPa
Working Medium	Water
Working Temperature	t ≤ 90 °C

SPECIFICATIONS

SKU	G (mm)	H (mm)	A (mm)	L (mm)	WEIGHT (Kg)	PCS/CTN
NXG5	1/2" BSP	100	153	182	0.420	40