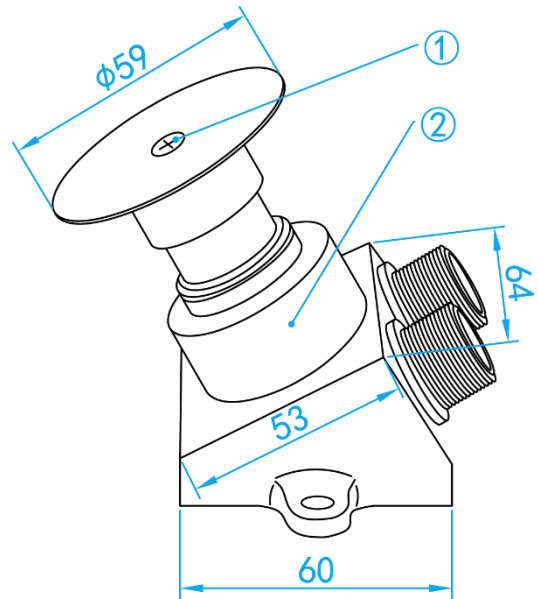
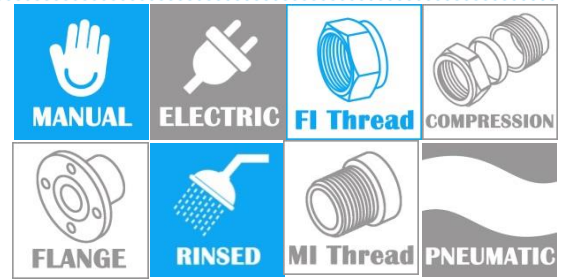


# FOOT OPERATED VALVE

(Suitable for food processes & hospitals)



3D VIEW

### COMPONENT PARTS

ITEM	PARTS	MATERIAL
1	Nut	AISI304
2	Body	DZR Brass
3	O-ring	EPDM

### SPECIFICATIONS

SKU	Inlet (inch)	Outlet (inch)	Delay Time (sec)	Working Pressure (Bar)	WEIGHT (Kg)	PCS/CTN
DATNFV	1/2" BSP	1/2" BSP	3 - 7	10	0.535	20

**\* Compatible with swing spout (NFBSS) and flexible hose (FTN150--)** at kitchen sink or hospital sink.