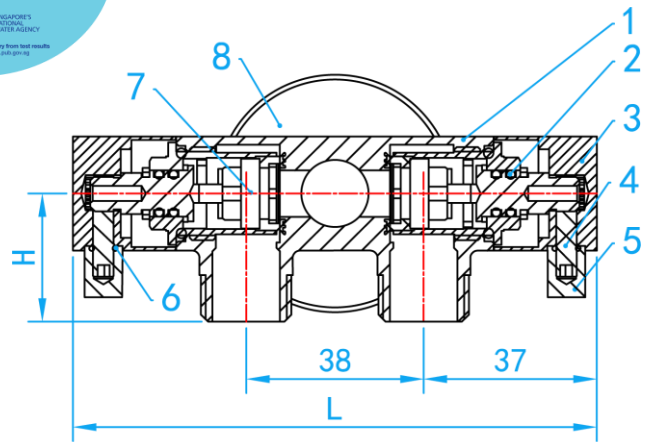
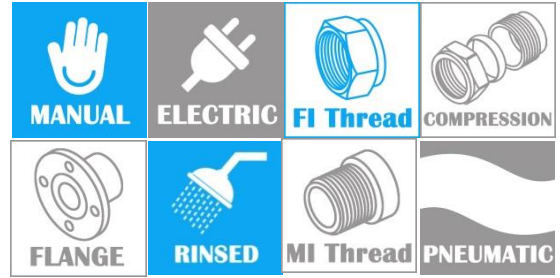
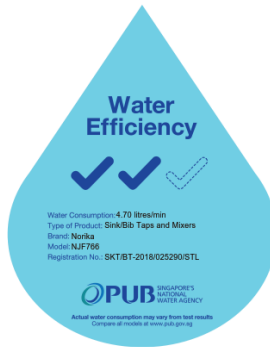
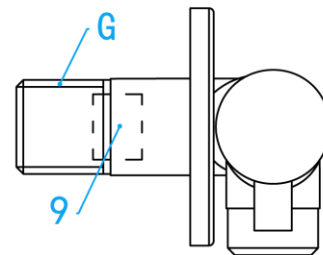


BRASS CHROME PLATED LUXURY TWO WAY TAP

COMPLY WITH BS EN200:2008
BSEN248:2002
AS/NZS:4020:2005
SS375:2001 Part 1



SECTION VIEW



SIDE VIEW

COMPONENT PARTS

ITEM	PARTS	MATERIAL
1	Body	DZR Brass
2	Piston	Ceramic + DZR Brass
3	Handle	Brass
4	Nut	AISI304
5	Lever	Brass
6	O-ring	NBR
7	Piston	Ceramic + DZR Brass
8	Decorative cover	Stainless Steel
9	Flow Regulator	ABS

STANDARD SPECIFICATIONS

Nominal pressure	1.0MPa
Working Medium	Water
Working Temperature	≤ 90 °C

SPECIFICATIONS

SKU	G (mm)	L (mm)	H (mm)	WEIGHT (Kg)	PCS/CTN
NJF766	1/2" BSP	112	30	0.412	60