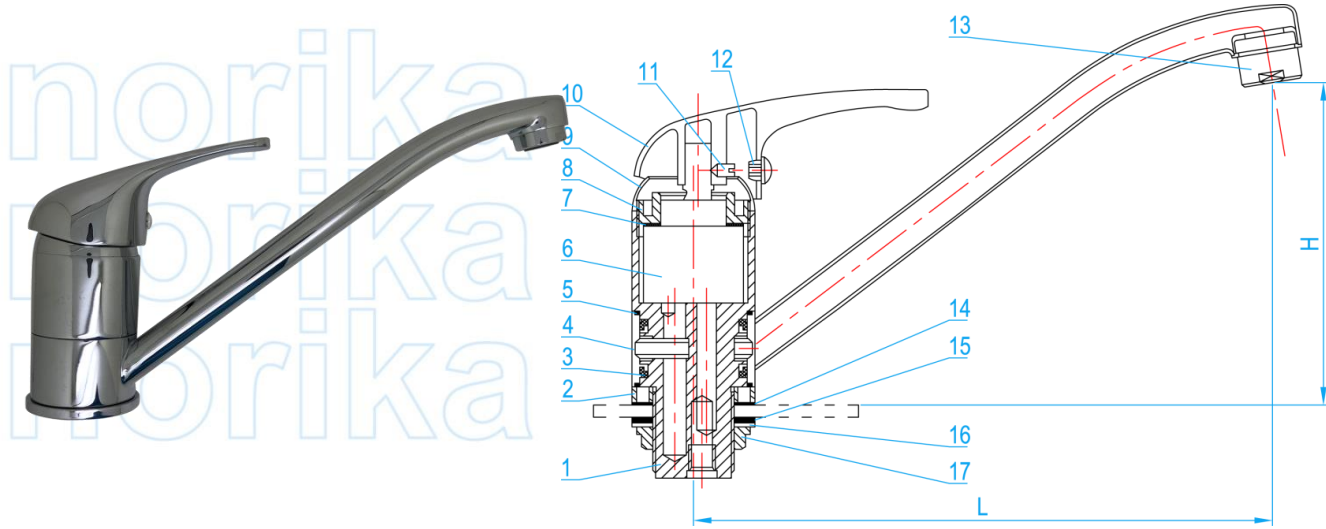


# SINGLE LEVER SINK MIXER

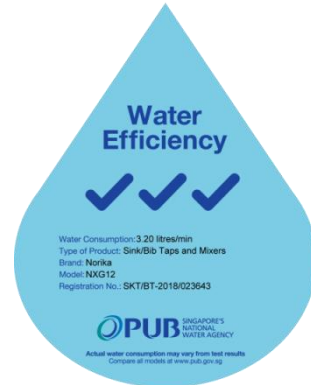
COMPLY WITH BSEN817:2008



SECTION VIEW

COMPONENT PARTS

ITEM	PARTS	MATERIAL
1	Body	Brass
2	Lock Nut	Brass
3	U-Ring	NBR
4	Long Neck Component	Brass
5	Resistant Gasket	PTFE
6	Piston	Ceramic + Brass
7	Gasket	PE
8	Gland Nut	Brass
9	Ornament	Brass
10	Handle	Kirsite
11	Handle Screw	Stainless Steel
12	Blank Cap	ABS
13	Outlet Assembly	Rubber/ Brass
14	Gasket	NBR
15	Gasket	NBR
16	Gasket	PE
17	Nut	Brass



STANDARD SPECIFICATIONS

Nominal pressure	0.6MPa
Working Medium	Water
Working Temperature	$t \leq 110\text{ }^{\circ}\text{C}$

SPECIFICATIONS

STOCK CODE	L (mm)	H (mm)	WEIGHT (Kg)
NXG12	227	125	1.055