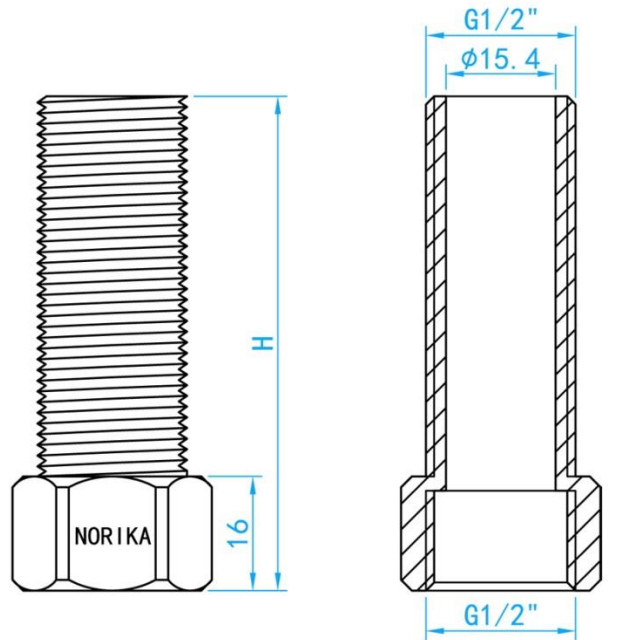
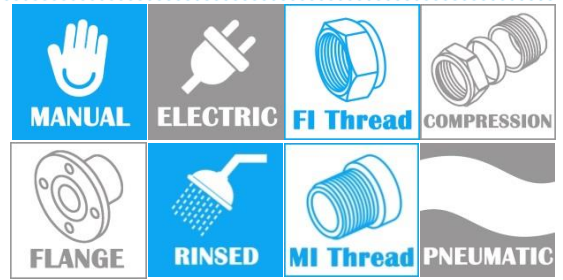


# BRASS PROLONGATED NIPPLE



SIDE VIEW

CROSS SECTION VIEW

## COMPONENT PARTS

PARTS	MATERIAL
Prolongated Nipple	DZR Brass

## DIMENSIONS

SKU	H [mm]	WEIGHT (Kg)	PCS/CTN
PGN15025MF	25	0.043	600
PGN15035MF	35	0.053	500
PGN15045MF	45	0.063	320
PGN15055MF	55	0.073	300
PGN15065MF	65	0.083	200
PGN15075MF	75	0.093	230
PGN15080MF	80	0.098	100
PGN15100MF	100	0.110	160