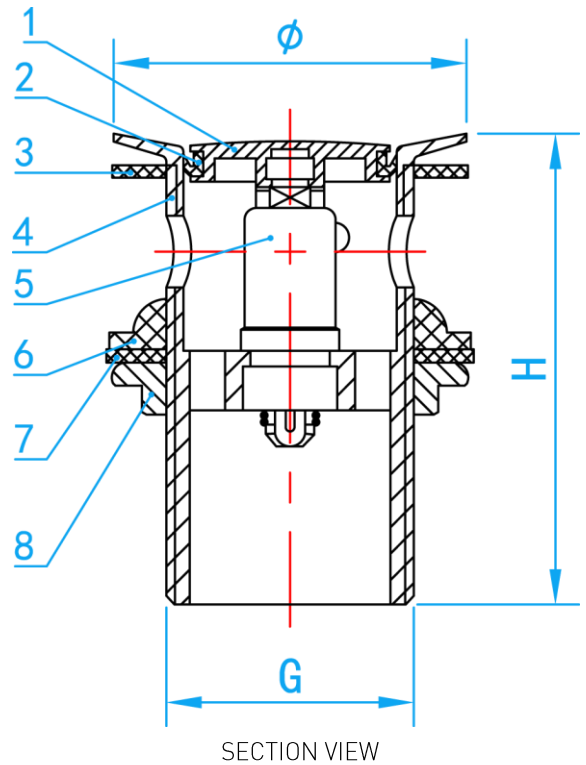
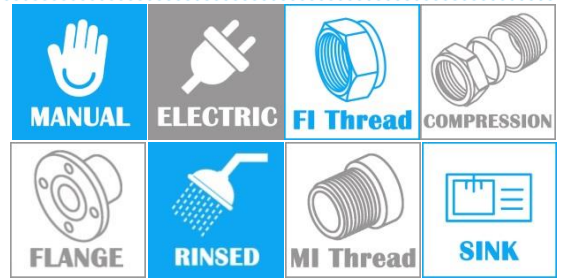


BRASS CHROME PLATED BASIN PUSH DOWN WASTE



COMPONENT PARTS

ITEM	PARTS	MATERIAL
1	Stopper	Brass
2	V -Ring	NBR
3	Washer	NBR
4	Valve Pocket	Brass
5	Piston	Brass
6	Gasket	NBR
7	Washer	Polyethylene
8	Nut	Brass

SPECIFICATIONS

SKU	G (mm)	Ø (mm)	H (mm)	OVER FLOW	WEIGHT (Kg)	PCS/CTN
NMP6	1-1/4" BSP	60	70	With	0.215	50
NMP6A	1-1/4" BSP	60	70	Without	0.215	50