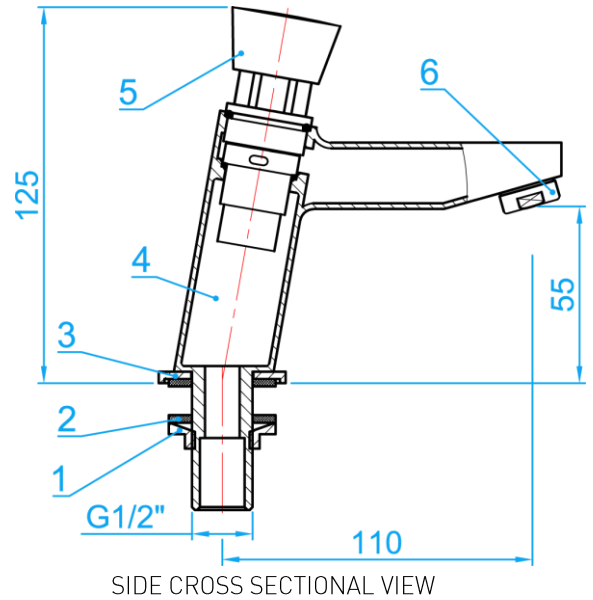
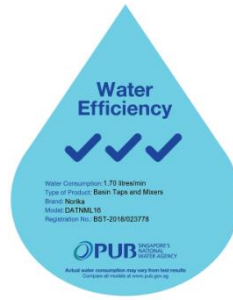


PRESSMATIC SELF CLOSING EXPOSED BASIN TAP

COMPLY WITH BSEN200:2008
 BSEN248:2002
 AS/NZS:4020:1998
 SS375:2001 Part 1



COMPONENT PARTS

ITEM	PARTS	MATERIAL
1	Nut	Brass
2	Gasket	NBR
3	Gasket	Brass
4	Body	DZR Brass
5	Piston	PPS/ Brass/ EPDM/ NBR
6	Bubbler Assembly	Brass/ EPDM/ POM

CHARACTERISTIC

- Push-button tap with delayed shut-off action.
- Anti-liming, self-cleaning mechanism.
- Vandal-proof flow-control.

STANDARD SPECIFICATIONS

Nominal pressure	1.0 MPa
Working Medium	Water
Working Temperature	0 °C~90 °C

STANDARD SPECIFICATIONS

SKU	WATER CONSUMPTION	DELAY TIME	APPLICABLE WATER PRESSURE	WEIGHT (kg)	PCS/CTN
DATNML16	1.5 ~ 2L/ Min	2s ≤ t ≤ 4s	0.05 ~0.8MPa	0.585	30