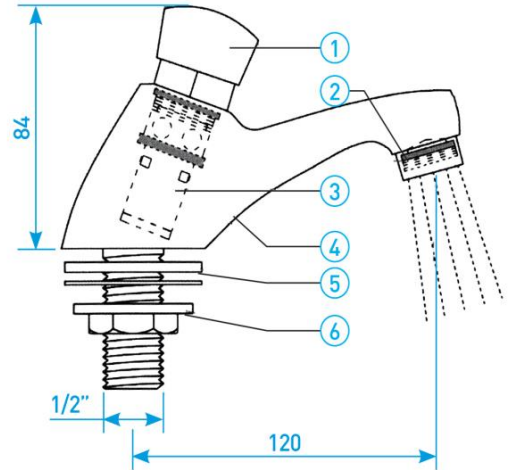
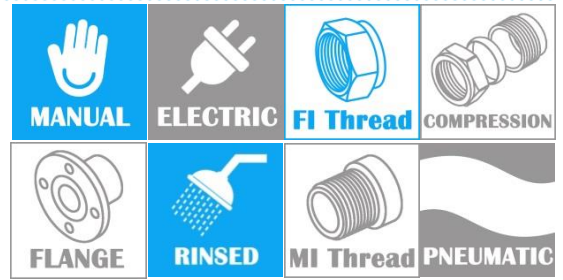
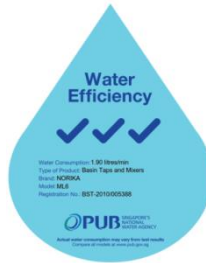


DELAY ACTION BASIN FAUCET

COMPLY WITH BSEN5412:1996
 SS448 PART3:1998
 BSEN248:2002
 AS/ NZS:4020:1999
 SS375:2001



SIDE CROSS SECTIONAL VIEW

CHARACTERISTIC

- Push-button tap with delayed shut-off action.
- Anti-liming, self-cleaning mechanism.
- Vandal-proof flow-control.

COMPONENT PARTS

ITEM	PARTS	MATERIAL
1	Push Cap	Brass
2	Flow Regulator	ABS
3	Piston	Brass
4	Body	DZR Brass
5	Washer	Teflon
6	Nut	DZR Brass

STANDARD SPECIFICATIONS

SKU	WATER CONSUMPTION	DELAY TIME	APPLICABLE WATER PRESSURE	WEIGHT [kg]	PCS/CTN
DATNML6	1.5L ~ 2L per min	2s ≤ t ≤ 4s	0.05 ~ 0.8MPa	0.54	30